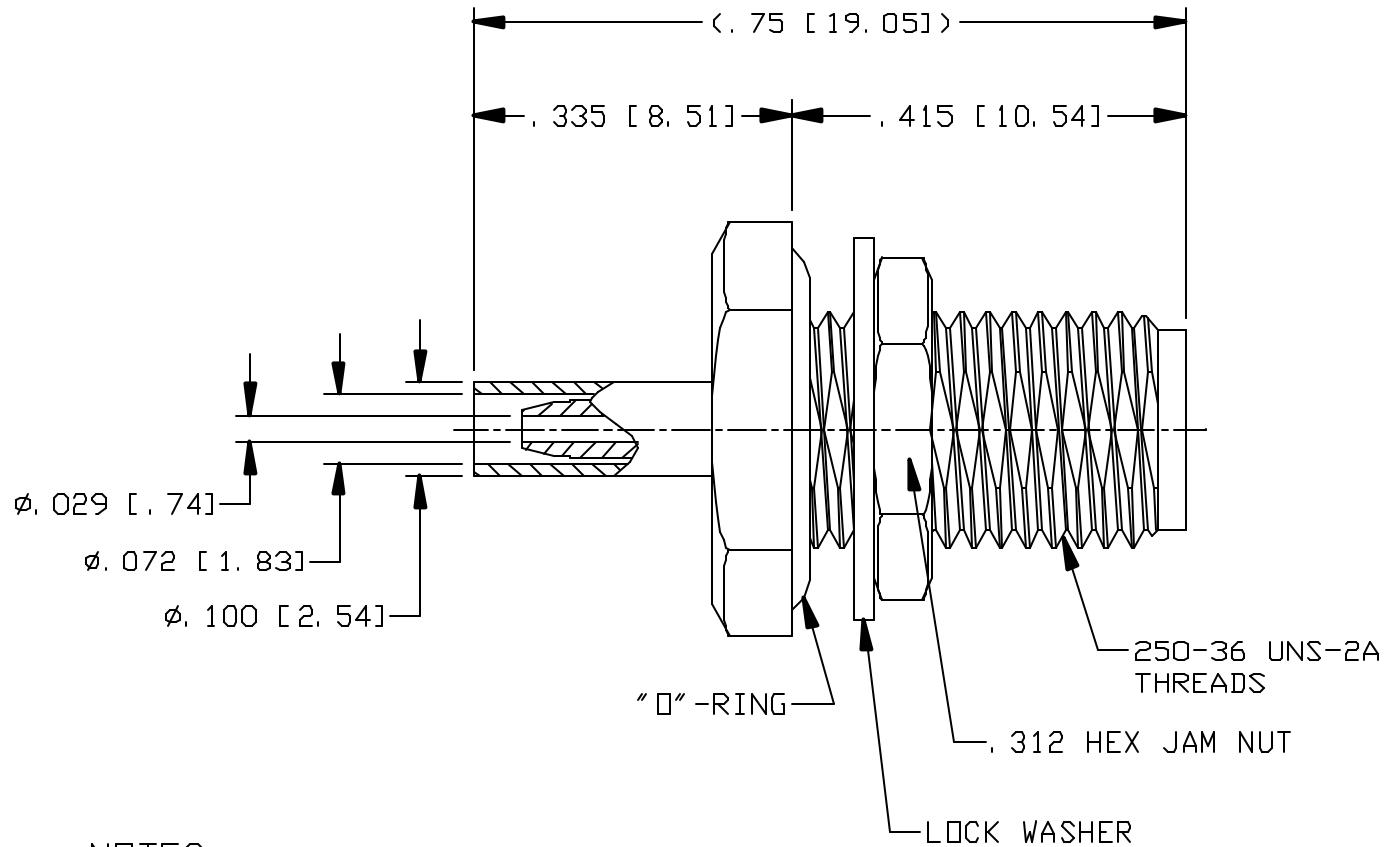


CAD DRAWING - NO MANUAL REVISIONS




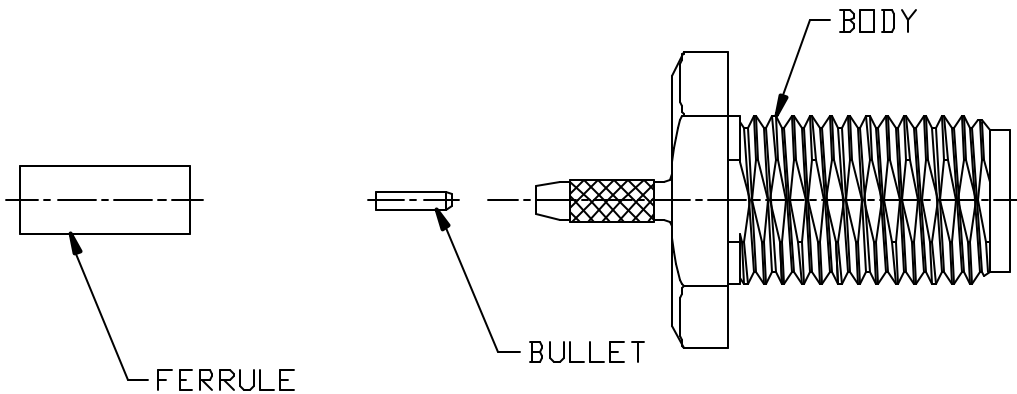
NOTES:

1. DESIGN AND INTERFACE PER I. D. S. -20.
2. BULLET, JAM NUT, LOCK WASHER, "O"-RING & FERRULE ARE SHIPPED LOOSE.
3. RATED TO IP67.
4. MOUNTING HOLE PER DS-16A, FIGURE 3.
5. ACCOMMODATES HIROSE 068 (.13mm) OR EQUIVALENT CABLES.
6. CRIMP USING .081 HEX DIE (DANIELS Y1547P).

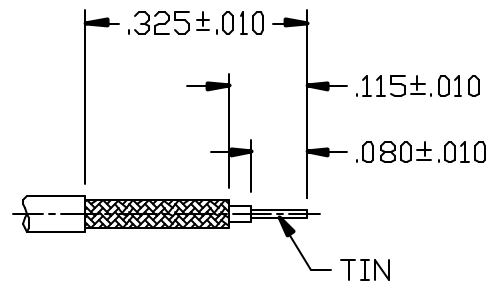
				PALCO CONNECTOR 22 GREAT HILL RD., NAUGATUCK, CT 06770 UNLESS OTHERWISE SPECIFIED, PALCO WORKMANSHIP STANDARDS APPLY TOLERANCES ON: DECIMALS: XX ± .01 .XXX ± .005 ANGLES ±1/2° 32' DIMENSIONS IN INCHES OR (METRIC) DO NOT SCALE PRINTS	DRAWN JEM	CHECKED JEM	ENGINEER JEM	APPROVED JEM	FSCM 58167
						DESCRIPTION SMA WATERPROOF REAR MOUNT BULKHEAD JACK			
A	PER ECN 11569	02/07/13	JEM		DATE 11/15/12	DRAWING NO. 22-1965-0298		PLATING OPT. G, N	
REV.	DESCRIPTION	DATE	APPR.	CATALOG ITEM					

THE INFORMATION IN THIS DOCUMENT IS CONFIDENTIAL AND PROPRIETARY AND MAY NOT BE USED FOR ANY PURPOSE WITHOUT THE WRITTEN CONSENT OF PALCO.

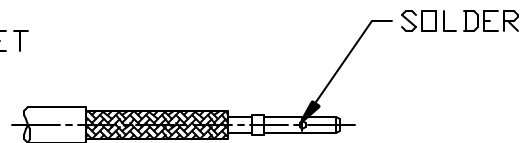
CABLE ASSEMBLY PROCEDURE		 22 GREAT HILL ROAD, NAUGATUCK, CT. 06770 PHONE: (203) 729-9090 FAX: (203) 723-1794	REV	DESCRIPTION	DATE	APPR
P/N	22-1965-0298		01	PRELIMINARY	11/15/12	JEM
PAGE 1 OF 1	DATE: 11/15/12		A	PER ECN 11569	02/07/13	JEM
DRAWN: JEM	APPROVED: JEM					
FOR USE WITH HIROSE 1.13mm CABLE						



STEP 1
 TRIM CABLE TO DIMENSIONS
 SHOWN. TIN CENTER CONDUCTOR.
 CLEAN.



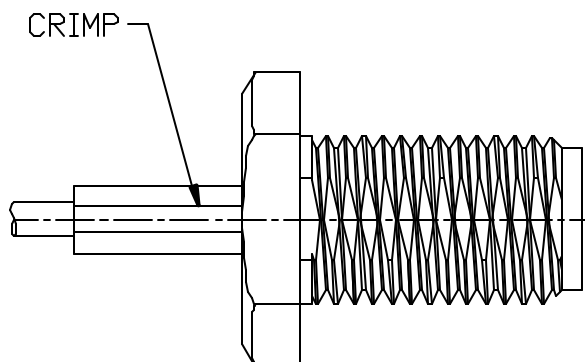
STEP 2
 SLIDE BULLET ONTO
 CENTER CONDUCTOR. SOLDER BULLET
 TO CENTER CONDUCTOR. CLEAN
 SOLDER JOINT.



STEP 3
 SLIDE FERRULE ONTO CABLE.
 FLARE BRAID BY ROTATING
 CABLE DIELECTRIC.



STEP 4
 INSERT CABLE INTO BODY
 UNTIL CABLE BOTTOMS.
 SLIDE FERRULE UP UNTIL
 IT BOTTOM ON SHOULDER.
 CRIMP USING .081 HEX
 DIE (DANIELS Y1547P).



INTERFACE DESIGN STANDARD		 22 GREAT HILL ROAD, NAUGATUCK, CT. 06770 PHONE: (203) 729-9090 FAX: (203) 723-1794	REV	DESCRIPTION	DATE	APPR
IDS-22			D	PER ECN 5828	02/12/01	HN
PAGE 1 OF 2	DATE: 03/05/97		E	PER ECN 6802	11/07/02	HN
DRAWN: JEM	APPROVED: HN		F	PER ECN 7036	03/31/03	HN
		G	PER ECN 8609	08/02/06	JEM	

DESCRIPTION: SMA 22 SERIES (BRASS)

MECHANICAL

MATERIALS

BODIES, NUTS- BRASS 1/2 HD, PER ASTM-B-16, ALLOY 36000.
 INSULATORS - TEFLON (PTFE) PER ASTM-D-1457.
 CONTACTS, MALE AND FEMALE- BERYLLIUM COPPER PER ASTM-B-196.
 GASKETS - SILICONE RUBBER PER ZZ-R-765.

FINISHES (ADD LETTER TO END OF PART NUMBER)

CONTACTS - .00005 GOLD OVER .00005 NICKEL PER MIL-G-45204
 TO MEET THE ENVIRONMENTAL REQUIREMENTS OF MIL-C-39012.
 OTHER METAL PARTS - .000020 GOLD PLATED
 TO MEET THE ENVIRONMENTAL REQUIREMENTS OF MIL-C-39012.

MATING CHARACTERISTICS

CENTER CONTACT PIN AND SOCKET PER MIL-C-39012 (1 OZ. MIN) (2 LBS. MAX)
 FORCE TO ENGAGE /DISENGAGE- 2 IN.-LBS. MAX. TORQUE.
 COUPLING NUT RETENTION - 60 LBS. MIN.
 CONNECTOR DURABILITY - 100 CYCLES PER MIL-PRF-39012.

	WALL THICKNESS OF BODY	
	THICK	THIN
COUPLING PROOF TORQUE, IN.-LBS	15 MIN.	7-10
RECOMMENDED TORQUE, IN.-LBS.	7-10	5-6.5

ELECTRICALS

IMPEDANCE: 50 OHMS.
 FREQUENCY RANGE: DC TO 18 GHz.
 INSULATION RESISTANCE: 5000 MEGOHMS.
 TEMPERATURE RATING: -65°C TO +165°C

	<u>RG 402 (141)</u> <u>SEMI-RIGID</u>	<u>RG 405 (085)</u> <u>SEMI-RIGID</u>
DWV -	1,500 VOLTS RMS.	1,000 VOLTS RMS.
RF HIGH POTENTIAL -	1,000 VOLTS RMS.	670 VOLTS RMS.
CONTACT RESISTANCE -		
CENTER CONTACT:	2.0 MILLIOHMS MAX.	2.0 MILLIOHMS MAX.
OUTER CONTACT:	2.0 MILLIOHMS MAX.	2.0 MILLIOHMS MAX.
OUTER CONTACT TO CABLE:	0.5 MILLIOHMS MAX.	0.5 MILLIOHMS MAX.
VSWR -		
DC - 18.0 GHz:	1.05 + .005F (GHz)	1.05 + .005F (GHz)
CORONA LEVEL -	375 VOLTS MIN.	335 VOLTS MIN.
R.F. LEAKAGE -	-90 dB MIN.	-90 dB MIN.
INSERTION LOSS -	.03 x √F (GHz)	.03 x √F (GHz)

ENVIRONMENTAL

VIBRATION: MIL-STD-202, METHOD 204, TEST CONDITION D.
 SHOCK: MIL-STD-202, METHOD 213, TEST CONDITION I.
 THERMAL SHOCK: MIL-STD-202, METHOD 107, TEST CONDITION B.
 CORROSION: MIL-STD-202, METHOD 101, TEST CONDITION B, 5% SALT SOLUTION.
 MOISTURE RESISTANCE: MIL-STD-202, METHOD 106, OMIT STEP 7B.

REV	DESCRIPTION	DATE	APPR
D	PER ECN 5828	02/12/01	HN
E	PER ECN 6802	11/07/02	HN
F	PER ECN 7036	03/31/03	HN
G	PER ECN 8609	08/02/06	JEM

DESCRIPTION: SMA 22 SERIES (BRASS)

