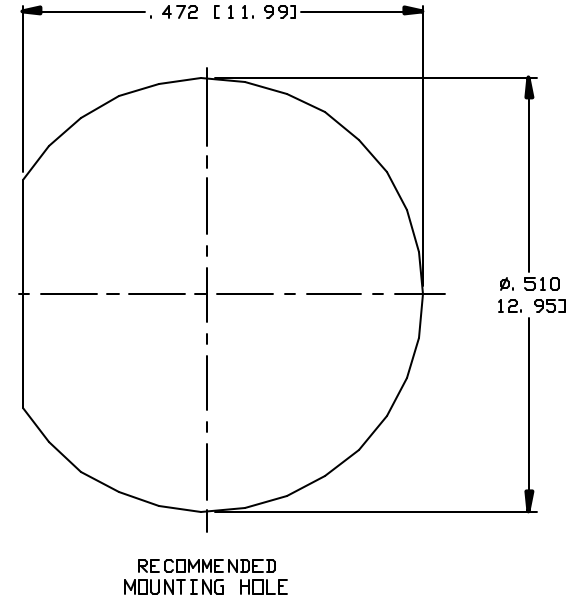
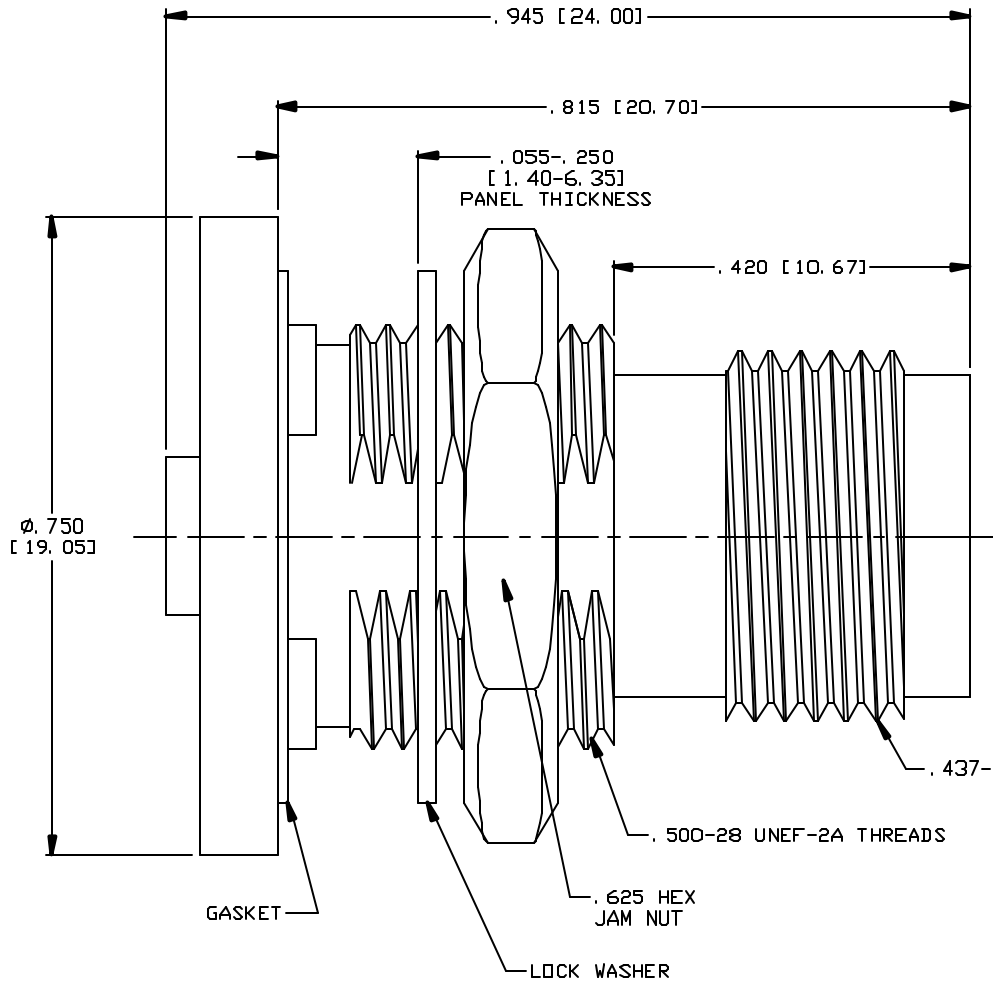


CAD DRAWING - NO MANUAL REVISIONS



NOTES:

- DESIGN AND INTERFACE TNC PER I. D. S. -41, AND MMCX PER I. D. S. -33.
- MARKED: 3341-1115-00N.
- JAM NUT, LOCK WASHER & 'O'-RING SHIPPED LOOSE.
- IP67 WHEN IN MATED OR UN-MATED CONDITION.

PARTS	MATERIALS	FINISH
BODY & JAM NUT	BRASS PER ASTM-B-16	NICKEL PER DQ-N-290, CLASS 1, GRADE G
CONTACT	BE. CU. ASTM-B-196	.000030 GOLD
LOCK WASHER	BRONZE ASTM-B-591	NICKEL PER DQ-N-290, CLASS 1, GRADE G
INSULATOR	TEFLON, ASTM-D-1710	
O-RINGS	SILICON RUBBER, PER ASTM-D-2000	

REV.	DESCRIPTION	DATE	APPR.
A	PER ECN 11431	08/31/12	MS

# PALCO CONNECTOR

22 GREAT HILL RD., NAUGATUCK, CT 06770


UNLESS OTHERWISE SPECIFIED, PALCO WORKMANSHIP STANDARDS APPLY

TOLERANCES ON DECIMALS: XX ± .01 .XXX ± .005 ANGLES ±1/2° 32'

DIMENSIONS IN INCHES OR <METRIC> DO NOT SCALE PRINTS

CATALOG ITEM

DRAWN	CHECKED	ENGINEER	APPROVED	FSCM
JEM	MS	JEM	MS	58167
DATE		DRAWING NO.		PLATING OPT.
04/28/12		3341-1115-00		N
DESCRIPTION REAR MOUNT ADAPTOR TNC JACK TO MMCX JACK				

INTERFACE DESIGN STANDARD		 22 GREAT HILL ROAD, NAUGATUCK, CT. 06770 PHONE: (203) 729-9090 FAX: (203) 723-1794	REV	DESCRIPTION	DATE	APPR
IDS-33			C	PER ECN 4954	06/23/99	HN
PAGE 1 OF 2	DATE: 02/28/94		D	PER ECN 8629	08/23/06	JM
DRAWN: JEM	APPROVED: HN		E	PER ECN 9615	11/07/08	JEM
		F	PER ECN 10914	03/30/11	JEM	

DESCRIPTION: 33 SERIES, MMCX, PER BS EN 122340.

## MECHANICAL

### MATERIALS

BODIES AND MALE CONTACTS - BRASS PER ASTM-B-16.  
FERRULES AND CAPS - BRASS PER ASTM-B-16.  
INSULATORS - TEFLON (PTFE) PER ASTM-D-1710.  
FEMALE CONTACTS AND CLIP RING - BERYLLIUM COPPER PER ASTM-B-196.

### FINISHES (ADD LETTER TO END OF PART NUMBER)

GOLD PER MIL-G-45204.  
COPPER PER MIL-C-14550.  
NICKEL PER QQ-N-290.  
BODIES AND CONTACTS: "A" - .000050 MIN. GOLD OVER NICKEL.  
BODIES AND CONTACTS: "B" - .000030 MIN. GOLD OVER NICKEL.  
OTHER METAL PARTS:  
GOLD OR NICKEL PLATED TO MEET THE ENVIRONMENTAL REQUIREMENTS.

## MATING CHARACTERISTICS

ENGAGEMENT: 3.5 LBS. MAX.  
DISENGAGEMENT: 1.3 TO 3.4 LBS.  
DURABILITY: 500 CYCLES.  
CONFORMS TO CECC 22 340 STANDARDS.

## ELECTRICALS

IMPEDANCE: 50 OHMS.  
FREQUENCY RANGE: DC TO 6 GHz.  
VOLTAGE RATING: 170 VOLTS RMS.  
INSULATION RESISTANCE: 5000 MEGOHMS MIN.  
TEMPERATURE RATING: -65°C TO +165°C  
DMV: 500 VOLTS RMS.  
RF LEAKAGE: 55 dB MIN. @ 1 GHz.  
CONTACT RESISTANCE: CENTER CONTACT: 5.0 MILLIOHMS.  
OUTER CONTACT: 3.0 MILLIOHMS.  
VSWR: 1.20 TYP. FOR STRAIGHT CONNECTORS.  
1.30 TYP. FOR RIGHT ANGLE CONNECTORS.  
INSERTION LOSS: 0.2 dB MAX. @ 1 GHz.

## ENVIRONMENTAL

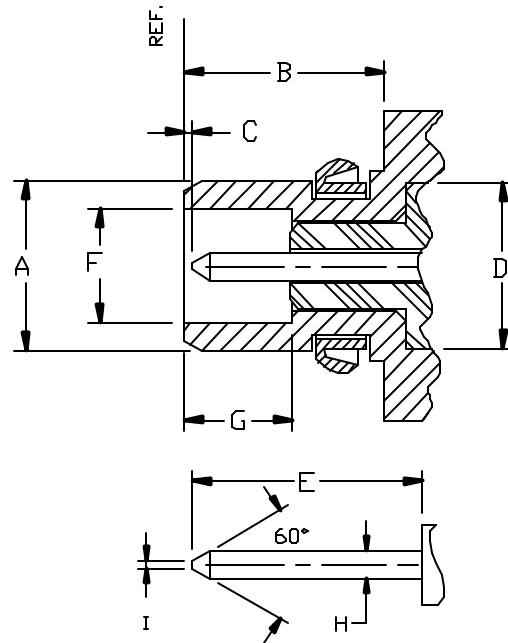
VIBRATION: MIL-STD-202, METHOD 204, TEST CONDITION D.  
SHOCK: MIL-STD-202, METHOD 213, TEST CONDITION A.  
THERMAL SHOCK: MIL-STD-202, METHOD 107, TEST CONDITION C.  
CORROSION: MIL-STD-202, METHOD 101, TEST CONDITION B.

REV	DESCRIPTION	DATE	APPR
C	PER ECN 4954	06/23/99	HN
D	PER ECN 8629	08/23/06	JM
E	PER ECN 9615	11/07/08	JEM
F	PER ECN 10914	03/30/11	JEM

DESCRIPTION: 33 SERIES, MMCX, PER BS EN 122340.

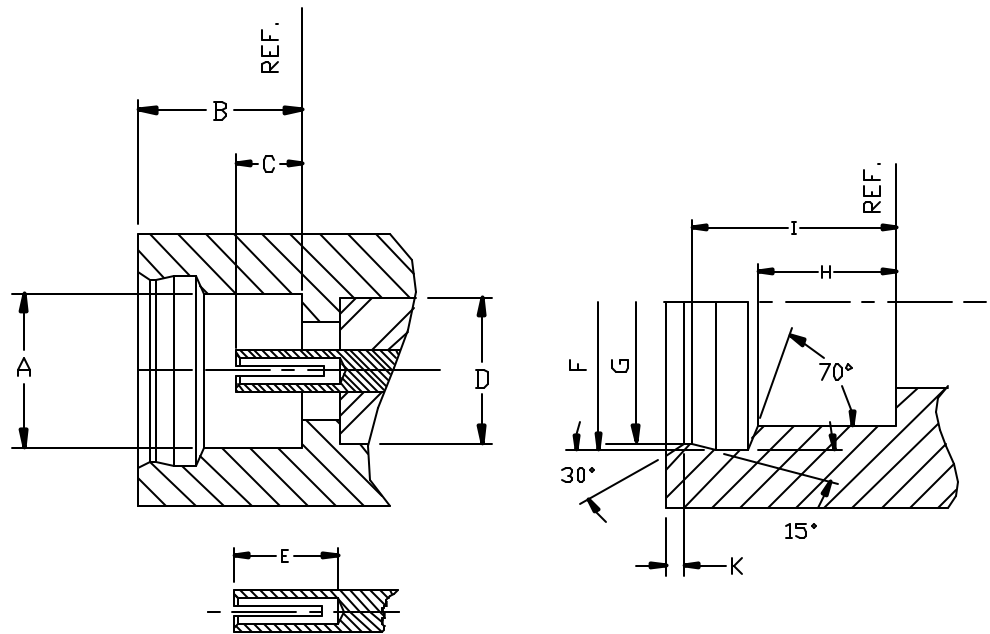
PLUG


	MIN.	MAX.
A	—	∅.094
B	.106	—
C	.000	.010
D	∅.091	∅.093
E	—	.124
F	∅.062	∅.064
G	.057	—
H	∅.015	∅.017
I	—	∅.008



JACK

	MIN.	MAX.
A	∅.095	—
B	.102	—
C	.035	.047
D	∅.091	∅.093
E	.055	—
F	∅.118	∅.120
G	∅.113	∅.114
H	.062	.064
I	.091	.092
K	—	.009



INTERFACE DESIGN STANDARD		 22 GREAT HILL ROAD, NAUGATUCK, CT. 06770 PHONE: (203) 729-9090 FAX: (203) 723-1794	REV	DESCRIPTION	DATE	APPR
IDS-41			A	PER ECN 5421	03/21/00	HN
PAGE 1 OF 3	DATE: 02/28/94		B	PER ECN 7427	05/07/04	JM
DRAWN: EK	APPROVED: JEM		C	PER ECN 9024	08/06/07	JEM
		D	PER ECN 10095	11/30/09	JEM	

DESCRIPTION: TNC SERIES

### MECHANICAL

#### MATERIALS

BODIES, FITTINGS, MALE CONTACTS - BRASS PER ASTM-B-16.  
 INSULATORS - TEFLON (PTFE) PER ASTM-D-1457.  
 CONTACTS, FEMALE AND OUTER - BERYLLIUM COPPER PER ASTM-B-196.  
 GASKETS - SILICONE RUBBER PER ZZ-R-765.

#### FINISHES (ADD LETTER TO END OF PART NUMBER)

BODIES, OUTER CONTACTS, FITTINGS - SILVER PER QQ-S-365 (S SUFFIX)  
 NICKEL - PER QQ-N-290 (N SUFFIX)  
 CONTACTS - GOLD PLATED .000050 MIN. PER MIL-G-45204 OVER  
 .00010 MIN. OF COPPER PER MIL-C-14550.  
 OTHER METAL PARTS - SILVER OR NICKEL PLATED TO MEET THE ENVIRONMENTAL  
 REQUIREMENTS.

### MATING CHARACTERISTICS

PER MIL-C-39012.  
 FORCE TO ENGAGE /DISENGAGE- TORQUE - 2 IN-LBS. MAX.  
 COUPLING NUT RETENTION - AXIAL FORCE 100 LBS. MIN.,  
 TORQUE - 15 IN-LBS. MIN.  
 DURABILITY: 500 CYCLES PER MIL-C-39012.

### ELECTRICALS

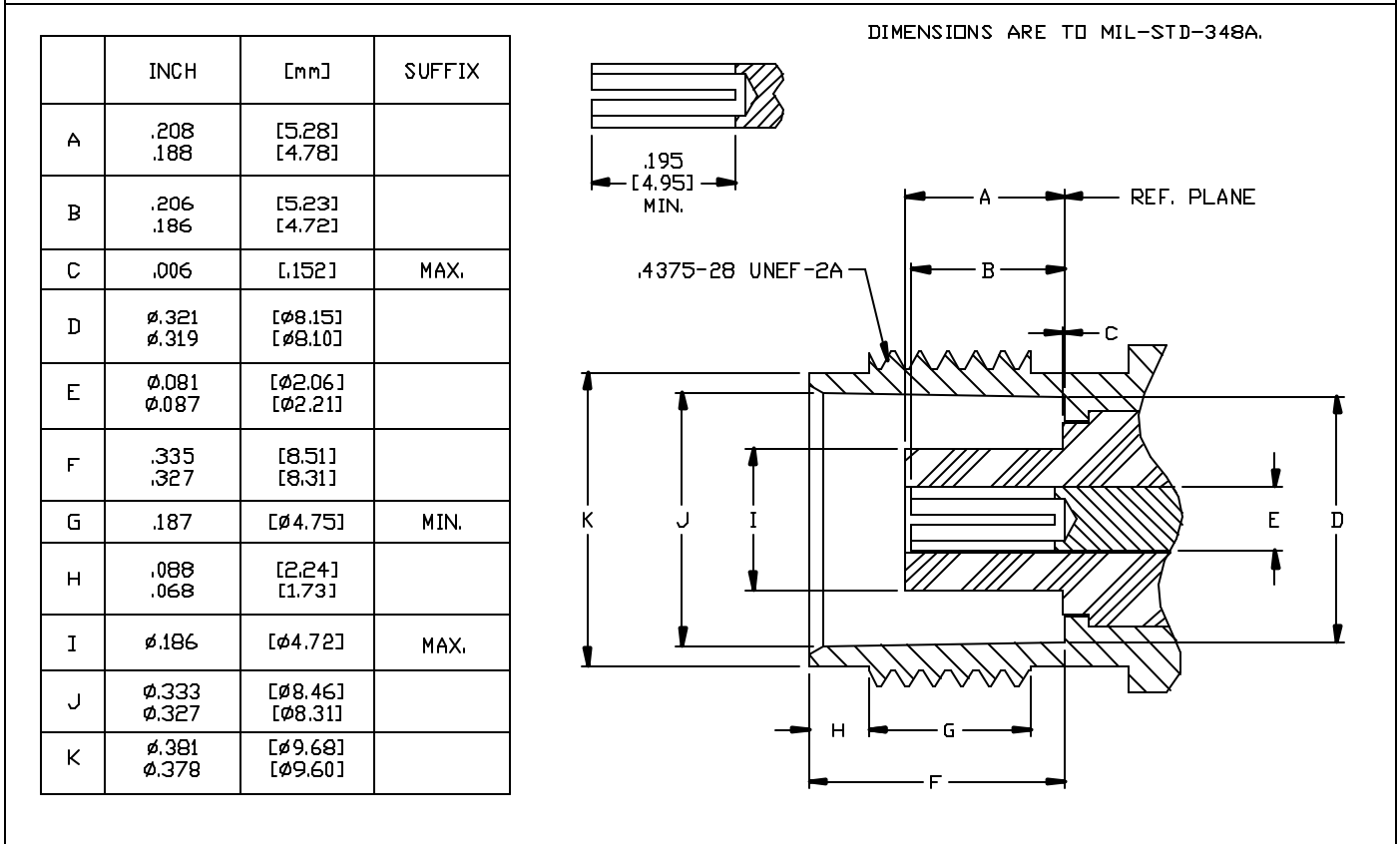
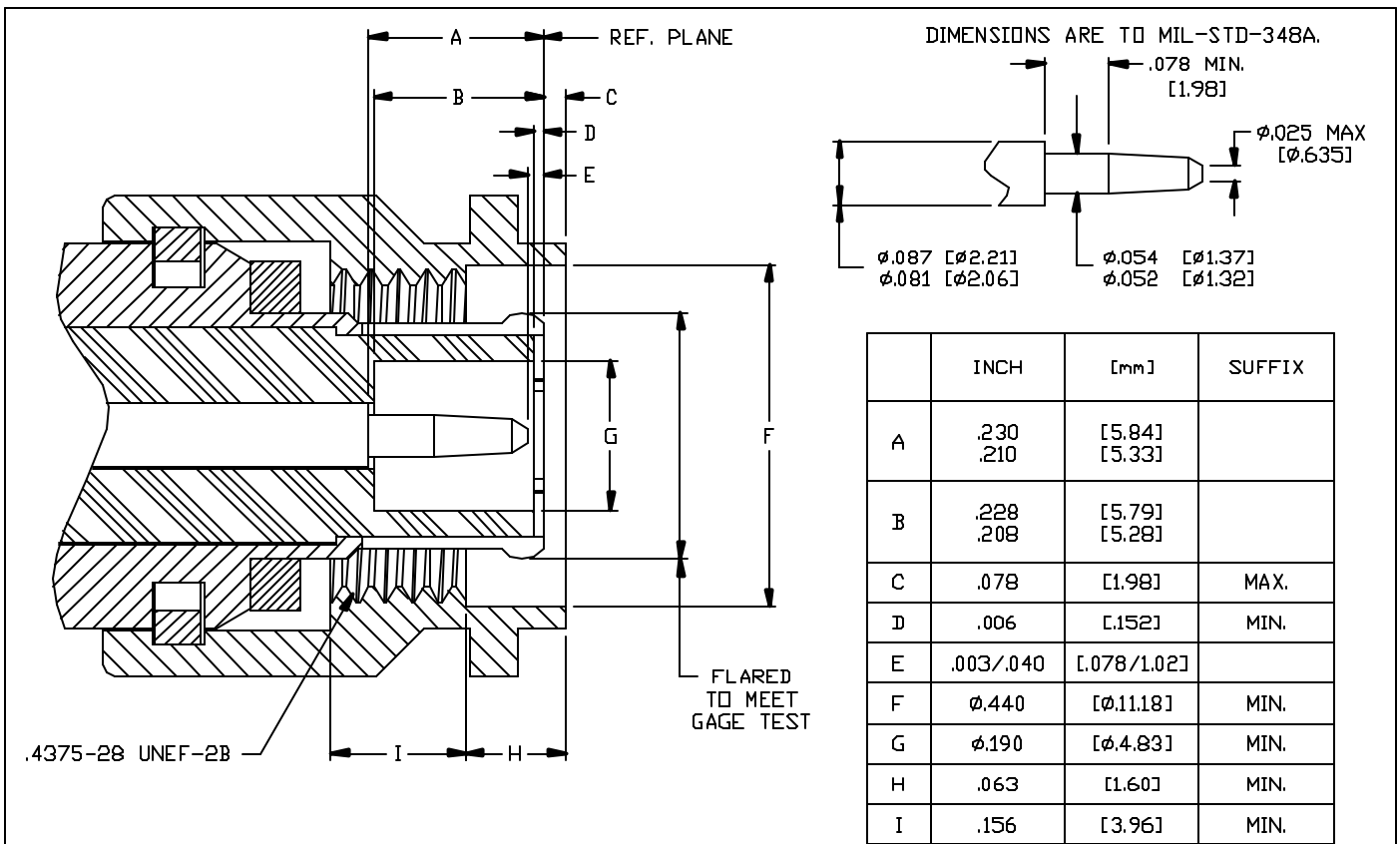
IMPEDANCE: 50 OHMS.  
 FREQUENCY RANGE: DC TO 11 GHz (CONNECTOR PERFORMANCE ONLY;  
 DEPENDENT OF CABLE).  
 INSULATION RESISTANCE: 5000 MEGOHMS, MIN..  
 TEMPERATURE RATING: -65°C TO +165°C.  
 DWV: 1500 VOLTS AT SEA LEVEL.  
 CONTACT RESISTANCE: CENTER CONTACT - 1.5 MILLIOHMS;  
 OUTER CONTACT - 0.2 MILLIOHMS.  
 VSWR: 1.30 MAX.  
 R.F. LEAKAGE: -60 dB MIN. FROM 2 TO 3 GHz.  
 INSERTION LOSS: 0.18 dB MAX. AT 9 GHz.

### ENVIRONMENTAL

VIBRATION: MIL-STD-202, METHOD 204, TEST CONDITION B.  
 SHOCK: MIL-STD-202, METHOD 213, TEST CONDITION B.  
 THERMAL SHOCK: MIL-STD-202, METHOD 107, TEST CONDITION B @ 85°C.  
 CORROSION: MIL-STD-202, METHOD 101, TEST CONDITION B.  
 MOISTURE RESISTANCE: MIL-STD-202, METHOD 106,  
 NO MEASUREMENT AT HIGH HUMIDITY.

REV	DESCRIPTION	DATE	APPR
A	PER ECN 5421	03/21/00	HN
B	PER ECN 7427	05/07/04	JM
C	PER ECN 9024	08/06/07	JEM
D	PER ECN 10095	11/30/09	JEM

DESCRIPTION: TNC SERIES



INTERFACE DESIGN STANDARD		<b>PALEO</b> <b>CONNECTOR</b> 22 GREAT HILL ROAD, NAUGATUCK, CT. 06770 PHONE: (203) 729-9090 FAX: (203) 723-1794	REV	DESCRIPTION	DATE	APPR
IDS-41			A	PER ECN 5421	03/21/00	HN
PAGE 3 OF 3	DATE: 02/28/94		B	PER ECN 7427	05/07/04	JM
DRAWN: JEM	APPROVED: HN		C	PER ECN 9024	08/06/07	JEM
		D	PER ECN 10095	11/30/09	JEM	

DESCRIPTION: TNC SERIES

DIMENSIONS ARE TO MIL-STD-348A.

