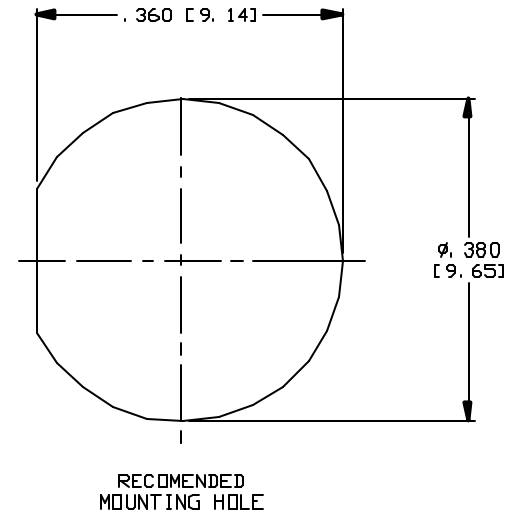
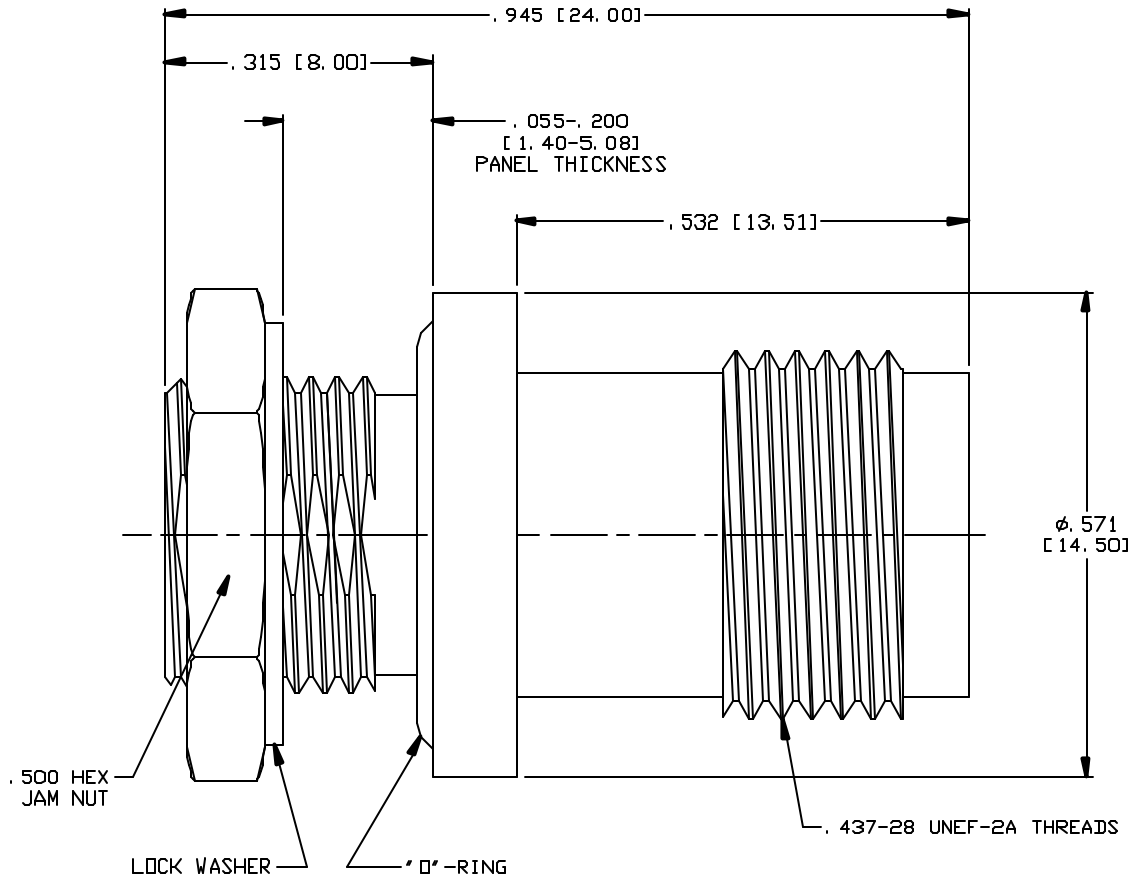


CAD DRAWING - NO MANUAL REVISIONS



- NOTES:
- DESIGN AND INTERFACE TNC PER I. D. S. -42, AND MMCX PER I. D. S. -33.
  - MARKED: 3341-1169-00N.
  - JAM NUT, LOCK WASHER & "O"-RING SHIPPED LOOSE.
  - IP67 WHEN IN THE MATED AND UN-MATED CONDITION.

PARTS	MATERIALS	FINISH
BODY & JAM NUT	BRASS PER ASTM-B-16	NICKEL PER QQ-N-290, CLASS 1, GRADE G
CONTACT	BE. CU. ASTM-B-196	.000030 GOLD
LOCK WASHER	BRONZE ASTM-B-591	NICKEL PER QQ-N-290, CLASS 1, GRADE G
INSULATOR	TEFLON, ASTM-D-1710	
O-RINGS	SILICON RUBBER PER ASTM-D-2000	

REV.	DESCRIPTION	DATE	APPR.
A	PER ECN 11432	09/04/12	MS

# PALCO CONNECTOR

22 GREAT HILL RD., NAUGATUCK, CT 06770

UNLESS OTHERWISE SPECIFIED, PALCO WORKMANSHIP STANDARDS APPLY  
TOLERANCES ON DECIMALS: XX ± .01 .XXX ± .005 ANGLES ± 1/2° 32

DIMENSIONS IN INCHES OR (METRIC) DO NOT SCALE PRINTS

CATALOG ITEM

DRAWN	CHECKED	ENGINEER	APPROVED	FSCM
JEM	MS	JEM	MS	58167
DESCRIPTION FRONT MOUNT ADAPTOR TNC JACK TO MMCX JACK				
DATE	DRAWING NO.	PLATING OPT.		
04/28/12	3341-1169-00	N		

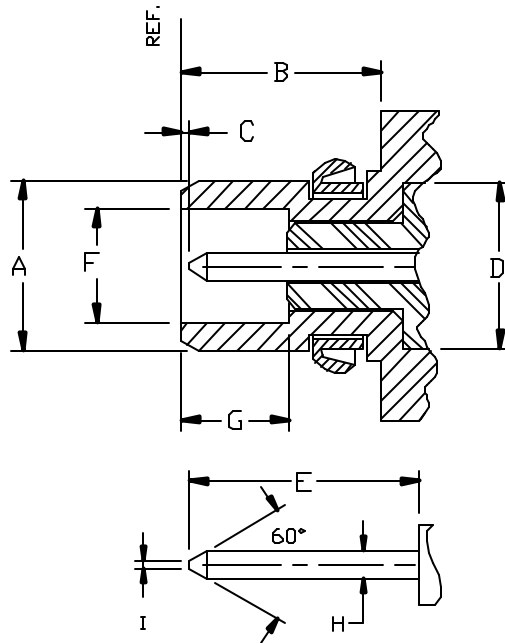


REV	DESCRIPTION	DATE	APPR
C	PER ECN 4954	06/23/99	HN
D	PER ECN 8629	08/23/06	JM
E	PER ECN 9615	11/07/08	JEM
F	PER ECN 10914	03/30/11	JEM

DESCRIPTION: 33 SERIES, MMCX, PER BS EN 122340.

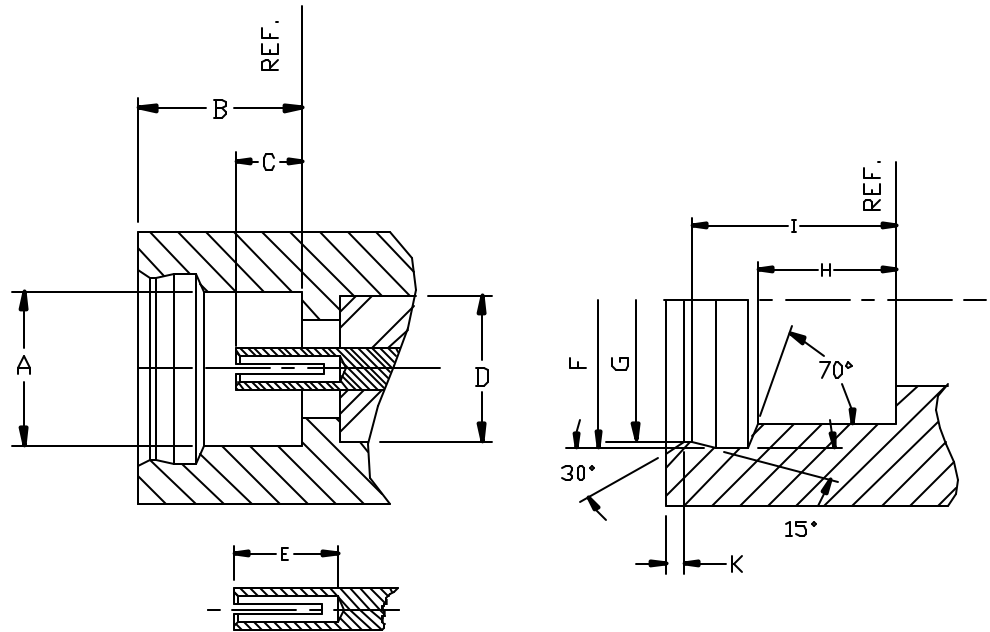
PLUG


	MIN.	MAX.
A	—	∅.094
B	.106	—
C	.000	.010
D	∅.091	∅.093
E	—	.124
F	∅.062	∅.064
G	.057	—
H	∅.015	∅.017
I	—	∅.008



JACK

	MIN.	MAX.
A	∅.095	—
B	.102	—
C	.035	.047
D	∅.091	∅.093
E	.055	—
F	∅.118	∅.120
G	∅.113	∅.114
H	.062	.064
I	.091	.092
K	—	.009



INTERFACE DESIGN STANDARD		 22 GREAT HILL ROAD, NAUGATUCK, CT. 06770 PHONE: (203) 729-9090 FAX: (203) 723-1794	REV	DESCRIPTION	DATE	APPR
IDS-41			A	PER ECN 5421	03/21/00	HN
PAGE 1 OF 3	DATE: 02/28/94		B	PER ECN 7427	05/07/04	JM
DRAWN: EK	APPROVED: JEM		C	PER ECN 9024	08/06/07	JEM
		D	PER ECN 10095	11/30/09	JEM	

DESCRIPTION: TNC SERIES

## MECHANICAL

### MATERIALS

BODIES, FITTINGS, MALE CONTACTS - BRASS PER ASTM-B-16.  
INSULATORS - TEFLON (PTFE) PER ASTM-D-1457.  
CONTACTS, FEMALE AND OUTER - BERYLLIUM COPPER PER ASTM-B-196.  
GASKETS - SILICONE RUBBER PER ZZ-R-765.

### FINISHES (ADD LETTER TO END OF PART NUMBER)

BODIES, OUTER CONTACTS, FITTINGS - SILVER PER QQ-S-365 (S SUFFIX)  
NICKEL - PER QQ-N-290 (N SUFFIX)  
CONTACTS - GOLD PLATED .000050 MIN. PER MIL-G-45204 OVER  
.00010 MIN. OF COPPER PER MIL-C-14550.  
OTHER METAL PARTS - SILVER OR NICKEL PLATED TO MEET THE ENVIRONMENTAL  
REQUIREMENTS.

## MATING CHARACTERISTICS

PER MIL-C-39012.  
FORCE TO ENGAGE /DISENGAGE- TORQUE - 2 IN-LBS. MAX.  
COUPLING NUT RETENTION - AXIAL FORCE 100 LBS. MIN.,  
TORQUE - 15 IN-LBS. MIN.  
DURABILITY: 500 CYCLES PER MIL-C-39012.

## ELECTRICALS

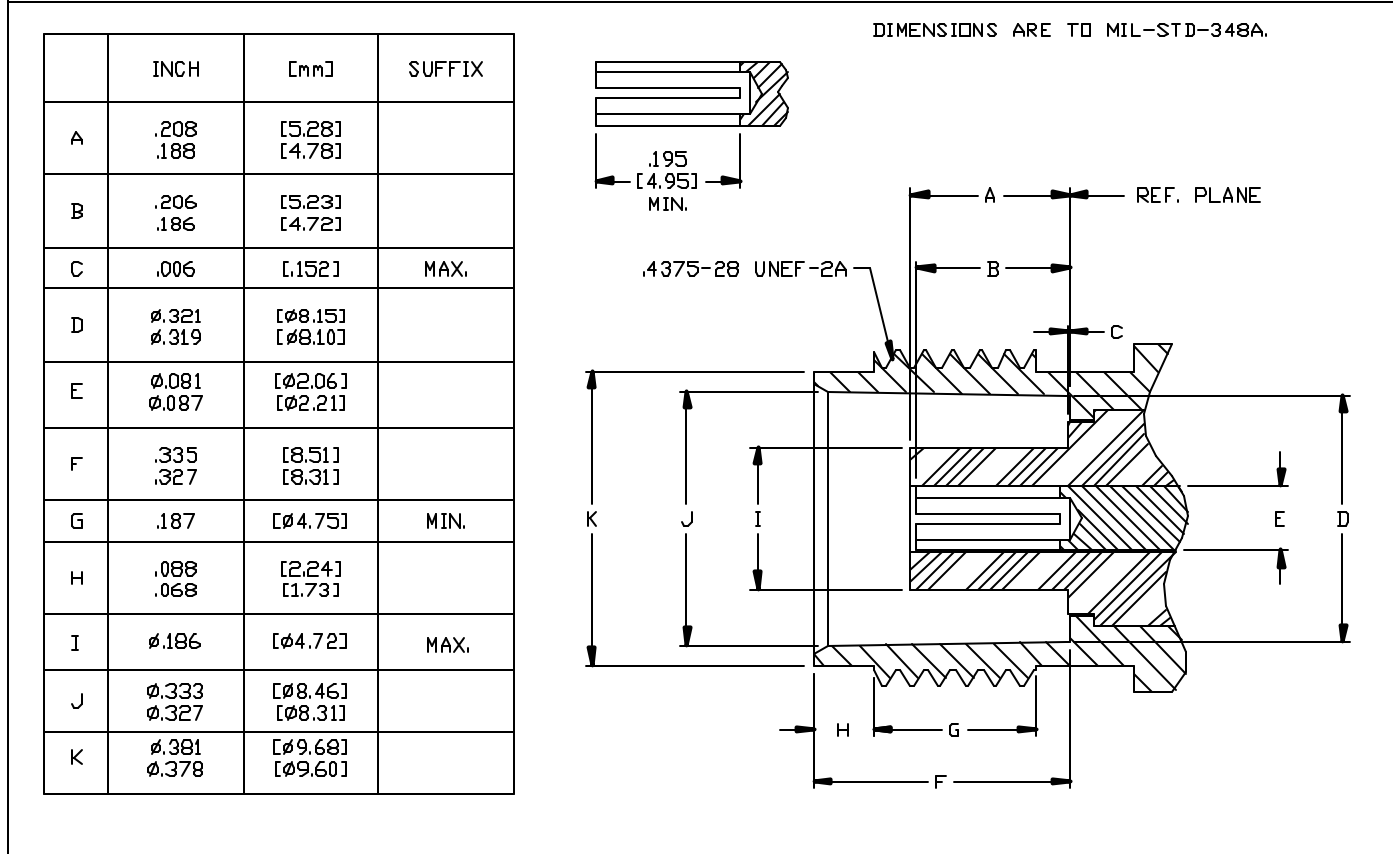
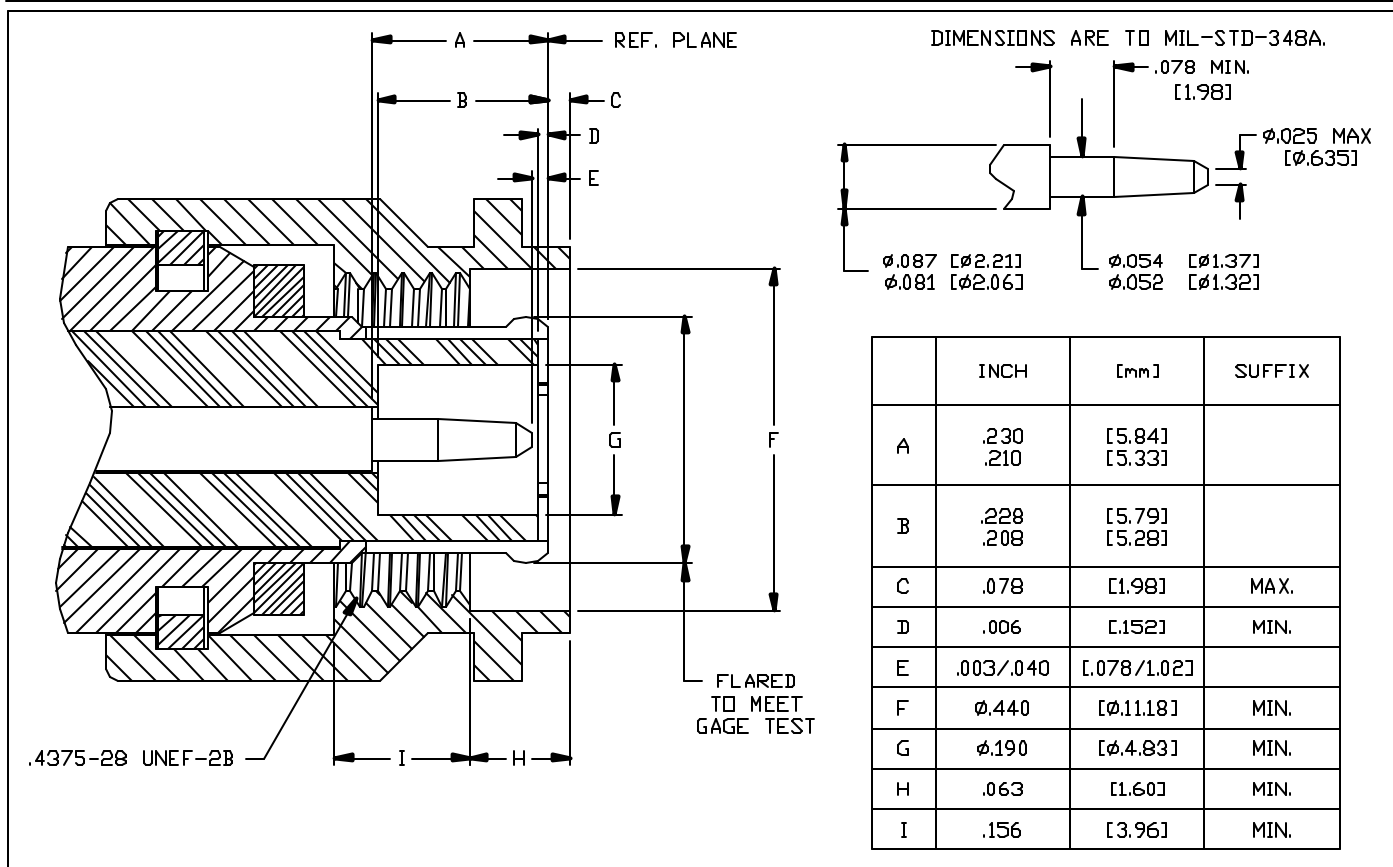
IMPEDANCE: 50 OHMS.  
FREQUENCY RANGE: DC TO 11 GHz (CONNECTOR PERFORMANCE ONLY;  
DEPENDENT OF CABLE).  
INSULATION RESISTANCE: 5000 MEGOHMS, MIN..  
TEMPERATURE RATING: -65°C TO +165°C.  
DWV: 1500 VOLTS AT SEA LEVEL.  
CONTACT RESISTANCE: CENTER CONTACT - 1.5 MILLIOHMS;  
OUTER CONTACT - 0.2 MILLIOHMS.  
VSWR: 1.30 MAX.  
R.F. LEAKAGE: -60 dB MIN. FROM 2 TO 3 GHz.  
INSERTION LOSS: 0.18 dB MAX. AT 9 GHz.

## ENVIRONMENTAL

VIBRATION: MIL-STD-202, METHOD 204, TEST CONDITION B.  
SHOCK: MIL-STD-202, METHOD 213, TEST CONDITION B.  
THERMAL SHOCK: MIL-STD-202, METHOD 107, TEST CONDITION B @ 85°C.  
CORROSION: MIL-STD-202, METHOD 101, TEST CONDITION B.  
MOISTURE RESISTANCE: MIL-STD-202, METHOD 106,  
NO MEASUREMENT AT HIGH HUMIDITY.

REV	DESCRIPTION	DATE	APPR
A	PER ECN 5421	03/21/00	HN
B	PER ECN 7427	05/07/04	JM
C	PER ECN 9024	08/06/07	JEM
D	PER ECN 10095	11/30/09	JEM

DESCRIPTION: TNC SERIES



INTERFACE DESIGN STANDARD		<b>PALEO</b> <b>CONNECTOR</b> 22 GREAT HILL ROAD, NAUGATUCK, CT. 06770 PHONE: (203) 729-9090 FAX: (203) 723-1794	REV	DESCRIPTION	DATE	APPR
IDS-41			A	PER ECN 5421	03/21/00	HN
PAGE 3 OF 3	DATE: 02/28/94		B	PER ECN 7427	05/07/04	JM
DRAWN: JEM	APPROVED: HN		C	PER ECN 9024	08/06/07	JEM
		D	PER ECN 10095	11/30/09	JEM	

DESCRIPTION: TNC SERIES

DIMENSIONS ARE TO MIL-STD-348A.

