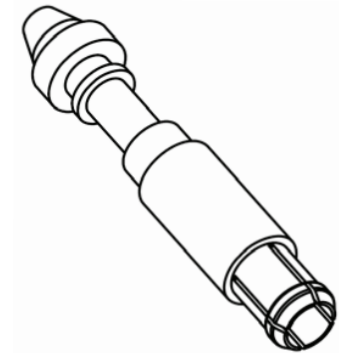
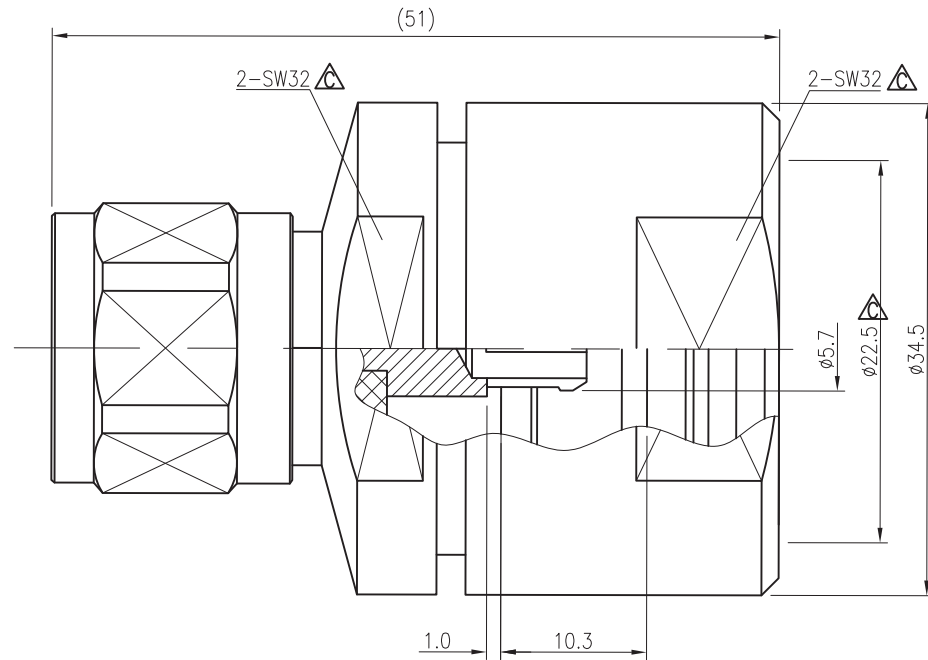


CAD DRAWING – NO MANUAL REVISIONS

REV	DESCRIPTION	MM/DD/YY	ZONE
A	RELEASED	12/10/08	
B	ECR903026	12/10/08	
C		07/06/10	D3,D5,C3



- NOTES:
- DESIGN AND INTERFACE PER I.D.S-550
  - FOR USE WITH LMR900 OR SIMILAR CABLE
  - ALL MATERIALS AND FINISHES MUST BE ROHS COMPLIANT & NON-MAGNETIC.
  - DUST CAP MUST BE INCLUDED.

THE SOCKET PART OF THE CENTER CONTACT CAPTIVATE THE CABLE CONDUCTOR.

THESE ITEM(S)/TECHNICAL DATA ARE CONTROLLED FOR EXPORT FROM THE UNITED STATES IN ACCORDANCE WITH THE US EXPORT ADMINISTRATION REGULATIONS (EAR). DIVERSION CONTRARY TO U.S. LAW PROHIBITED.

ITEM NO.	PART DESCRIPTION	MATERIAL	QTY
9	WASHER	BRASS	1
8	SLEEVE	BRASS	2
7	RETAINING RING	TIN BRONZE	1
6	GASKET	SILICONE RUBBER	3
5	COUPLING NUT	BRASS	1
4	NUT	BRASS	1
3	INSULATOR	PTFE	1
2	CENTER CONTACT	TIN BRONZE	1
1	BODY	BRASS	1



SHANGHAI PHOENIX COMMUNICATION & TECHNOLOGY COMPANY LTD.  
SHANGHAI, CHINA.

UNLESS OTHERWISE SPECIFIED, PHOENIX WORKMANSHIP STANDARDS APPLY  
TOLERANCES ON: DECIMALS: .X ±0.25 .XX ±0.12 ANGLES ±3°  
DIMENSIONS IN METRIC DO NOT SCALE PRINTS  
UNLESS OTHERWISE SPECIFIED DIMENSIONS ARE IN MILLIMETER

DESCRIPTION		
N STRAIGHT MALE FOR LMR 900;NON-MAGNETIC		
DRAWN: ZHANGWEILI	DWG NO.	PLT.OPT.
CHECKED: KGU	55005003601	S
APPROVED: MYE		SHEET 1 OF 1

INTERFACE DESIGN STANDARD	
IDS-550	
DATE: 02/08/03	
DRAWN: EK	APPROVED: HN

**PALEO**  
**CONNECTOR**

22 GREAT HILL ROAD, NAUGATUCK, CT. 06770  
PHONE: (203) 729-9090 FAX: (203) 723-1794

REV	DESCRIPTION	DATE	APPR
A	PER ECN 6986	02/28/03	HN

DESCRIPTION: N 550 SERIES

