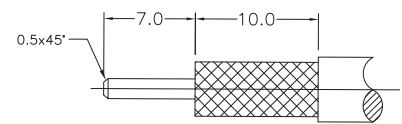
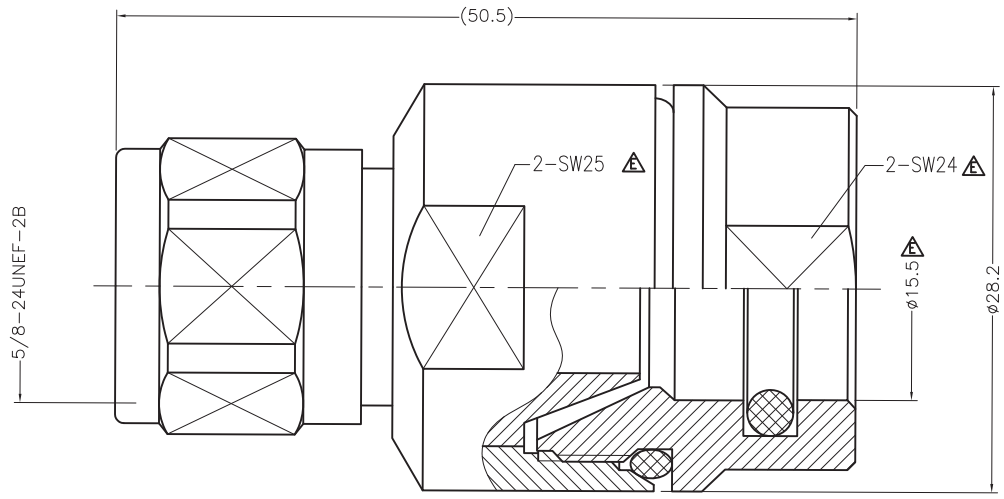


8 7 6 5 4 3 2 1

CAD DRAWING – NO MANUAL REVISIONS

REV	DESCRIPTION	MM/DD/YY	ZONE
A	RELEASED	12/10/08	
B	ECR904031	04/02/09	
C	ECR905043	05/05/09	
D	ECR1001017	01/21/10	A6,A7,AB
E	ECR1007100	07/06/10	C3~C5



RECOMMENDED CABLE STRIPPING DIMENSIONS.

NOTES:

1. DESING AND INTERFACE PER I.D.S-550.
2. FOR USE WITH LMR600 OR SIMILAR CABLE.
3. DUST CAP MUST BE INCLUDED.
4. ALL MATERIALS AND FINISHES MUST BE ROHS COMPLIANT.
5. PACKAGING: SINGLE.
6. EACH PACKAGE INCLUDES ASSEMBLY WORK INSTRUCTION AND GREASE.
7. LABEL CONTENTS ON THE PACKAGE: 55005003801S

1 PCS

THESE ITEM(S)/TECHNICAL DATA ARE CONTROLLED FOR EXPORT FROM THE UNITED STATES IN ACCORDANCE WITH THE US EXPORT ADMINISTRATION REGULATIONS (EAR). DIVERSION CONTRARY TO U.S. LAW PROHIBITED.

ITEM NO.	PART DESCRIPTION	MATERIAL	QTY
4	NUT	BRASS	1
3	INSULATOR	PTFE	1
2	CENTER CONTACT	BRASS	1
1	BODY	BRASS	1



SHANGHAI PHOENIX COMMUNICATION & TECHNOLOGY COMPANY LTD.
SHANGHAI, CHINA.

UNLESS OTHERWISE SPECIFIED, PHOENIX WORKMANSHIP STANDARDS APPLY
TOLERANCES ON: DECIMALS: .X ±0.25 .XX ±0.13 ANGLES ±3°
DIMENSIONS IN METRIC DO NOT SCALE PRINTS
UNLESS OTHERWISE SPECIFIED DIMENSIONS ARE IN MILLIMETER

DESCRIPTION		
N STRAIGHT PLUG FOR LMR600;CLAMP;NON-MAGNETIC.		
DRAWN: ZHANGWEILI	DWG NO.	PLT.OPT.
CHECKED: KGU	55005003801	S
APPROVED: MYE	SHEET	1 OF 1

INTERFACE DESIGN STANDARD	
IDS-550	
DATE: 02/08/03	
DRAWN: EK	APPROVED: HN

PALEO
CONNECTOR

22 GREAT HILL ROAD, NAUGATUCK, CT. 06770
PHONE: (203) 729-9090 FAX: (203) 723-1794

REV	DESCRIPTION	DATE	APPR
A	PER ECN 6986	02/28/03	HN

DESCRIPTION: N 550 SERIES

