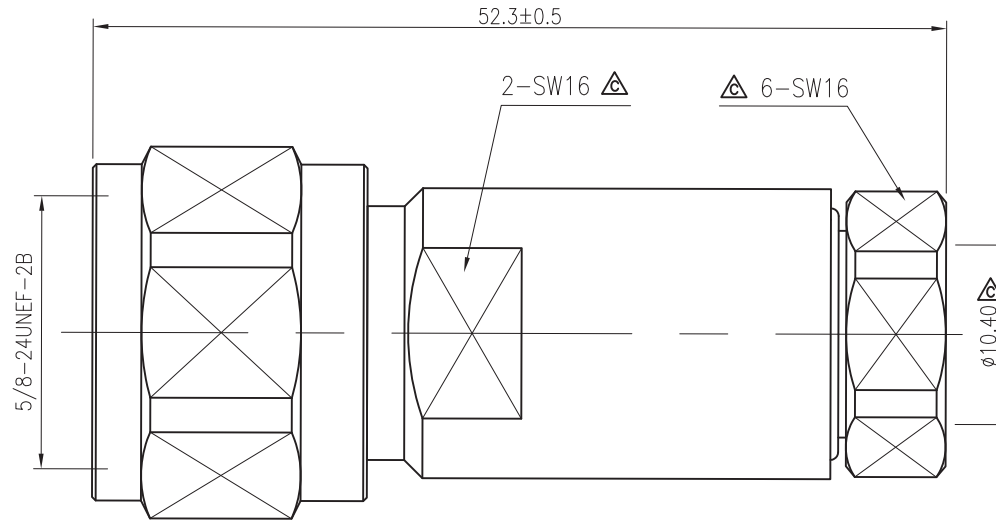


CAD DRAWING – NO MANUAL REVISIONS

REV	DESCRIPTION	MM/DD/YY	ZONE
A	RELEASED	12/15/08	
B	ECR904031	04/02/09	
C	ECR1007100	07/06/10	D4,C3



NOTES:

- DESIGN AND INTERFACE PER I.D.S-550.
- FOR USE WITH LMR400 OR SIMILAR CABLE.
- DUST CAP MUST BE INCLUDED.
- ALL MATERIALS AND FINISHES MUST BE ROHS COMPLIANT.

THESE ITEM(S)/TECHNICAL DATA ARE CONTROLLED FOR EXPORT FROM THE UNITED STATES IN ACCORDANCE WITH THE US EXPORT ADMINISTRATION REGULATIONS (EAR). DIVERSION CONTRARY TO U.S. LAW PROHIBITED.

4	NUT	BRASS		1
3	INSULATOR	PTFE		1
2	CENTER CONTACT	BRASS		1
1	BODY	BRASS		1
ITEM NO.	PART DESCRIPTION	MATERIAL		QTY



SHANGHAI PHOENIX COMMUNICATION & TECHNOLOGY COMPANY LTD.  
SHANGHAI, CHINA.

UNLESS OTHERWISE SPECIFIED, PHOENIX WORKMANSHIP STANDARDS APPLY   
TOLERANCES ON: DECIMALS: .X ±0.25 .XX ±0.13 ANGLES ±3°  
DIMENSIONS IN METRIC DO NOT SCALE PRINTS  
UNLESS OTHERWISE SPECIFIED DIMENSIONS ARE IN MILLIMETER

DESCRIPTION  
N MALE STRAIGHT FOR LMR400;  
NON-MAGNETIC.

DRAWN: ZHANGWEILI

DWG NO.

PLT.OPT.

CHECKED: KGU

55007003204

S

APPROVED: MYE



SHEET

1 OF 1

INTERFACE DESIGN STANDARD	
IDS-550	
DATE: 02/08/03	
DRAWN: EK	APPROVED: HN

**PALEO**  
**CONNECTOR**

22 GREAT HILL ROAD, NAUGATUCK, CT. 06770  
PHONE: (203) 729-9090 FAX: (203) 723-1794

REV	DESCRIPTION	DATE	APPR
A	PER ECN 6986	02/28/03	HN

DESCRIPTION: N 550 SERIES

