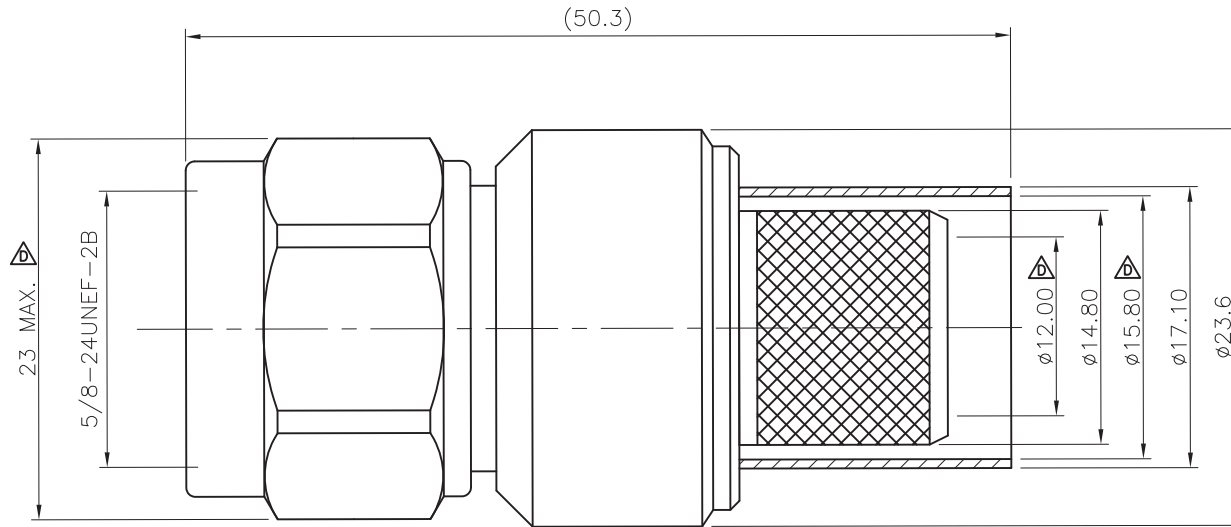


CAD DRAWING – NO MANUAL REVISIONS

REV	DESCRIPTION	MM/DD/YY	ZONE
A	RELEASED	12/10/08	
B	ECR903014	03/02/09	A6,A7,A8
C	ECR904029	04/02/09	A6
D	ECR1007100	07/06/10	C7,C3



NOTES:

- DESIGN AND INTERFACE PER I.D.S.-550.
- FOR USE WITH LMR600 OR SIMILAR CABLE.
- DUST CAP MUST BE INCLUDED. \triangle
- ALL MATERIALS AND FINISHES MUST BE ROHS COMPLIANT. \triangle

THESE ITEM(S)/TECHNICAL DATA ARE CONTROLLED FOR EXPORT FROM THE UNITED STATES IN ACCORDANCE WITH THE US EXPORT ADMINISTRATION REGULATIONS (EAR). DIVERSION CONTRARY TO U.S. LAW PROHIBITED.

5	FERRULE	COPPER			1
4	NUT	BRASS			1
3	INSULATOR	PTFE			1
2	CENTER CONTACT	BRASS			1
1	BODY	BRASS			1
ITEM NO.	PART DESCRIPTION	MATERIAL			QTY



SHANGHAI PHOENIX COMMUNICATION & TECHNOLOGY COMPANY LTD.
SHANGHAI, CHINA.

UNLESS OTHERWISE SPECIFIED, PHOENIX WORKMANSHIP STANDARDS APPLY
TOLERANCES ON: DECIMALS: .X ± 0.25 .XX ± 0.13 ANGLES $\pm 3'$
DIMENSIONS IN METRIC DO NOT SCALE PRINTS
UNLESS OTHERWISE SPECIFIED DIMENSIONS ARE IN MILLIMETER

DESCRIPTION

N MALE STRAIGHT FOR LMR600;NON-MAGNETIC.

DRAWN: ZHANGWEILI

DWG NO.

PLT.OPT.

CHECKED: KGU

55007003801

E

APPROVED: MYE



SHEET

1 OF 1

INTERFACE DESIGN STANDARD	
IDS-550	
DATE: 02/08/03	
DRAWN: EK	APPROVED: HN

PALEO
CONNECTOR

22 GREAT HILL ROAD, NAUGATUCK, CT. 06770
PHONE: (203) 729-9090 FAX: (203) 723-1794

REV	DESCRIPTION	DATE	APPR
A	PER ECN 6986	02/28/03	HN

DESCRIPTION: N 550 SERIES

