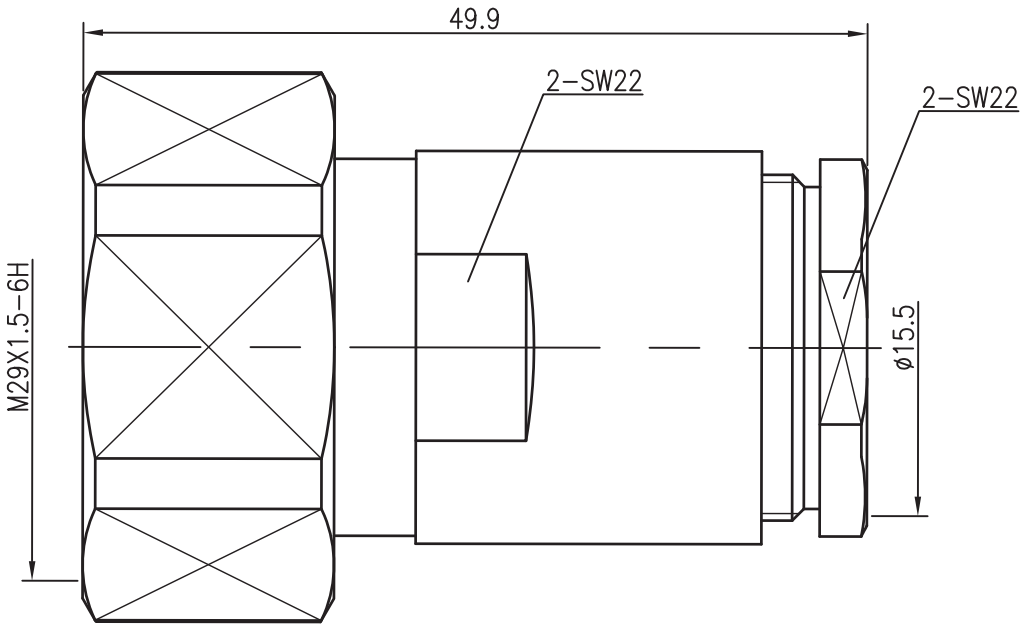


THESE ITEM(S)/TECHNICAL DATA ARE CONTROLLED FOR EXPORT FROM THE UNITED STATES IN ACCORDANCE WITH THE US EXPORT ADMINISTRATION REGULATIONS (EAR). DIVERSION CONTRARY TO U.S. LAW PROHIBITED.



- NOTES:
1. DESIGN AND INTERFACE PER I.D.S-595.
 2. ALL MATERIALS AND FINISHES MUST BE ROHS COMPLIANT.
 3. FOR USE WITH LMR600 OR SIMILAR CABLE.

ITEM NO.	PART DESCRIPTION	MATERIAL	QTY
11	WASHER	BRASS	1
10	WASHER	BRASS	1
9	COUPLING NUT	BRASS	1
8	BODY	BRASS	1
7	BODY	BRASS	1
6	INSULATOR	PTFE	1
5	GASKET	SILICON RUBBER	1
4	GASKET	SILICON RUBBER	1
3	SLEEVE	BRASS	1
2	CENTER CONTACT	BRASS	1
1	OUTER CONTACT	Phosphor Brass	1



The PHOENIX Company of Chicago TM

DESCRIPTION:
7/16 STR PLUG FOR LMR 600, NO-MAGNETIC

DRAWN: STEVEN YOU DWG NO. 59503003800 PLT.OPT. E
 CHECKED: EILEEN ZHU
 APPROVED: MAX WANG SHEET 1 OF 1

UNLESS OTHERWISE SPECIFIED, PHOENIX WORKMANSHIP STANDARDS APPLY 32/ ✓
 TOLERANCES ON: DECIMALS: .X ±0.25 .XX ±0.13 ANGLES ±3° DIMENSIONS IN METRIC DO NOT SCALE PRINTS
 UNLESS OTHERWISE SPECIFIED DIMENSIONS ARE IN MILLIMETER

INTERFACE DESIGN STANDARD

IDS-595

DATE: 11/26/13

DRAWN: EK

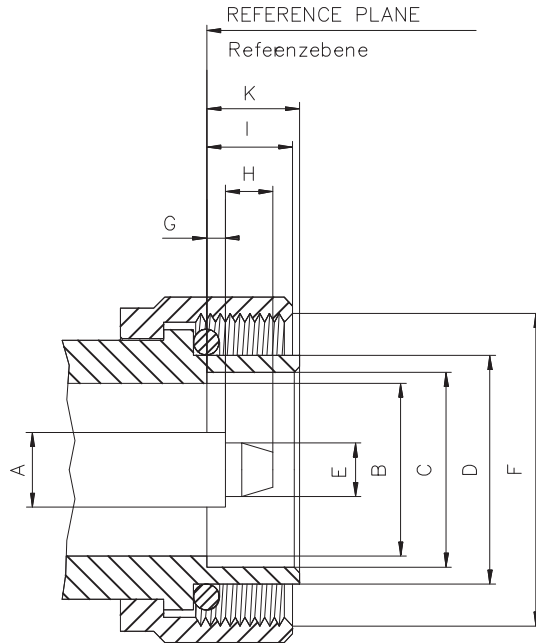
APPROVED: 7/16

PALEO
CONNECTOR

22 GREAT HILL ROAD, NAUGATUCK, CT. 06770
PHONE: (203) 729-9090 FAX: (203) 723-1794

REV	DESCRIPTION	DATE	APPR

DESCRIPTION: 7/16 595 SERIES



	INCH	[mm]	SUFFIX
A	.276	[7.00]	
B	.640	[16.25]	
	.624	[15.85]	
C	.717	[18.21]	
	.710	[18.03]	
D	.843	[21.40]	
	.811	[20.60]	
E	.198	[5.04]	
	.195	[4.96]	
F	M29X1.5		
G	.070	[1.77]	
	.058	[1.47]	
H	.177	[4.5]	MAX.
I	.354	[9.00]	
	.276	[7.00]	
K	.315	[8.00]	
	.276	[7.00]	

	INCH	[mm]	SUFFIX
A	.276	[7.00]	
B	.640	[16.25]	
	.624	[15.85]	
C	.709	[18.00]	MAX.
D	.902	[22.90]	
	.870	[22.10]	
F	M29X1.5		
G	.028	[0.70]	
	.020	[0.50]	
H	.082	[2.07]	
	.070	[1.77]	
I	.319	[8.10]	MIN.
K	.394	[10.00]	MIN.

