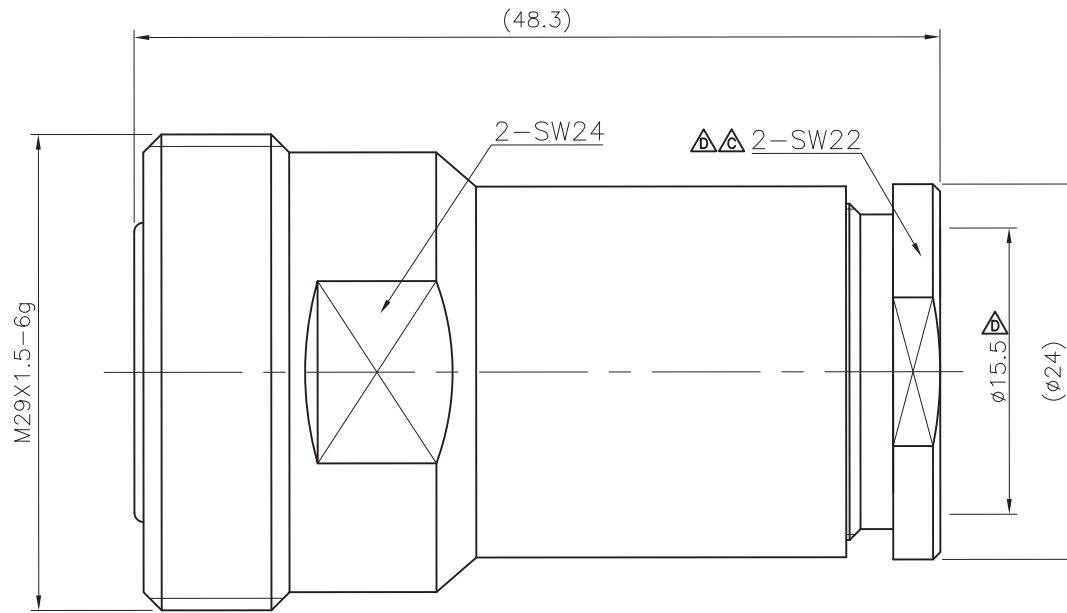


CAD DRAWING – NO MANUAL REVISIONS

REV	DESCRIPTION	MM/DD/YY	ZONE
A	RELEASED	12/10/08	
B	ECR903014	03/03/09	A6,A7,A8
C	ECR1004055	04/02/10	D4
D	ECR1007100	07/06/10	A7,D4,C3



NOTES

- DESIGN AND INTERFACE PER I.D.S.-595.
- FOR USE WITH LMR600 OR SIMILAR CABLE.
- DUST CAP MUST BE ATTACHED. \triangle
- ALL MATERIALS AND FINISHES MUST BE ROHS COMPLIANT. \triangle

THESE ITEM(S)/TECHNICAL DATA ARE CONTROLLED FOR EXPORT FROM THE UNITED STATES IN ACCORDANCE WITH THE US EXPORT ADMINISTRATION REGULATIONS (EAR). DIVERSION CONTRARY TO U.S. LAW PROHIBITED.

5	NUT	BRASS		1
3	INSULATOR	PTFE		1
2	CENTER CONTACT	PHOSPHOR BRONZE \triangle		1
1	BODY	BRASS		1
ITEM NO.	PART DESCRIPTION	MATERIAL		QTY



SHANGHAI PHOENIX COMMUNICATION & TECHNOLOGY COMPANY LTD.
SHANGHAI, CHINA.

UNLESS OTHERWISE SPECIFIED, PHOENIX WORKMANSHIP STANDARDS APPLY
TOLERANCES ON: DECIMALS: .X ± 0.25 .XX ± 0.13 ANGLES $\pm 3'$
DIMENSIONS IN METRIC DO NOT SCALE PRINTS
UNLESS OTHERWISE SPECIFIED DIMENSIONS ARE IN MILLIMETER

DESCRIPTION
7/16 STRAIGHT FEMALE FOR LMR600;NON-MAGNETIC.

DRAWN: ZHANGWEILI	DWG NO. 59513003801	PLT.OPT. S
CHECKED: KGU		
APPROVED: MYE		SHEET 1 OF 1

INTERFACE DESIGN STANDARD

IDS-595

DATE: 11/26/13

DRAWN: EK

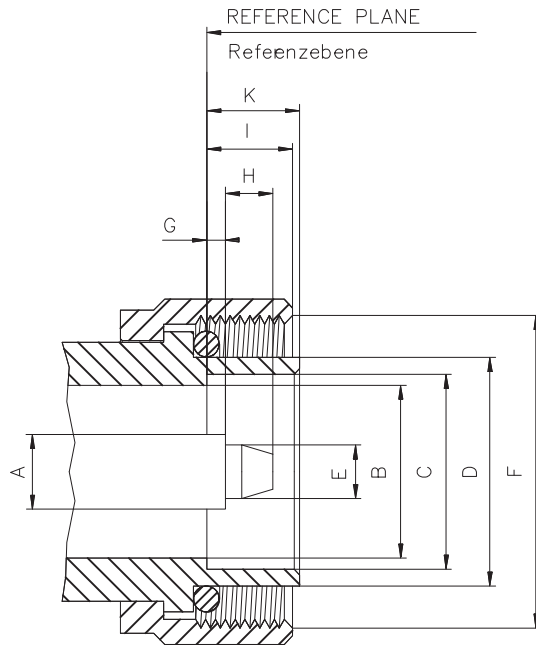
APPROVED: 7/16

PALEO
CONNECTOR

22 GREAT HILL ROAD, NAUGATUCK, CT. 06770
PHONE: (203) 729-9090 FAX: (203) 723-1794

REV	DESCRIPTION	DATE	APPR

DESCRIPTION: 7/16 595 SERIES



	INCH	[mm]	SUFFIX
A	.276	[7.00]	
B	.640	[16.25]	
	.624	[15.85]	
C	.717	[18.21]	
	.710	[18.03]	
D	.843	[21.40]	
	.811	[20.60]	
E	.198	[5.04]	
	.195	[4.96]	
F	M29X1.5		
G	.070	[1.77]	
	.058	[1.47]	
H	.177	[4.5]	MAX.
I	.354	[9.00]	
	.276	[7.00]	
K	.315	[8.00]	
	.276	[7.00]	

	INCH	[mm]	SUFFIX
A	.276	[7.00]	
B	.640	[16.25]	
	.624	[15.85]	
C	.709	[18.00]	MAX.
D	.902	[22.90]	
	.870	[22.10]	
F	M29X1.5		
G	.028	[0.70]	
	.020	[0.50]	
H	.082	[2.07]	
	.070	[1.77]	
I	.319	[8.10]	MIN.
K	.394	[10.00]	MIN.

