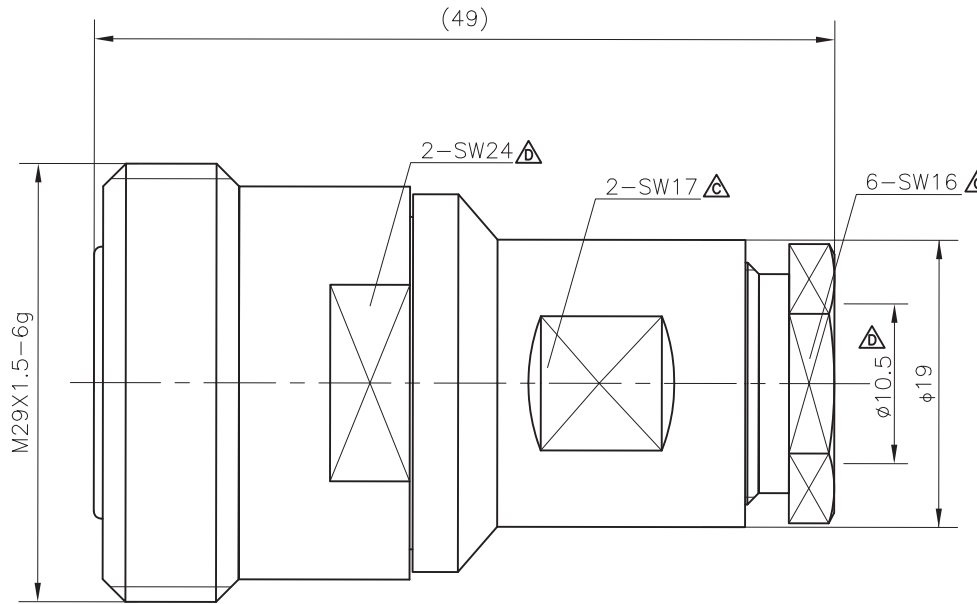


CAD DRAWING – NO MANUAL REVISIONS

REV	DESCRIPTION	MM/DD/YY	ZONE
A	RELEASED	12/10/08	
B	ECR903014	03/03/09	A6,A7,A8
C	ECR1004065	05/12/10	C3,C4
D	ECR1007100	07/06/10	A6,A7,C5,C3



NOTES

- 1.DESIGN AND INTERFACE PER I.D.S.-595.
- 2.FOR USE WITH LMR400 OR SIMILAR CABLE.
- 3.DUST CAP MUST BE ATTACHED. \triangle
- 4.ALL MATERIALS AND FINISHES MUST BE ROHS COMPLIANT. \triangle

THESE ITEM(S)/TECHNICAL DATA ARE CONTROLLED FOR EXPORT FROM THE UNITED STATES IN ACCORDANCE WITH THE US EXPORT ADMINISTRATION REGULATIONS (EAR). DIVERSION CONTRARY TO U.S. LAW PROHIBITED.

4	NUT	BRASS		1
3	INSULATOR	PTFE		1
2	CENTER CONTACT	PHOSPHOR BRONZE \triangle		1
1	BODY	BRASS		1
ITEM NO.	PART DESCRIPTION	MATERIAL		QTY



SHANGHAI PHOENIX COMMUNICATION & TECHNOLOGY COMPANY LTD.
SHANGHAI, CHINA.

UNLESS OTHERWISE SPECIFIED, PHOENIX WORKMANSHIP STANDARDS APPLY
TOLERANCES ON: DECIMALS: .X ± 0.25 .XX ± 0.13 ANGLES $\pm 3'$
DIMENSIONS IN METRIC DO NOT SCALE PRINTS
UNLESS OTHERWISE SPECIFIED DIMENSIONS ARE IN MILLIMETER

DESCRIPTION
7/16 STRAIGHT FEMALE FOR LMR400;NON-MAGNETIC.

DRAWN: ZHANGWEILI	DWG NO.	PLT.OPT.
CHECKED: KGU	59515003201	S
APPROVED: MYE		SHEET 1 OF 1

INTERFACE DESIGN STANDARD

IDS-595

DATE: 11/26/13

DRAWN: EK

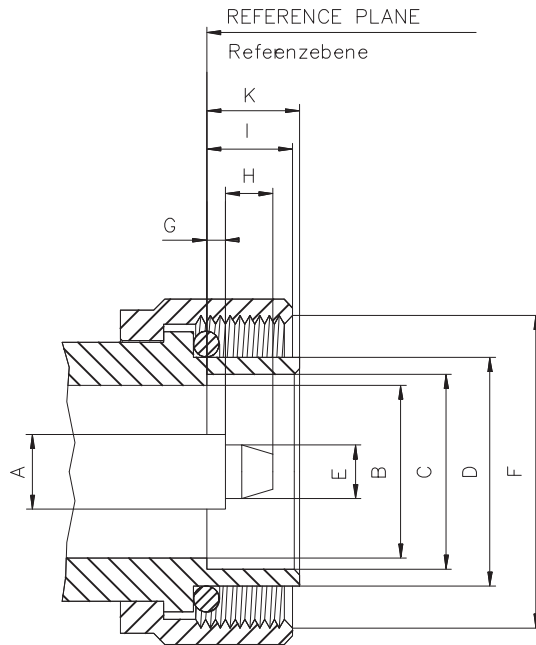
APPROVED: 7/16

PALEO
CONNECTOR

22 GREAT HILL ROAD, NAUGATUCK, CT. 06770
PHONE: (203) 729-9090 FAX: (203) 723-1794

REV	DESCRIPTION	DATE	APPR

DESCRIPTION: 7/16 595 SERIES



	INCH	[mm]	SUFFIX
A	.276	[7.00]	
B	.640 .624	[16.25] [15.85]	
C	.717 .710	[18.21] [18.03]	
D	.843 .811	[21.40] [20.60]	
E	.198 .195	[5.04] [4.96]	
F	M29X1.5		
G	.070 .058	[1.77] [1.47]	
H	.177	[4.5]	MAX.
I	.354 .276	[9.00] [7.00]	
K	.315 .276	[8.00] [7.00]	

	INCH	[mm]	SUFFIX
A	.276	[7.00]	
B	.640 .624	[16.25] [15.85]	
C	.709	[18.00]	MAX.
D	.902 .870	[22.90] [22.10]	
F	M29X1.5		
G	.028 .020	[0.70] [0.50]	
H	.082 .070	[2.07] [1.77]	
I	.319	[8.10]	MIN.
K	.394	[10.00]	MIN.

