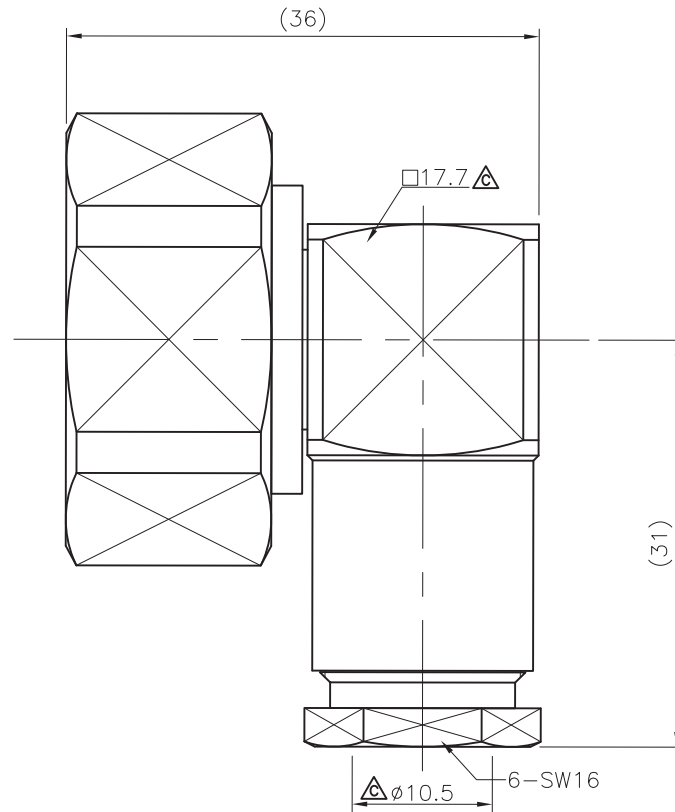


CAD DRAWING – NO MANUAL REVISIONS

REV	DESCRIPTION	MM/DD/YY	ZONE
A	RELEASED	07/12/06	
B	ECR903014	03/03/09	A6,A7,A8
C	ECR1007100	07/06/10	A7,B5,D4



NOTES

- DESIGN AND INTERFACE PER I.D.S.-595.
- FOR USE WITH LMR400 OR SIMILAR CABLE.
- DUST CAP MUST BE ATTACHED.  $\triangle$
- ALL MATERIALS AND FINISHES MUST BE ROHS COMPLIANT.  $\triangle$

THESE ITEM(S)/TECHNICAL DATA ARE CONTROLLED FOR EXPORT FROM THE UNITED STATES IN ACCORDANCE WITH THE US EXPORT ADMINISTRATION REGULATIONS (EAR). DIVERSION CONTRARY TO U.S. LAW PROHIBITED.

ITEM NO.	PART DESCRIPTION	MATERIAL	QTY
5	NUT	BRASS	1
4	GASKET	SILICONE RUBBER	1
3	INSULATOR	PTFE	1
2	CENTER CONTACT	BRASS $\triangle$	1
1	BODY	BRASS	1



SHANGHAI PHOENIX COMMUNICATION & TECHNOLOGY COMPANY LTD.  
SHANGHAI, CHINA.

UNLESS OTHERWISE SPECIFIED, PHOENIX WORKMANSHIP STANDARDS APPLY  
TOLERANCES ON: DECIMALS: .X  $\pm 0.25$  .XX  $\pm 0.13$  ANGLES  $\pm 3^\circ$   
DIMENSIONS IN METRIC DO NOT SCALE PRINTS  
UNLESS OTHERWISE SPECIFIED DIMENSIONS ARE IN MILLIMETER

DESCRIPTION	
7/16 PLUG R/A FOR LMR400 CABLE.NON-MAGNETIC.	
DRAWN: ZHANGWEILI	DWG NO. PLT.OPT.
CHECKED: KGU	59523003200 E
APPROVED: MYE	SHEET 1 OF 1

INTERFACE DESIGN STANDARD

IDS-595

DATE: 11/26/13

DRAWN: EK

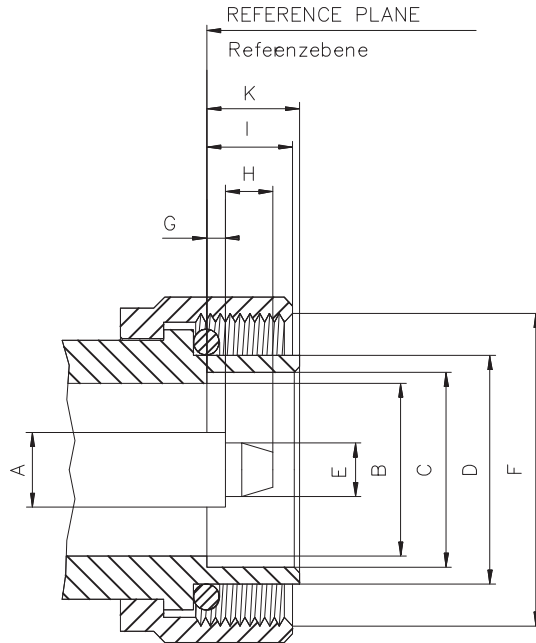
APPROVED: 7/16

**PALEO**  
**CONNECTOR**

22 GREAT HILL ROAD, NAUGATUCK, CT. 06770  
PHONE: (203) 729-9090 FAX: (203) 723-1794

REV	DESCRIPTION	DATE	APPR

DESCRIPTION: 7/16 595 SERIES



	INCH	[mm]	SUFFIX
A	.276	[7.00]	
B	.640	[16.25]	
	.624	[15.85]	
C	.717	[18.21]	
	.710	[18.03]	
D	.843	[21.40]	
	.811	[20.60]	
E	.198	[5.04]	
	.195	[4.96]	
F	M29X1.5		
G	.070	[1.77]	
	.058	[1.47]	
H	.177	[4.5]	MAX.
I	.354	[9.00]	
	.276	[7.00]	
K	.315	[8.00]	
	.276	[7.00]	

	INCH	[mm]	SUFFIX
A	.276	[7.00]	
B	.640	[16.25]	
	.624	[15.85]	
C	.709	[18.00]	MAX.
D	.902	[22.90]	
	.870	[22.10]	
F	M29X1.5		
G	.028	[0.70]	
	.020	[0.50]	
H	.082	[2.07]	
	.070	[1.77]	
I	.319	[8.10]	MIN.
K	.394	[10.00]	MIN.

