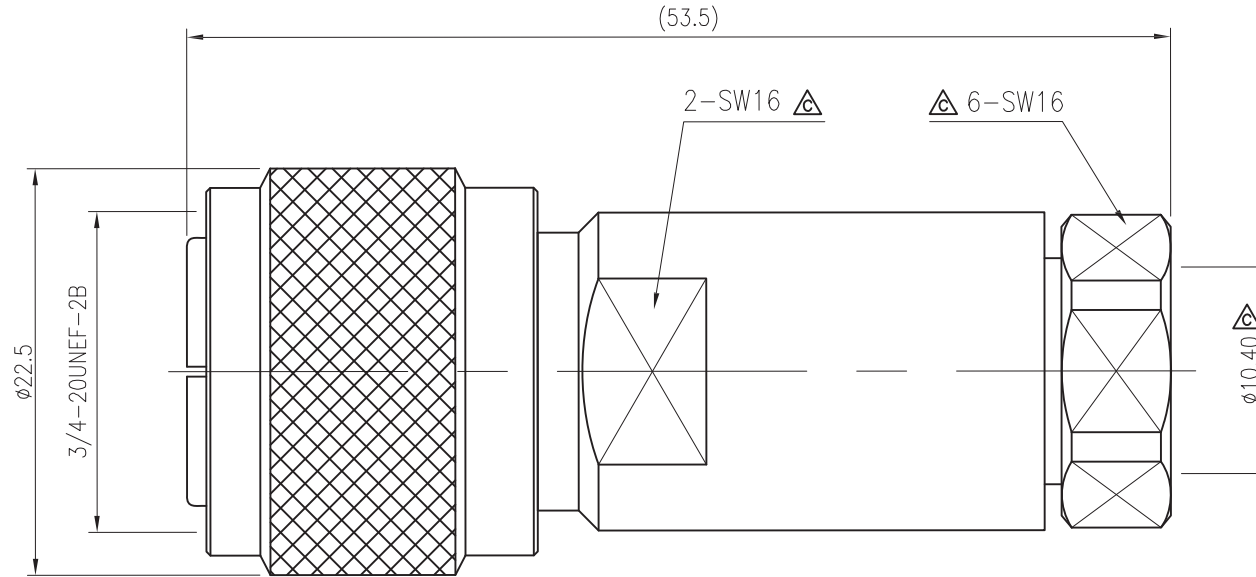


THESE ITEM(S)/TECHNICAL DATA ARE CONTROLLED FOR EXPORT FROM THE UNITED STATES IN ACCORDANCE WITH THE US EXPORT ADMINISTRATION REGULATIONS (EAR). DIVERSION CONTRARY TO U.S. LAW PROHIBITED.



NOTES:

1. DESIGN AND INTERFACE PER I.D.S-55
2. FOR USE WITH LMR 400 OR SIMILAR CABLE
3. ALL MATERIALS AND FINISHES MUST BE RoHS COMPLIANT.

4	NUT	BRASS		1	PCS
3	INSULATOR	PTFE		1	PCS
2	CENTER CONTACT	BRASS		1	PCS
1	BODY	BRASS		1	PCS
ITEM NO.	PART DESCRIPTION	MATERIAL		QTY	UNIT

D	ECR1303039	03/29/13	
C	ECR1007100	07/06/10	C2,D4
B	ECR904031	04/02/09	
A	RELEASE	12/10/08	
REV.	DESCRIPTION	DATE(MM/DD/YY)	ZONE



The PHOENIX Company of Chicago TM

UNLESS OTHERWISE SPECIFIED, PHOENIX WORKMANSHIP STANDARDS APPLY 32°
 TOLERANCES ON: DECIMALS: .X ± 0.25 .XX ± 0.13 ANGLES $\pm 3^{\circ}$ DIMENSIONS IN METRIC DO NOT SCALE PRINTS
 UNLESS OTHERWISE SPECIFIED DIMENSIONS ARE IN MILLIMETER

DESCRIPTION:		HN STRAIGHT MALE FOR LMR400, NO-MAGNETIC	
DRAWN: STEVEN YOU	DWG NO.	PLT.OPT.	
CHECKED: EILEEN ZHU	59905003201	S	
APPROVED: MAX WANG		SHEET	1 OF 1



CONNECTOR TECHNICAL DATA SHEET

I. Part Number : 59905003201S

II. Description : HN STRAIGHT MALE FOR LMR 400;

NON-MAGNETIC

III. Manufacture P/N:

IV. Main Technical Characteristics

1.Rated Value

Impedance: 50Ω

Frequency: DC~1.0GHz

Working Voltage: $\geq 1500V$

2.Insulation Resistance

$\geq 5000M\Omega$

3.Contact Resistance: N/A

4.Mating RF Leakage: N/A

5.Mating Insertion Loss: N/A

6.Dielectric Withstanding Voltage

$\geq DC 5000V$

7.VSWR

$VSWR \leq 1.25$

8.Insertion Loss

N/A

9.Material and Surface Treatment

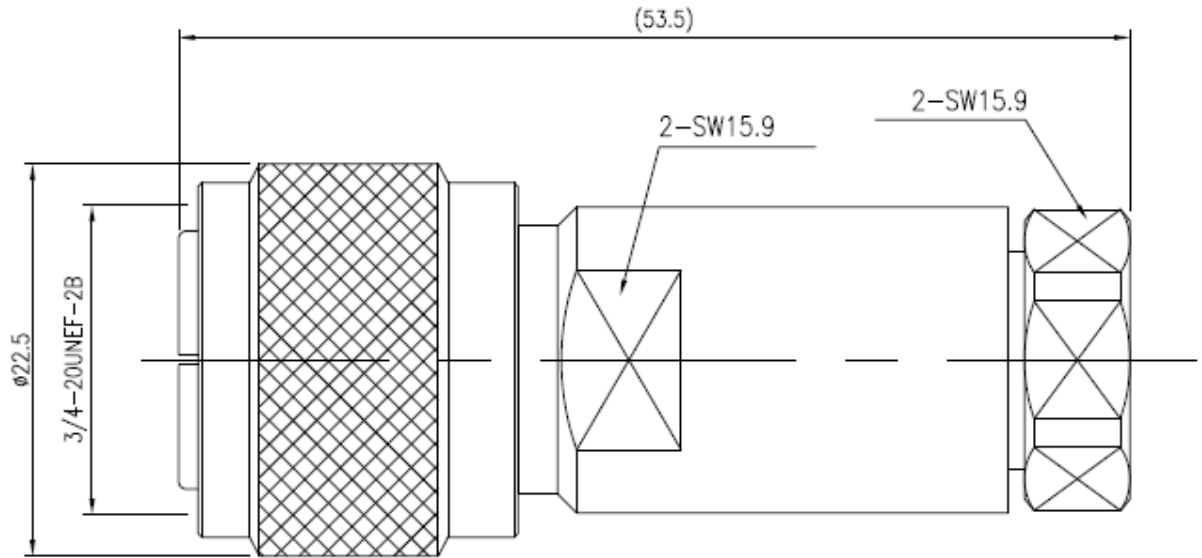
Plating: C.C: Silver 5um; Body: Silver 3um; Nut: Ternary Alloy 1um;

Material: C.C: Brass; Body: Brass; Insulator: PTFE; Others: Brass;

V. Environmental

Temperature: -55 ° C ~155 ° C

VII. Product outline drawing



INTERFACE DESIGN STANDARD

IDS-55

DATE: 11/08/04

DRAWN: YT

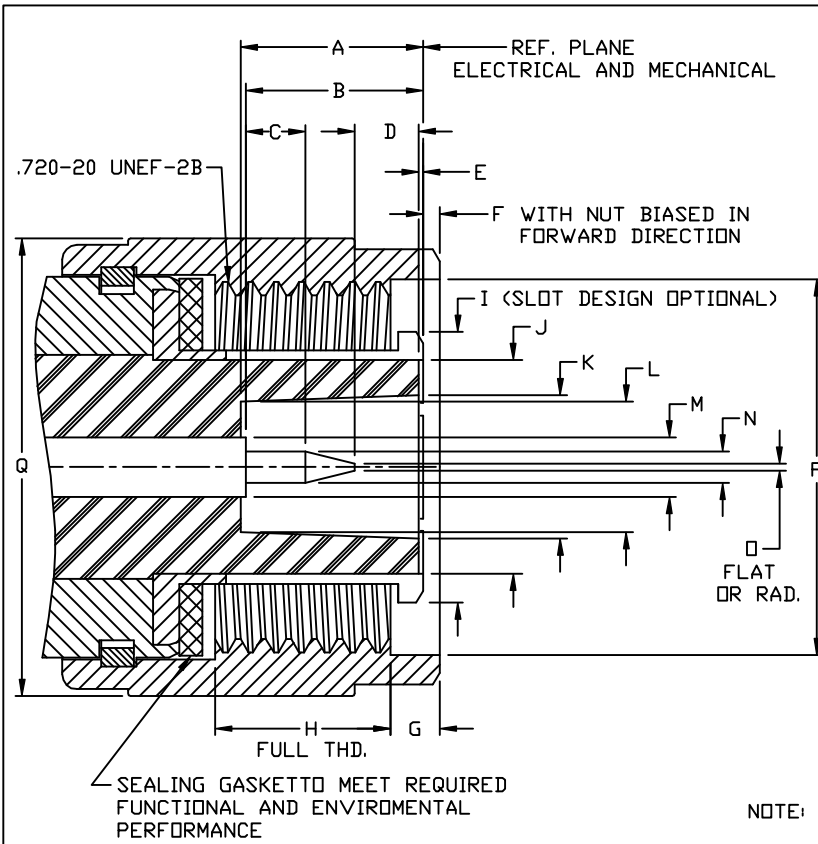
APPROVED: JM

PALCO
CONNECTOR

22 GREAT HILL ROAD, NAUGATUCK, CT. 06770
PHONE: (203) 729-9090 FAX: (203) 723-1794

REV	DESCRIPTION	DATE	APPR
A	PER ECN 7696	11/08/04	JM

DESCRIPTION: HN SERIES



DIMENSIONS ARE TO MIL-STD-348A.

	INCH	[mm]	SUFFIX
A	.368	[9.35]	MIN.
B	.388 .358	[9.86] [9.09]	
C	.120	[3.05]	MIN.
D	.138	[3.51]	MIN.
E	.005	[.13]	MIN.
F	.058	[1.47]	MAX.
G	.100	[2.54]	MIN.
H	.403	[10.24]	MIN.
I	FLARE TO MEET GAGE TEST		
J	SEE NOTE		
K	∅.289	[7.34]	MIN.
L	∅.263	[6.68]	MIN.
M	∅.132	[3.35]	MAX.
N	∅.066 ∅.062	[1.68] [1.57]	
∅	∅.015	[.38]	MAX.
P	∅.760	[19.30]	MIN.
Q	∅.925	[23.50]	MAX.

NOTE: I.D. OF OUTER CONTACT WHEN INSERTED INTO A .548 MAX. DIA. RING GAUGE SHALL BE .432 MIN.

DIMENSIONS ARE TO MIL-STD-348A.

	INCH	[mm]	SUFFIX
A	.590	[14.99]	MIN.
B	.522 .516	[13.26] [13.11]	
C	.368	[9.35]	MAX.
D	.358 .328	[9.09] [8.33]	
E	.005	[.13]	MAX.
F	.359	[9.12]	MIN.
G	.087 .077	[2.21] [1.96]	
H	.355	[9.02]	MIN.
I	I.D. TO MEET PERFORMANCE REQUIREMENTS WHEN MATED WITH .062/.066 DIA. PIN		
J	∅.268	[6.81]	MAX.
K	∅.294	[7.47]	MAX.
L	∅.430	[10.92]	MAX.
M	∅.553 ∅.548	[14.05] [13.92]	
N	∅.578 ∅.571	[14.68] [14.50]	
∅	∅.683 ∅.662	[17.35] [16.81]	
P	∅.132	[3.35]	MAX.
Q	∅.755	[19.18]	MAX.

