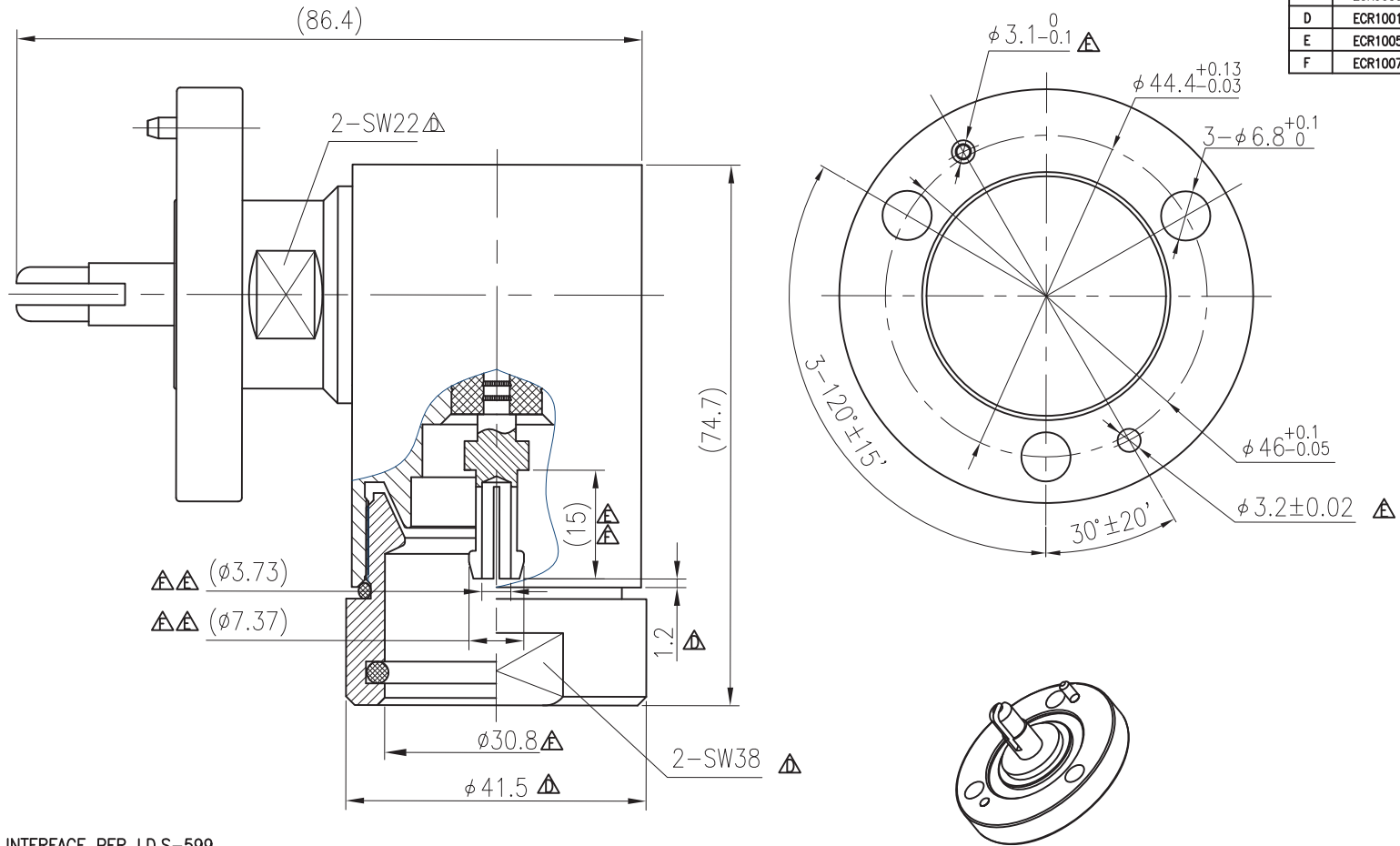


CAD DRAWING - NO MANUAL REVISIONS

REV	DESCRIPTION	MM/DD/YY	ZONE
A	RELEASED	12/15/08	
B	ECR904031	04/02/09	
C	ECR905043	05/05/09	
D	ECR1001016	01/21/10	A6-A8,B4-B7,D2-D7
E	ECR1005069	05/17/10	B7,C2,C5,D3
F	ECR1007100	07/06/10	B7,A7,B5,C5



- NOTES:
- DESIGN AND INTERFACE PER I.D.S-599.
 - FOR USE WITH LMR900 OR SIMILAR CABLE.
 - ALL MATERIALS AND FINISHES MUST BE ROHS COMPLIANT.
 - PACKAGING: SINGLE.
 - EACH PACKAGE INCLUDES ASSEMBLY WORK INSTRUCTION AND GREASE.
 - LABEL CONTENTS ON THE PACKAGE: 59925003101S
1 PCS

THESE ITEM(S)/TECHNICAL DATA ARE CONTROLLED FOR EXPORT FROM THE UNITED STATES IN ACCORDANCE WITH THE US EXPORT ADMINISTRATION REGULATIONS (EAR). DIVERSION CONTRARY TO U.S. LAW PROHIBITED.

ITEM NO.	PART DESCRIPTION	MATERIAL	QTY
3	INSULATOR	PTFE	1
2	CENTER CONTACT	BERYLLIUM COPPER Δ	1
1	BODY	BRASS	1



SHANGHAI PHOENIX COMMUNICATION & TECHNOLOGY COMPANY LTD.
SHANGHAI, CHINA.

UNLESS OTHERWISE SPECIFIED, PHOENIX WORKMANSHIP STANDARDS APPLY
TOLERANCES ON: DECIMALS: X ± 0.25 .XX ± 0.13 ANGLES $\pm 3^\circ$
DIMENSIONS IN METRIC DO NOT SCALE PRINTS
UNLESS OTHERWISE SPECIFIED DIMENSIONS ARE IN MILLIMETER

DESCRIPTION:
PLUG, 7/8 EIA RIGHT ANGLE FOR LMR 1200; NON-MAGNETIC

DRAWN: ZHANGWEILI	DWG NO. 59925003101	PLT.OPT. S
CHECKED: KGU		
APPROVED: MARTIN	SHEET 1 OF 1	



CONNECTOR TECHNICAL DATA SHEET

I. Part Number : 59925003101S

**II. Description : PLUG,7/8 EIA RIGHT ANGLE FOR LMR1200;
NON-MAGNETIC**

III. Manufacture P/N:

IV. Main Technical Characteristics

1.Rated Value

Impedance: 50Ω

Frequency: DC~1.0GHz

Working Voltage: N/A

2.Insulation Resistance

≥5000MΩ

3.Contact Resistance: N/A

4.Mating RF Leakage: N/A

5.Mating Insertion Loss: N/A

6.Dielectric Withstanding Voltage

≥DC 5000V

7.VSWR

VSWR ≤1.25

8.Insertion Loss

N/A

9.Material and Surface Treatment

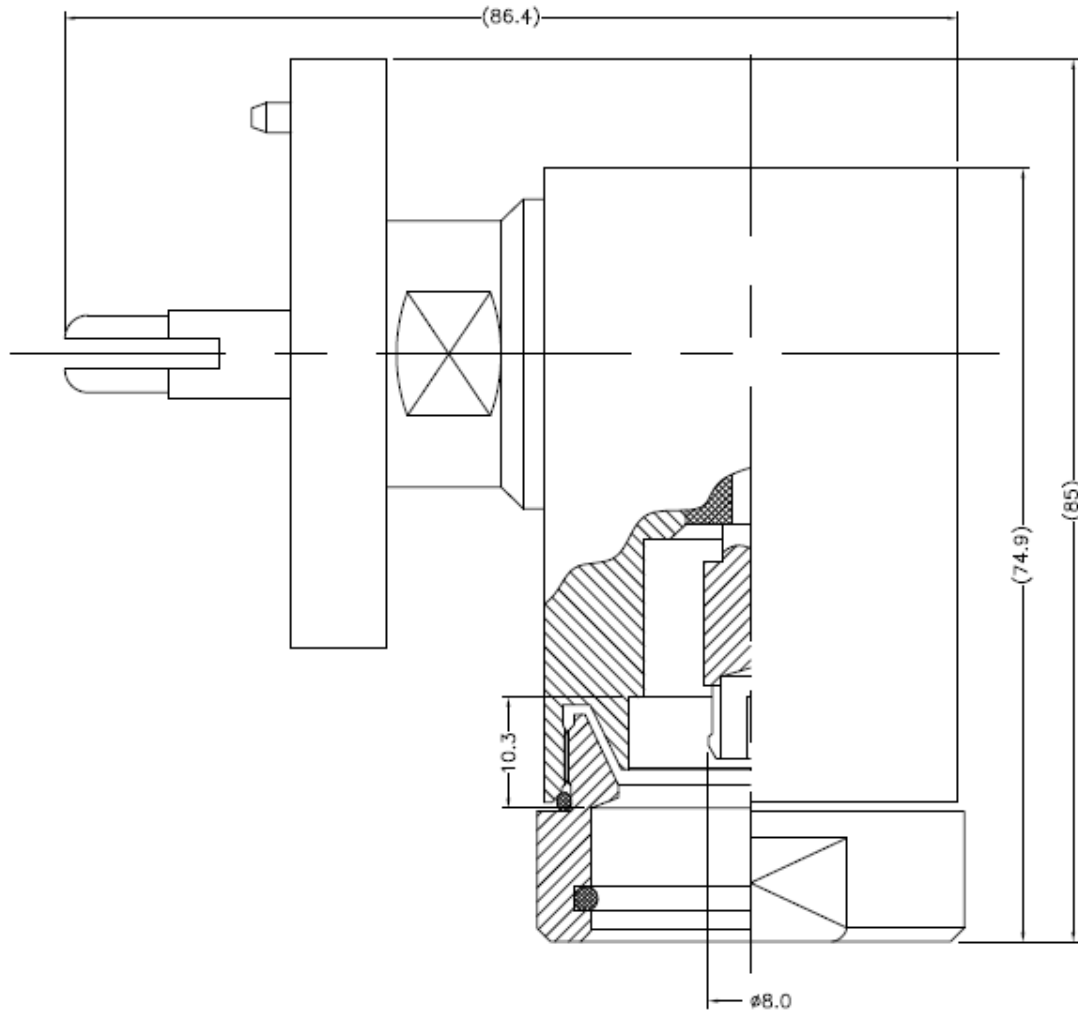
Plating: C.C: Silver 5um; Body: Silver 3um;

Material: C.C: Brass; Body: Brass; Insulator: PTFE;

V. Environmental

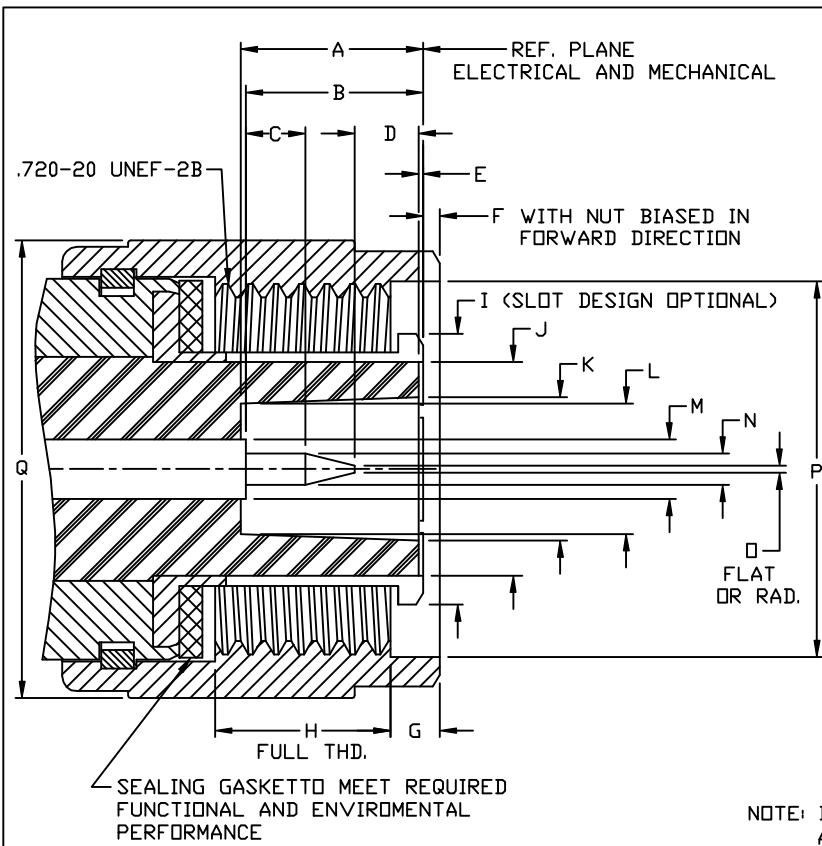
Temperature: -40 ° C ~85 ° C

VII. Product outline drawing



REV	DESCRIPTION	DATE	APPR
A	PER ECN 7696	11/08/04	JM

DESCRIPTION: HN SERIES



DIMENSIONS ARE TO MIL-STD-348A.

	INCH	[mm]	SUFFIX
A	.368	[9.35]	MIN.
B	.388 .358	[9.86] [9.09]	
C	.120	[3.05]	MIN.
D	.138	[3.51]	MIN.
E	.005	[.13]	MIN.
F	.058	[1.47]	MAX.
G	.100	[2.54]	MIN.
H	.403	[10.24]	MIN.
I	FLARE TO MEET GAGE TEST		
J	SEE NOTE		
K	∅.289	[7.34]	MIN.
L	∅.263	[6.68]	MIN.
M	∅.132	[3.35]	MAX.
N	∅.066 ∅.062	[1.68] [1.57]	
∅	∅.015	[.38]	MAX.
P	∅.760	[19.30]	MIN.
Q	∅.925	[23.50]	MAX.

NOTE: I.D. OF OUTER CONTACT WHEN INSERTED INTO A .548 MAX. DIA. RING GAUGE SHALL BE .432 MIN.

DIMENSIONS ARE TO MIL-STD-348A.

	INCH	[mm]	SUFFIX
A	.590	[14.99]	MIN.
B	.522 .516	[13.26] [13.11]	
C	.368	[9.35]	MAX.
D	.358 .328	[9.09] [8.33]	
E	.005	[.13]	MAX.
F	.359	[9.12]	MIN.
G	.087 .077	[2.21] [1.96]	
H	.355	[9.02]	MIN.
I	I.D. TO MEET PERFORMANCE REQUIREMENTS WHEN MATED WITH .062/.066 DIA. PIN		
J	∅.268	[6.81]	MAX.
K	∅.294	[7.47]	MAX.
L	∅.430	[10.92]	MAX.
M	∅.553 ∅.548	[14.05] [13.92]	
N	∅.578 ∅.571	[14.68] [14.50]	
∅	∅.683 ∅.662	[17.35] [16.81]	
P	∅.132	[3.35]	MAX.
Q	∅.755	[19.18]	MAX.

