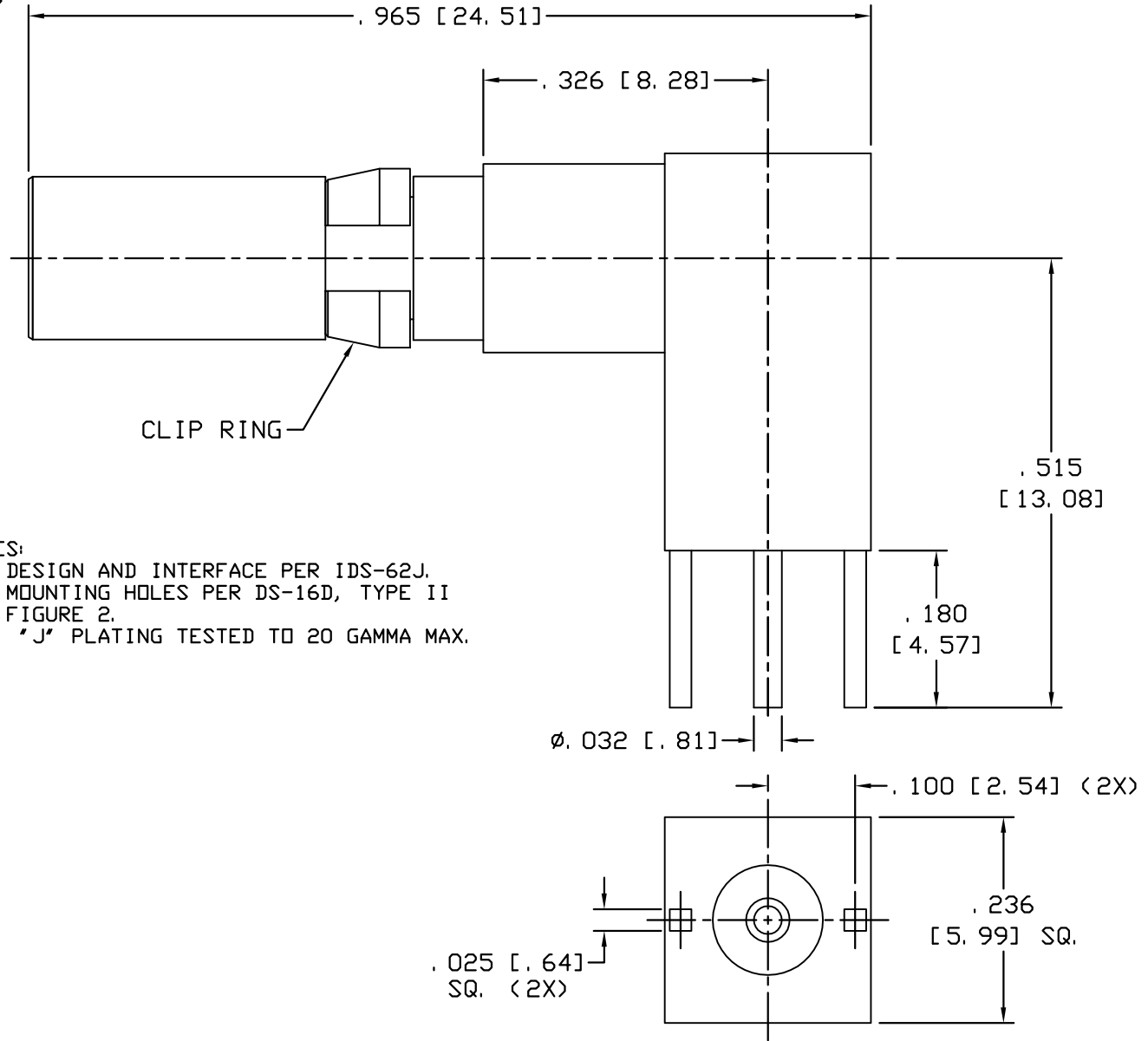


CAD DRAWING - NO MANUAL REVISIONS



- NOTES:
1. DESIGN AND INTERFACE PER IDS-62J.
 2. MOUNTING HOLES PER DS-16D, TYPE II FIGURE 2.
 3. "J" PLATING TESTED TO 20 GAMMA MAX.

PALCO CONNECTOR

22 GREAT HILL RD., NAUGATUCK, CT 06770

UNLESS OTHERWISE SPECIFIED, PALCO WORKMANSHIP STANDARDS APPLY
 TOLERANCES ON: DECIMALS: XX ± .01 .XXX ± .005 ANGLES ± 1/2° 32'
 DIMENSIONS IN INCHES OR (METRIC) DO NOT SCALE PRINTS

DRAWN JEM	CHECKED JEM	ENGINEER JEM	APPROVED JEM	FSCM 58167
--------------	----------------	-----------------	-----------------	---------------



DESCRIPTION SIZE 8, HMC JACK
 RIGHT ANGLE, PC MOUNT

DATE 07/12/13	DRAWING NO. 62-3450-63	PLATING OPT. J
------------------	---------------------------	-------------------

REV.	DESCRIPTION	DATE	APPR.
A	PER ECN 11715	07/12/13	JEM

CATALOG ITEM

INTERFACE DESIGN STANDARD

IDS-62J

PAGE 1 OF 1

DATE: 02/27/13

DRAWN: JEM

APPROVED: JEM



22 GREAT HILL ROAD, NAUGATUCK, CT. 06770
 PHONE: (203) 729-9090 FAX: (203) 723-1794

REV	DESCRIPTION	DATE	APPR
A	REL. ECN 11658	05/07/13	JEM
B	PER ECN 11688	06/05/13	JEM
C	PER ECN 11750	08/13/12	JEM

DESCRIPTION: 62J SERIES, SIZE 8 PKZ,[®] HIGH MATING CYCLE
 NON-MAGNETIC PER BS EN 122340.

MECHANICAL

MATERIALS:

PLUG AND RECEPTACLE BODIES, FERRULES AND CAPS - NON-MAGNETIC BRASS.
 CENTER AND OUTER CONTACTS - BERYLLIUM COPPER PER ASTM-B-197 or NON-MAGNETIC BRASS.
 CLIP RING - BERYLLIUM COPPER PER ASTM-B-196.
 INSULATORS - VIRGIN TEFLON (PTFE) PER ASTM D 1710

FINISHES (ADD LETTER 'J' TO END OF PART NUMBER)

GOLD PER MIL-G-45204.
 CONTACTS - .000050 MIN. GOLD.
 BODIES - .000050 MIN. GOLD.
 CLIP RINGS: UNPLATED.
 OTHER METAL PARTS: GOLD PLATED TO MEET
 THE ENVIRONMENTAL REQUIREMENTS.
 RESIDUAL MAGNETISM 20 GAMMA MAX.
 CONFORMS TO BS EN 122340 STANDARDS.

MATING CHARACTERISTICS

INSERTION ————— 1.0 LBS MAXIMUM
 0.5 LBS NOMINAL
 WITHDRAWAL ————— 1.5 OZ. MINIMUM
 4.0 OZ. NOMINAL
 HOUSING RETENTION ————— 12 LBS. MIN.
 AXIAL MATING TOLERANCE — .090" MAX.

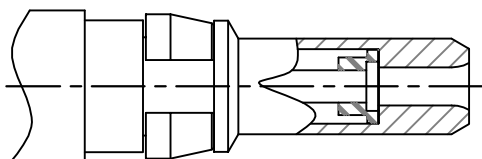
ELECTRICALS

FREQUENCY RANGE: DC TO 6 GHz.
 (CONFIGURATION DEPENDENT)
 VOLTAGE RATING STRAIGHT: 1000 VRMS.
 VOLTAGE RATING ANGLED: 800 VRMS.
 CURRENT RATING: 5 AMPS.
 INSULATION RESISTANCE: 2000 MEGOHMS MIN.
 INSERTION LOSS: .4 f(GHz) dB

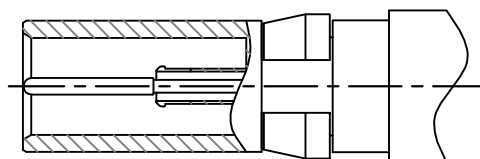
CONTACT RESISTANCE: CENTER CONTACT 5 MILLIOHMS
 CONTACT RESISTANCE: OUTER CONTACT 3 MILLIOHMS
 VSWR:
 1.10 + .01 (f) GHz., RG-405 CABLE (To 6 GHz).
 1.15 + .02 (f) GHz., RG-316 CABLE (To 1.5 GHz).
 1.15 + .03 (f) GHz., RG-178 CABLE (To 1.5 GHz).

ENVIRONMENTAL

OPERATING TEMPERATURE: -55°C to +125°C (-67°F - 257°F)
 VIBRATION: MIL-STD-202, METHOD 204, TEST CONDITION D.
 SHOCK: MIL-STD-202, METHOD 213, TEST CONDITION I.
 SALT SPRAY: MIL-STD-1344, METHOD 1001, CONDITION B.
 DURABILITY: 60,000 CYCLES MIN.
 THERMAL SHOCK: MEL-STD-202, METHOD 107, TEST
 CONDITION B, EXCEPT HIGH TEMPERATURE SHALL
 BE +85°C.
 MOISTURE RESISTANCE: MIL-STD-202, METHOD 106.
 NO MEASUREMENT AT HIGH HUMIDITY. INSULATION
 RESISTANCE 2000 MEGOHMS AFTER HUMIDITY.



PLUG



RECEPTACLE