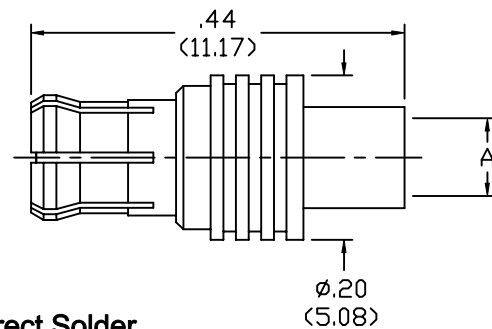


REV	DESCRIPTION	DATE	APPR
01	PRELIMINARY	10/09/07	HN

**NON-MAGNETIC CONNECTORS**  
**MCX 13 SERIES - DIRECT SOLDER**

Part Number	A DIA.	Cable
13-0200-0860J	.092 (2.34)	RG405-M17/133 (.086 S.R.)

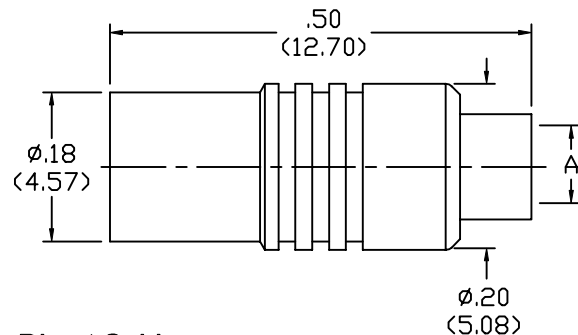
**Straight Plug**



**Direct Solder**

Part Number	A DIA.	Cable
13-1200-0860J	.092 (2.34)	RG405-M17/133 (.086 S.R.)

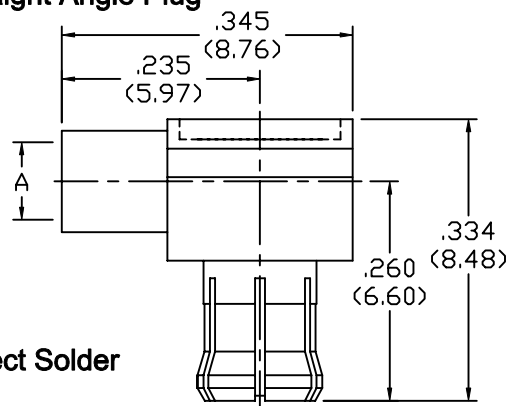
**Straight Jack**



**Direct Solder**

Part Number	A DIA.	Cable
13-2200-0860J	.092 (2.34)	RG405-M17/133 (.086 S.R.)

**Straight Angle Plug**



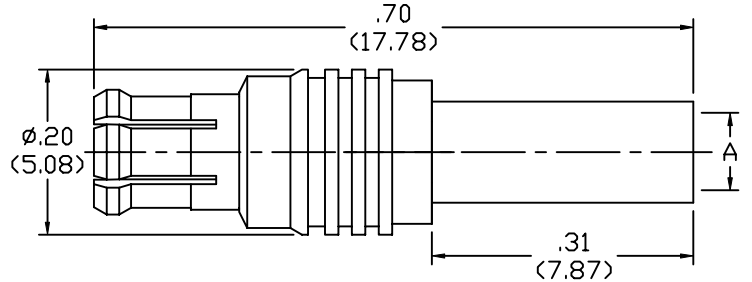
**Direct Solder**

REV	DESCRIPTION	DATE	APPR
01	PRELIMINARY	10/09/07	HN

**NON-MAGNETIC CONNECTORS**  
**MCX 13 SERIES - DIRECT CRIMP**

Part Number	A DIA.	Cable
13-0900-0400J	.040 (1.02)	RG178, 196, 404
13-0900-0670J	.067 (1.70)	RG188, 316, 174
13-0900-2670J	.067 (1.70)	RG316 D.S. (M17/152)
NOTE: Center contact can be crimped or soldered.		

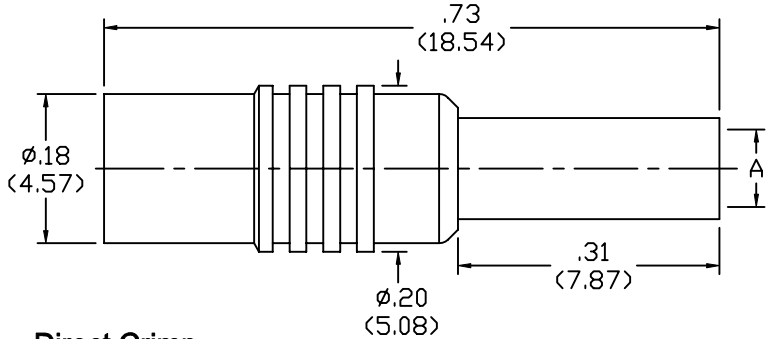
**Straight Plug**



**Direct Crimp**

Part Number	A DIA.	Cable
13-1900-0400J	.040 (1.02)	RG178, 196, 404
13-1900-0670J	.067 (1.70)	RG188, 316, 174
13-1900-2670J	.067 (1.70)	RG316 D.S. (M17/152)
NOTE: Center contact can be crimped or soldered.		

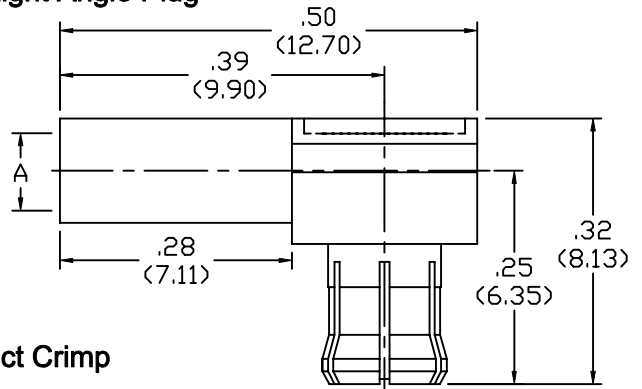
**Straight Jack**



**Direct Crimp**

Part Number	A DIA.	Cable
13-2800-0400J	.040 (1.02)	RG178, 196, 404
13-2800-0670J	.067 (1.70)	RG188, 316, 174
13-2800-2670J	.067 (1.70)	RG316 D.S. (M17/152)

**Straight Angle Plug**



**Direct Crimp**

REV	DESCRIPTION	DATE	APPR
01	PRELIMINARY	10/15/07	HN

**NON-MAGNETIC CONNECTORS**  
**MCX 13 SERIES - PC MOUNT**

Part Number	A	B	Straight Plug
13-0450-00J	.390 (9.91)	.155 (3.94)	

Part Number	A	B	Straight Jack
13-1450-00J	.390 (9.91)	.155 (3.94)	

Part Number	A	B	Right Angle Plug
13-2450-00J	.390 (9.91)	.155 (3.94)	

Part Number	A	B	Right Angle Jack
13-3450-00J	.390 (9.91)	.155 (3.94)	

REV	DESCRIPTION	DATE	APPR
01	PRELIMINARY	10/15/07	HN

MCX 13 SERIES-SURFACE MOUNT	
PAGE 4 OF 4	DATE: 10/15/07
DRAWN: ALS	APPROVED: HN
NON-MAGNETIC CONNECTORS	

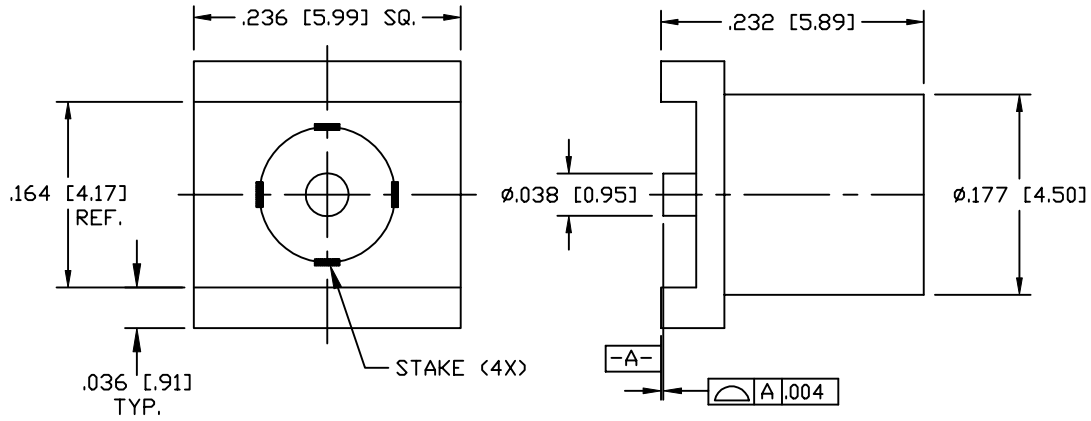
22 GREAT HILL ROAD, NAUGATUCK, CT. 06770  
PHONE: (203) 729-9090 FAX: (203) 723-1794

## NON-MAGNETIC CONNECTORS

### MCX 13 SERIES - SURFACE MOUNT

Part Number: 13-1449-03J

#### Straight Jack

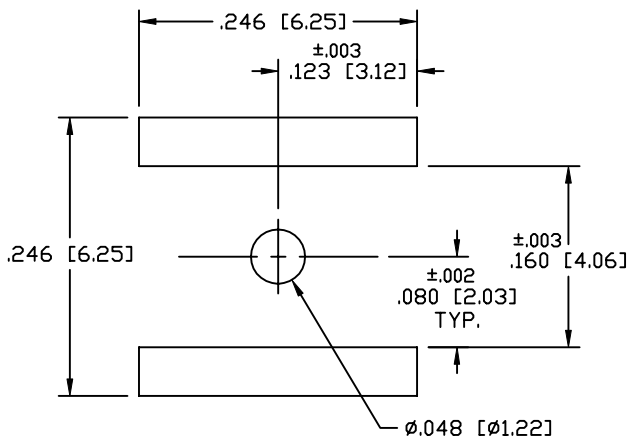


Surface Mount

See Fig. 3

#### 13 Series Surface Pad And PC Mount Layout

See Fig. 3



See Fig. 4

