


INTERFACE DESIGN STANDARD		 22 GREAT HILL ROAD, NAUGATUCK, CT. 06770 PHONE: (203) 729-9090 FAX: (203) 723-1794	REV	DESCRIPTION	DATE	APPR
IDS-13J			A	REL. ECN 8635	12/27/07	JEM
PAGE 1 OF 2	DATE: 11/14/07		B	PER ECN 9794	02/13/08	JEM
DRAWN: EK	APPROVED: JEM					

DESCRIPTION: 13J SERIES, MCX, PER CECC 22 220.

MECHANICAL

MATERIALS:

BODIES, MALE CONTACTS, FERRULES AND CAPS - NON-MAGNETIC BRASS ,
INSULATORS - TEFLON (PTFE) PER ASTM-D-1710.
FEMALE CONTACTS, OUTER CONTACTS - BERYLLIUM COPPER PER ASTM-B-196.

FINISHES (ADD LETTER 'J' TO END OF PART NUMBER)

GOLD PER MIL-G-45204.
COPPER PER MIL-C-14550.
CONTACTS - .000030 MIN. GOLD OVER COPPER.
BODIES: .000020 MIN. GOLD OVER COPPER.
OTHER METAL PARTS: GOLD PLATED TO MEET THE ENVIRONMENTAL REQUIREMENTS.
RESIDUAL MAGNETISM 20 GAMMA MAX.

MATING CHARACTERISTICS

ENGAGEMENT: 5.6 LBS. MAX.
DISENGAGEMENT: 1.8 LBS. MIN. / 4.5 LBS. MAX.
DURABILITY: 500 CYCLES.
CONFORMS TO CECC 22 220 STANDARDS.
CONFORMS TO BS EN 122340 STANDARDS.

ELECTRICALS

IMPEDANCE: 50 OHMS.
FREQUENCY RANGE: DC TO 6 GHz.
VOLTAGE RATING: 335 VOLTS RMS.
INSULATION RESISTANCE: 1000 MEGOHMS MIN.
DMV: 1000 VOLTS RMS.
RF HIGH POTENTIAL: 600 VOLTS RMS MIN. @ 5 MHz.
CONTACT RESISTANCE: CENTER CONTACT: 5.0 MILLIOHMS.
OUTER CONTACT: 2.5 MILLIOHMS.
VSWR: 1.22 MAX. @ 1 GHz.
1.35 MAX. @ 6 GHz.
CORONA LEVEL: 70,000 FT. - 185 VOLTS (RG-178).
250 VOLTS (RG-316).
INSERTION LOSS: 0.1 dB MAX./1 GHz.

ENVIRONMENTAL

TEMPERATURE RATING: -65°C TO +165°C
VIBRATION: MIL-STD-202, METHOD 204, TEST CONDITION D.
SHOCK: MIL-STD-202, METHOD 213, TEST CONDITION A.
THERMAL SHOCK: MIL-STD-202, METHOD 107, TEST CONDITION C.
CORROSION: MIL-STD-202, METHOD 101, TEST CONDITION B.
TEMPERATURE CYCLING: CECC 22 220 PARAGRAPH 4-6-5.
HIGH TEMPERATURE TEST: MIL-STD-202, METHOD 108A, CONDITION D.
MOISTURE RESISTANCE: MIL-STD-202, METHOD 106.

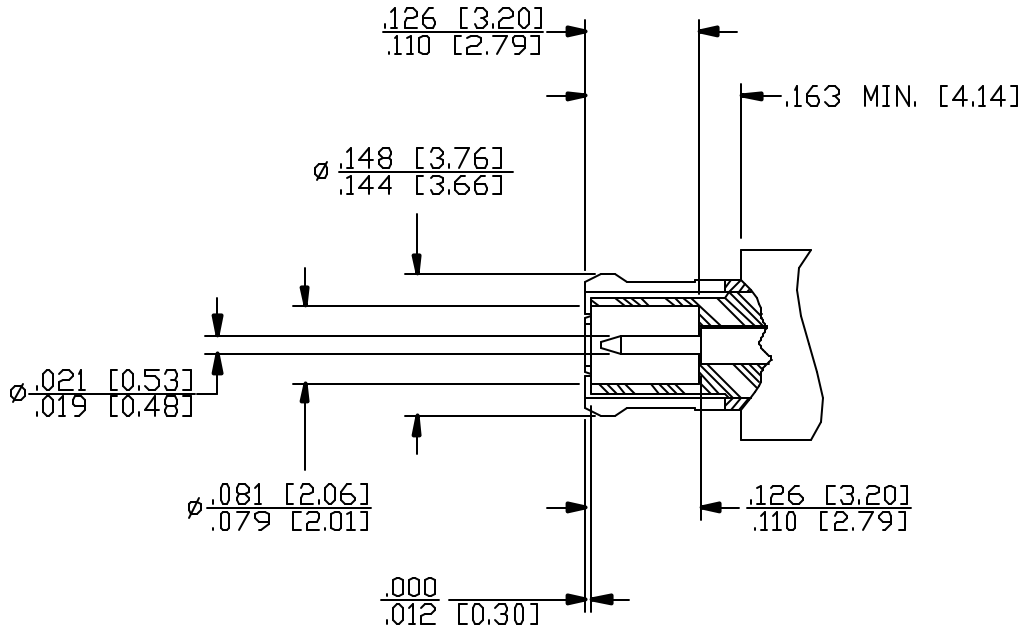
INTERFACE DESIGN STANDARD	
IDS-13J	
PAGE 2 OF 2	DATE: 11/14/07
DRAWN: EK	APPROVED: JEM

PALEO
CONNECTOR

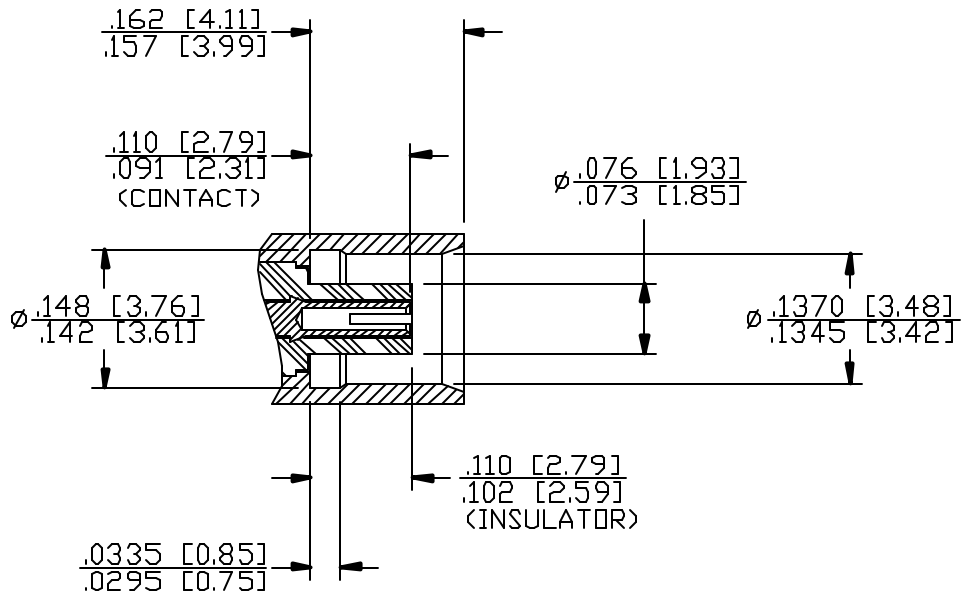
22 GREAT HILL ROAD, NAUGATUCK, CT. 06770
PHONE: (203) 729-9090 FAX: (203) 723-1794

REV	DESCRIPTION	DATE	APPR
A	REL. ECN 8635	12/27/07	JEM
B	PER ECN 9794	02/13/08	JEM

DESCRIPTION: 13J SERIES, MCX, PER CECC 22 220.



PLUG



RECEPTACLE