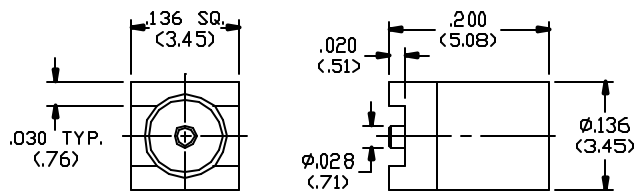
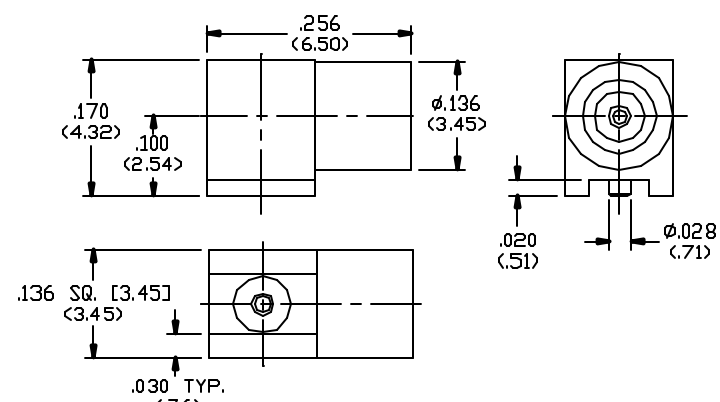


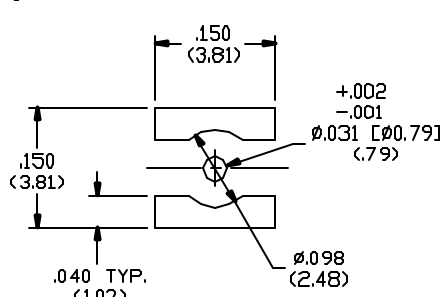
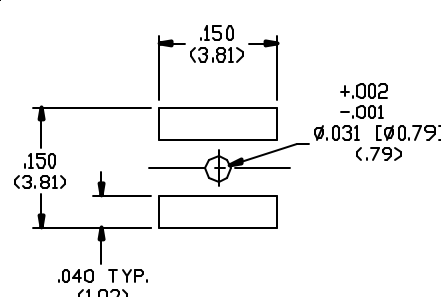
CATALOG		PALEO CONNECTOR 22 GREAT HILL ROAD, NAUGATUCK, CT. 06770 PHONE: (203) 729-9090 FAX: (203) 723-1794	REV	DESCRIPTION	DATE	APPR
MMCX 33 SERIES-SURFACE MOUNT			01	PRELIMINARY	10/17/07	HN
PAGE 1 OF 4	DATE: 10/17/07					
DRAWN: ALS	APPROVED: HN					
NON-MAGNETIC CONNECTORS						

NON-MAGNETIC CONNECTORS
MMCX 33 SERIES - SURFACE MOUNT

Part Number	Type	Straight Receptacle
33-1448-01J	Individual	
33-1448-0XJ	Tape And Reel	
		Surface Mount See Fig. 7

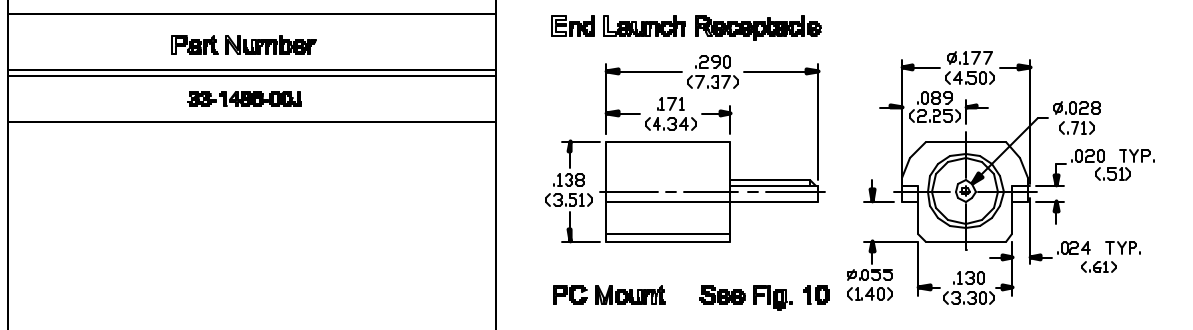
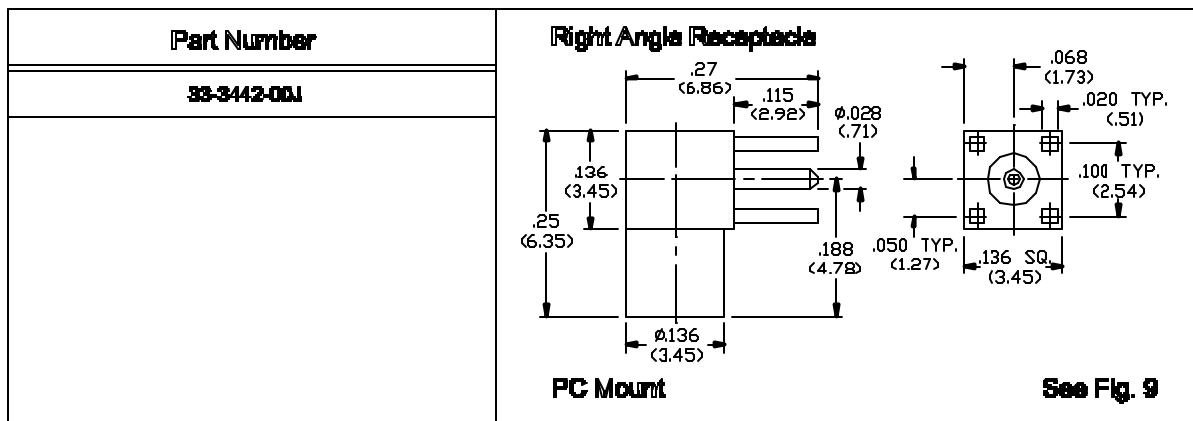
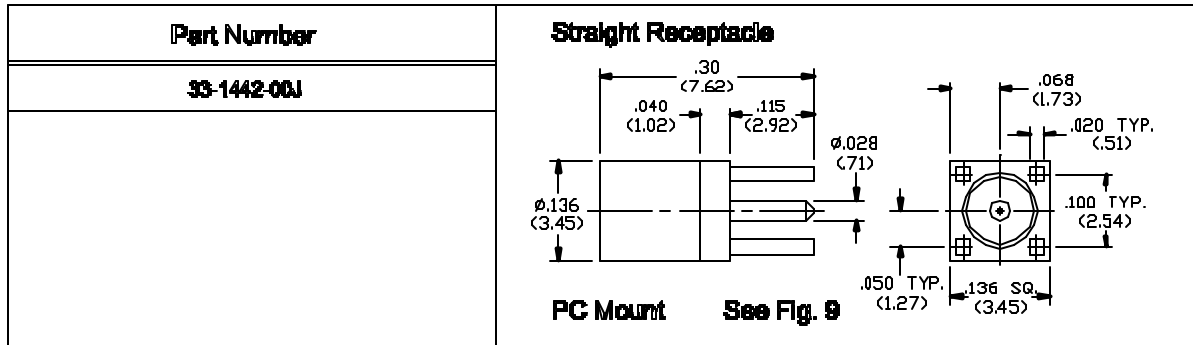
Part Number	Type	Right Angle Receptacle
33-3448-01J	Individual	
33-3448-0XJ	Tape And Reel	
		Surface Mount See Fig. 8

33 Series Pad Layout

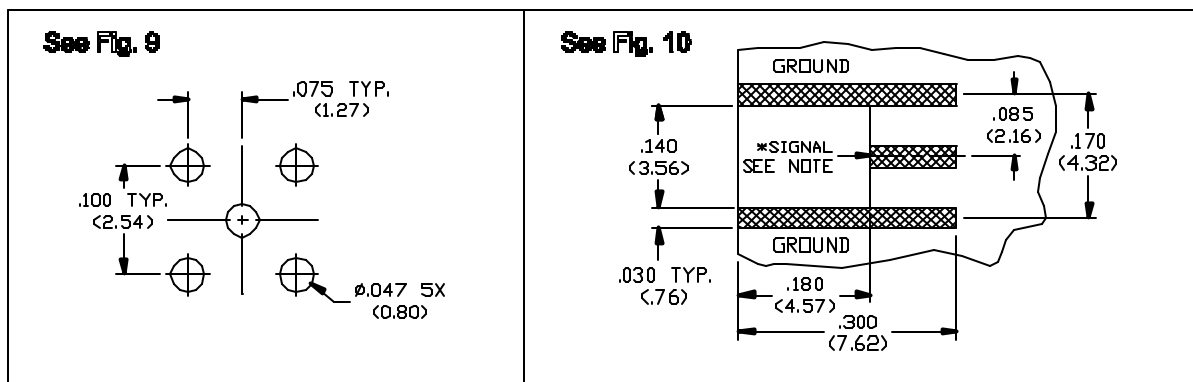
<p>See Fig. 7</p> 	<p>See Fig. 8</p> 
--	---

CATALOG			REV	DESCRIPTION	DATE	APPR
MMCX 33 SERIES - PC MOUNT			01	PRELIMINARY	10/17/07	HN
PAGE 2 OF 4	DATE: 10/17/07					
DRAWN: ALS	APPROVED: HN					
NON-MAGNETIC CONNECTORS						
22 GREAT HILL ROAD, NAUGATUCK, CT. 06770 PHONE: (203) 729-9090 FAX: (203) 723-1794						

NON-MAGNETIC CONNECTORS
MMCX 33 SERIES - PC MOUNT



33 Series Surface Pad and PC Mount Layout



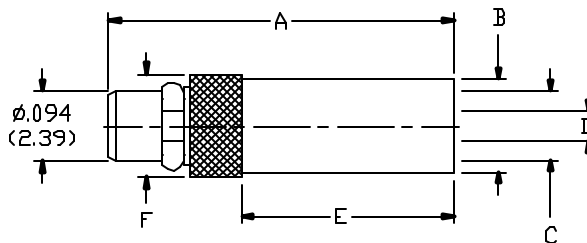
***NOTE:** We recommend that the final size and shape of the signal trace be optimized to compensate for differences in board material and thickness. All traces should be 1 oz. for maximum adhesion.

CATALOG		PALEO CONNECTOR	REV	DESCRIPTION	DATE	APPR
MMCX 33 SERIES-CRIMP			01	PRELIMINARY	10/18/07	HN
PAGE 3 OF 4	DATE: 10/18/07					
DRAWN: ALS	APPROVED: HN					
NON-MAGNETIC CONNECTORS		22 GREAT HILL ROAD, NAUGATUCK, CT. 06770		PHONE: (203) 729-9090		FAX: (203) 723-1794

NON-MAGNETIC CONNECTORS
MMCX 33 SERIES - CRIMP

Part Number	A	B DIA.	C DIA.	D DIA.	E	F DIA.	Cable
33-0900-0400J	.40 (11.00)	.124 (3.15)	.082 (2.34)	.040 (1.02)	.260 (7.11)	.137 (3.48)	RG178, 186, 404
33-0900-0670J	.51 (12.93)	.162 (4.13)	.128 (3.25)	.067 (1.70)	.260 (6.35)	.170 (4.32)	RG174, 179, 187, 188, 316
33-0900-2670J	.51 (12.93)	.178 (4.55)	.142 (3.61)	.067 (1.70)	.260 (6.35)	.170 (4.32)	RG316 D.S. (M17/152)

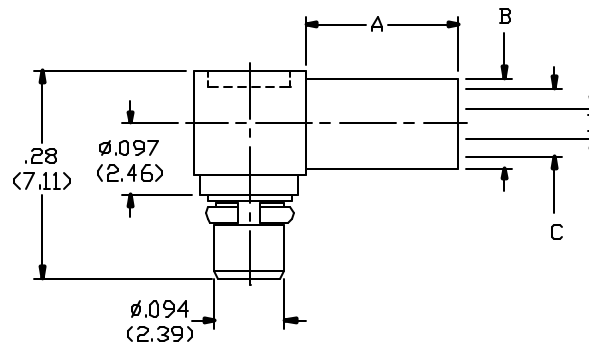
Straight Plug



CRIMP

Part Number	A	B DIA.	C DIA.	D DIA.	Cable
33-2800-0400J	.300 (7.62)	.120 (3.04)	.082 (2.34)	.040 (1.02)	RG178, 186, 404
33-2800-0670J	.260 (6.35)	.162 (4.13)	.128 (3.25)	.067 (1.70)	RG174, 179, 187, 188, 316
33-2800-2670J	.260 (6.35)	.178 (4.55)	.142 (3.61)	.067 (1.70)	RG316 D.S. (M17/152)

Right Angle Plug



CRIMP

CATALOG		 22 GREAT HILL ROAD, NAUGATUCK, CT. 06770 PHONE: (203) 729-9090 FAX: (203) 723-1794	REV	DESCRIPTION	DATE	APPR
MMCX 33 SERIES - SOLDER			01	PRELIMINARY	10/19/07	HN
PAGE 4 OF 4	DATE: 10/19/07					
DRAWN: ALS	APPROVED: HN					
NON-MAGNETIC CONNECTORS						

NON-MAGNETIC CONNECTORS
MMCX 33 SERIES - SOLDER

Part Number	Cable	Straight Plug
33-0200-0880J	RG405 - M17/133 (.006 S.R.)	

Part Number	A DIA.	B DIA.	Cable	Right Angle Plug
33-2200-0470J	$\phi .061$ (1.30)	$\phi .086$ (2.16)	M17/151 (.047 S.R.)	
33-2200-0880J	$\phi .061$ (2.31)	$\phi .120$ (3.05)	RG405 - M17/133 (.006 S.R.)	