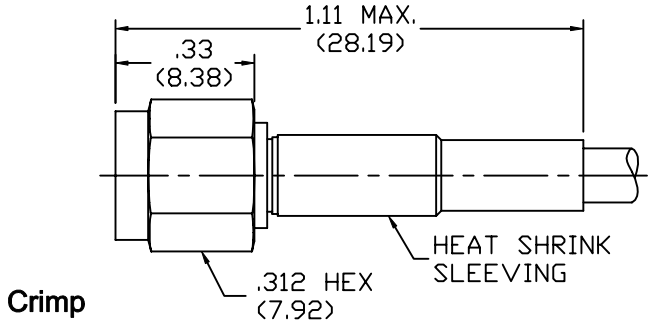
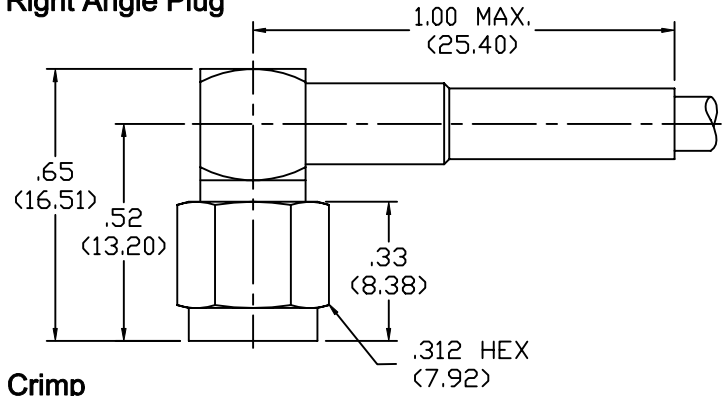
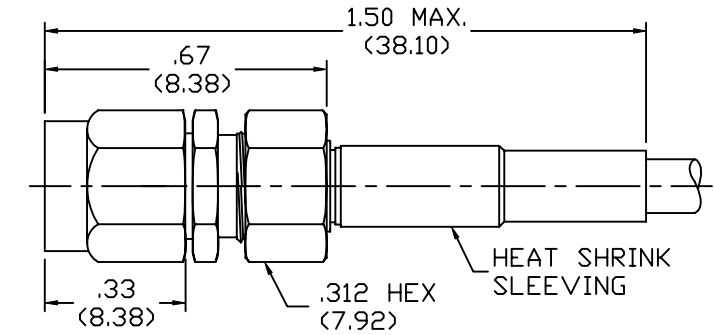


REV	DESCRIPTION	DATE	APPR
01	PRELIMINARY	10/26/07	HN

NON-MAGNETIC CONNECTORS SMA 22 SERIES - CRIMP & CRIMP/CLAMP

Part Number	Cable	Straight Plug 
22-0800-0670J	RG174, 179, 187, 188, 316	
22-0800-1201J	RG55, 142, 223, 400	
22-0800-2670J	RG316 D.S. (M17/152)	

Part Number	Cable	Right Angle Plug 
22-2800-0400J	RG178, 196	
22-2800-0670J	RG174, 179, 187, 188, 316	
22-2800-1201J	RG55, 142, 223, 400	
22-2800-2670J	RG316 D.S. (M17/152)	

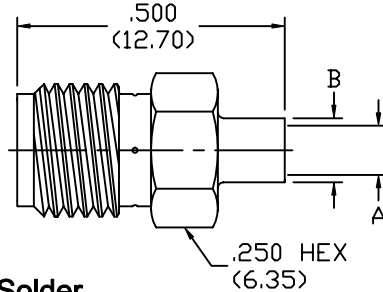
Part Number	Cable	Straight Plug 
22-0800-0402J	RG178, 196	
22-0800-0672J	RG174, 179, 187, 188, 316	
22-0800-2672J	RG316 D.S. (M17/152)	

REV	DESCRIPTION	DATE	APPR
01	PRELIMINARY	10/29/07	HN

NON-MAGNETIC CONNECTORS SMA 22 SERIES - DIRECT SOLDER

Part Number	A DIA.	B DIA.	Cable
22-1200-0868J	Ø .092 (2.34)	Ø .120 (3.05)	RG405-M17/133 (.086 S.R.)
22-1200-1418J	Ø .145 (3.68)	Ø .180 (4.57)	RG402-M17/130 (.141 S.R.)

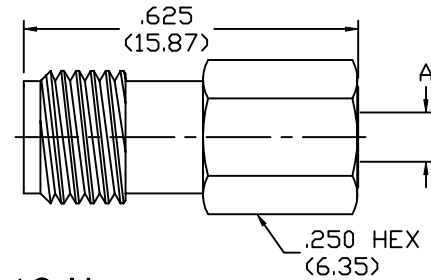
Straight Jack



Direct Solder

Part Number	A DIA.	Cable
22-1200-0867J	Ø .092 (2.34)	RG405-M17/133 (.086 S.R.)
22-1200-1417J	Ø .145 (3.68)	RG402-M17/130 (.141 S.R.)

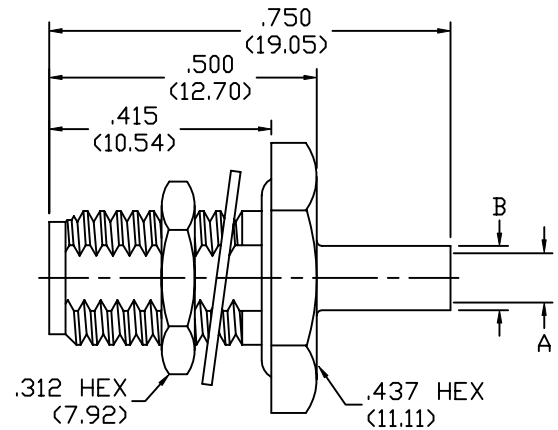
Straight Jack



Direct Solder

Part Number	A DIA.	B DIA.	Cable
22-1265-0867J	Ø .092 (2.34)	Ø .120 (3.05)	RG405-M17/133 (.086 S.R.)
22-1265-1417J	Ø .145 (3.68)	Ø .180 (4.57)	RG402-M17/130 (.141 S.R.)

Straight Jack Bulkhead



Direct Solder

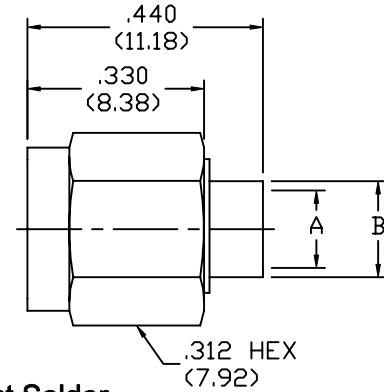
See Fig. 5

REV	DESCRIPTION	DATE	APPR
01	PRELIMINARY	10/30/07	HN

NON-MAGNETIC CONNECTORS SMA 22 SERIES - DIRECT SOLDER

Part Number	A DIA.	B DIA.	Cable
22-0200-0868J	∅ .092 (2.34)	∅ .120 (3.05)	RG405-M17/133 (.086 S.R.)
22-0200-1418J	∅ .145 (3.68)	∅ .180 (4.57)	RG402-M17/130 (.141 S.R.)

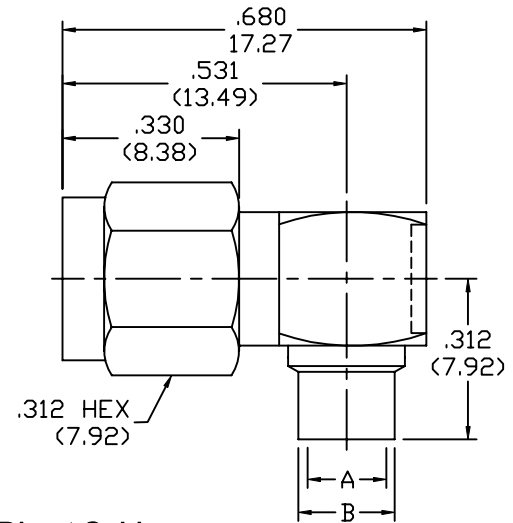
Straight Plug



Direct Solder

Part Number	A DIA.	B DIA.	Cable
22-2200-0400J	∅ .092 (2.34)	∅ .120 (3.05)	RG178, 196
22-2200-0860J	∅ .092 (2.34)	∅ .120 (3.05)	RG405-M17/133 (.086 S.R.)
22-2200-1410J	∅ .145 (3.68)	∅ .180 (4.57)	RG402-M17/130 (.141 S.R.)

Right Angle Plug

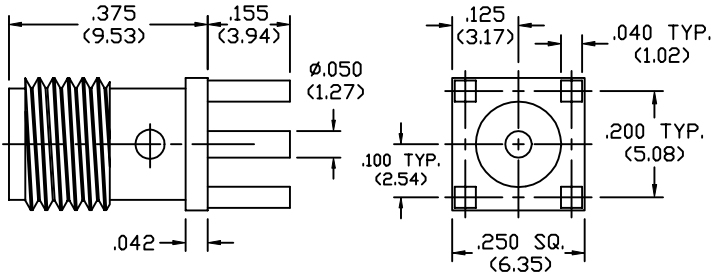


Direct Solder

REV	DESCRIPTION	DATE	APPR
01	PRELIMINARY	10/30/07	HN

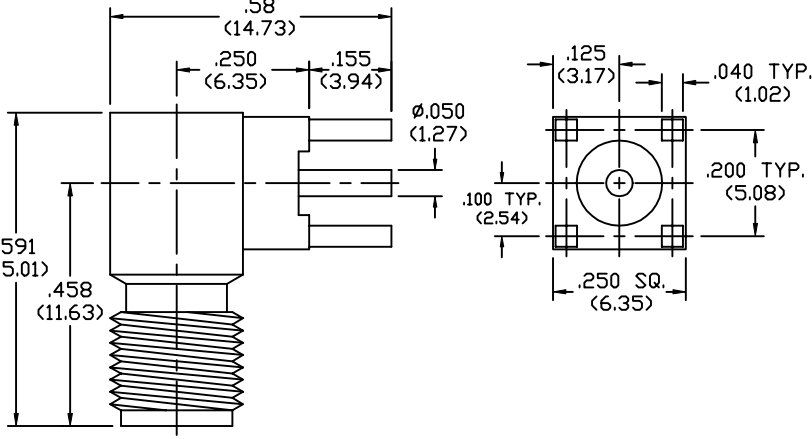
NON-MAGNETIC CONNECTORS SMA 22 SERIES - PC MOUNT

Part Number	Straight Jack
22-1450-00J	



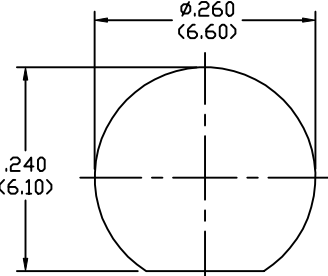
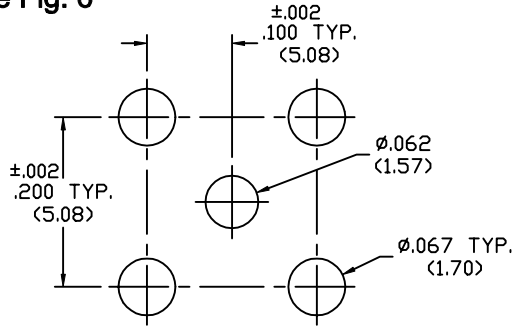
PC Mount
See Fig. 6

Part Number	Right Angle Jack
22-3450-00J	



PC Mount
See Fig. 6

22 Series Panel Mount D Hole And PC Mount Layout

<p>See Fig. 5</p> 	<p>See Fig. 6</p> 
---	--