

REV	DESCRIPTION	DATE	APPR
A	PER ECN 8632	08/24/06	JEM

DESCRIPTION: 09 SERIES, SMB, PER BS EN 122340 NON-MAGNETIC.

## MECHANICAL

### MATERIALS:

BODIES, MALE CONTACTS, FERRULES AND CAPS - BRASS 61D, ALLOY 36000 ( < 0.01 Fe).  
INSULATORS - TEFLON (PTFE) PER ASTM-D-1710.  
FEMALE CONTACTS AND SPRING RING - BERYLLIUM COPPER PER ASTM-B-196.

### FINISHES (ADD LETTER "J" TO END OF PART NUMBER)

GOLD PER MIL-G-45204.  
COPPER PER MIL-C-14550.  
CONTACTS: - .000030 MIN. GOLD OVER COPPER.  
BODIES: - .000020 MIN. GOLD OVER COPPER.  
OTHER METAL PARTS:  
GOLD PLATED TO MEET THE ENVIRONMENTAL REQUIREMENTS.  
RESIDUAL MAGNETISM BELOW 20 GAMMA.

## MATING CHARACTERISTICS

CENTER CONTACT PIN AND SOCKET PER MIL-C-39012.  
CENTER CONTACT ENGAGEMENT/DISENGAGEMENT FORCES:  
FEMALE CONTACT INSERTION FORCES 2.5 LBS. MAX.  
WITHDRAWAL FORCES 1 OZ. MIN. PER MIL-C-39012.  
ENGAGEMENT - INITIAL 14 LBS. MAX., AFTER 500 CYCLES, 2 LBS. MIN.  
DURABILITY: 500 CYCLES.  
CONFORMS TO BS EN 122340 STANDARDS.

## ELECTRICALS

IMPEDANCE: 50 OHMS.  
FREQUENCY RANGE: DC TO 4 GHz.  
VOLTAGE RATING: 335 VOLTS RMS.  
INSULATION RESISTANCE: 1000 MEGOHMS MIN.  
DWV: - RG-178 CABLE OR EQUIVALENT 750 VOLTS RMS.  
RG-316 CABLE OR EQUIVALENT 1,000 VOLTS RMS.  
RF HIGH POTENTIAL: - STRAIGHT CONNECTOR, SOLDER POT, 600 VOLTS RMS.  
RG-178 OR EQUIVALENT 500 VOLTS RMS.  
RG-316 OR EQUIVALENT 700 VOLTS RMS.  
CONTACT RESISTANCE: STRAIGHT CONNECTOR: 6.0 MILLIOHMS.  
RIGHT ANGLE CONNECTOR: 12 MILLIOHMS.  
VSWR: STRAIGHT CONNECTOR RG-178 OR EQUIVALENT 1.30 + .04f(GHz).  
STRAIGHT CONNECTOR RG-316 OR EQUIVALENT 1.25 + .04f(GHz).  
RIGHT ANGLE CONNECTOR RG-178 OR EQUIVALENT 1.45 + .04f(GHz).  
RIGHT ANGLE CONNECTOR RG-316 OR EQUIVALENT 1.35 + .04f(GHz).  
CORONA LEVE: 70,000 FT. - 185 VOLTS (RG-178).  
250 VOLTS (RG-316).  
RF LEAKAGE - -55 dB MIN. @ 2-3 GHz.  
INSERTION LOSS: STRAIGHT CABLE CONNECTOR 0.3dB MAX. 1.5 GHz.  
RIGHT ANGLE CABLE CONNECTOR 0.6 dB MAX. @ 1.5 GHz.

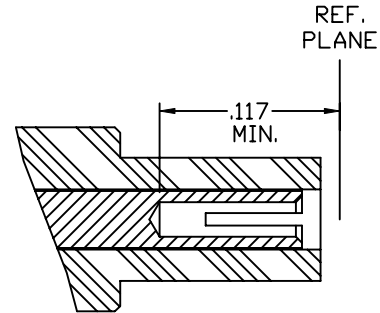
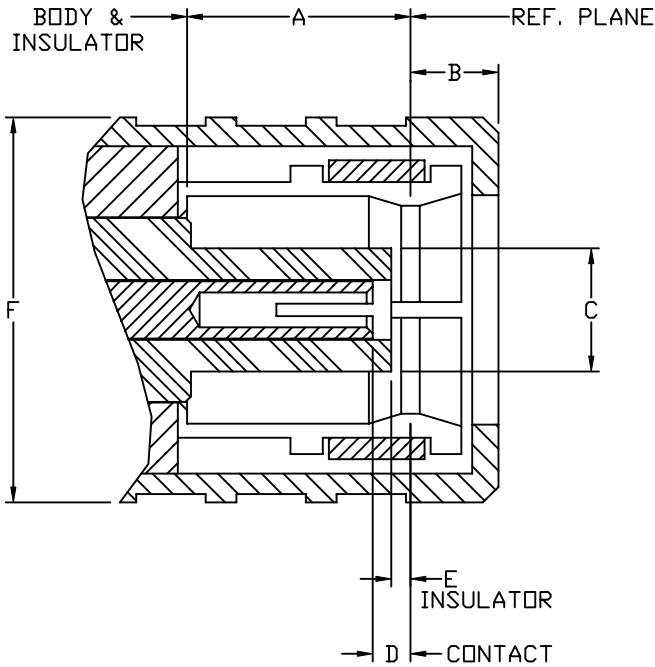
## ENVIRONMENTAL

TEMPERATURE RATING: -65°C TO +165°C  
VIBRATION: MIL-STD-202, METHOD 204, TEST CONDITION D.  
SHOCK: MIL-STD-202, METHOD 213, TEST CONDITION A.  
THERMAL SHOCK: MIL-STD-202, METHOD 107, TEST CONDITION B.  
CORROSION: MIL-STD-202, METHOD 101, TEST CONDITION B.

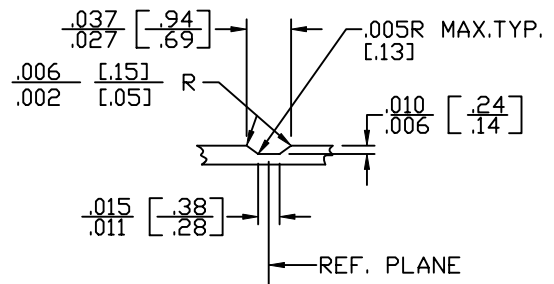
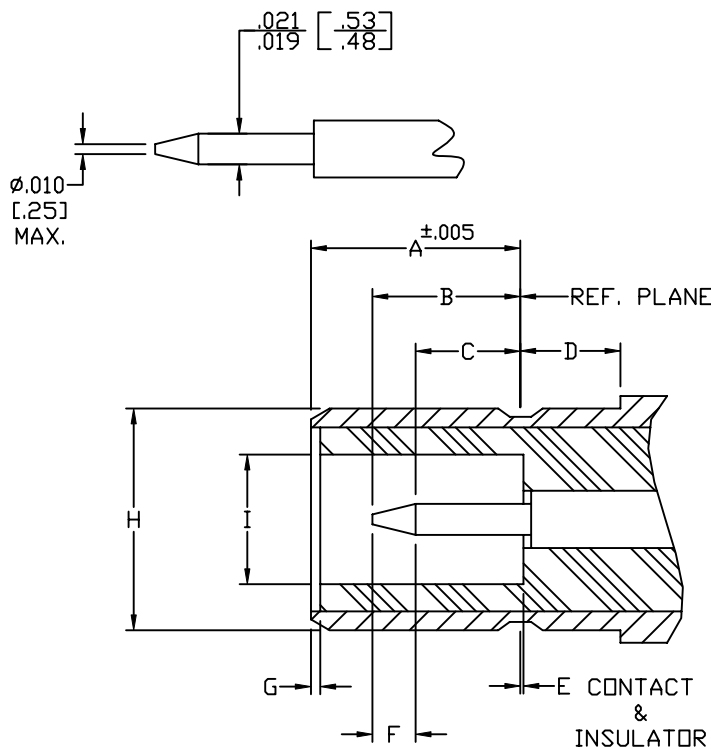
REV	DESCRIPTION	DATE	APPR
A	PER ECN 8632	08/24/06	JEM

DESCRIPTION: 09 SERIES, SMB, PER BS EN 122340 NON-MAGNETIC.

DIMENSIONS ARE TO MIL-STD-348A.



	INCH	[mm]	SUFFIX
A	.141	[3.58]	MIN.
B	.064	[1.63]	MAX.
C	∅.081	[∅2.06]	MAX.
D	<u>.007</u> .037	<u>[.18]</u> [.94]	
E	.007	[.18]	MIN.
F	∅.250	[∅6.35]	



	INCH	[mm]	SUFFIX
A	.136	[3.45]	
B	.117	[2.97]	MAX.
C	.052	[1.32]	MIN.
D	.065	[1.65]	MIN.
E	.007	[.178]	MAX.
F	.010	[.25]	MIN.
G	.000	[.00]	MIN.
H	∅.146	[∅3.71]	MAX.
I	∅.082	[∅2.08]	MIN.

DIMENSIONS ARE TO MIL-STD-348A.