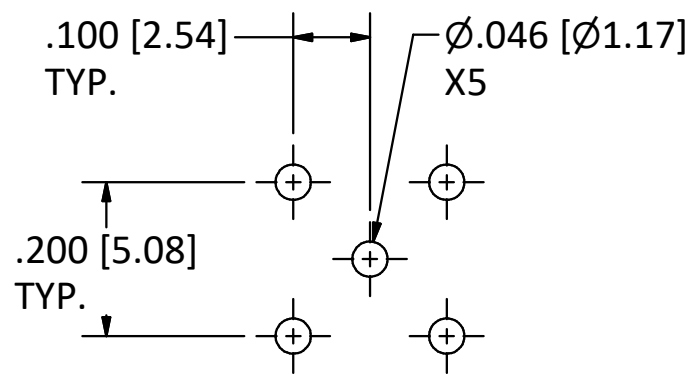


4

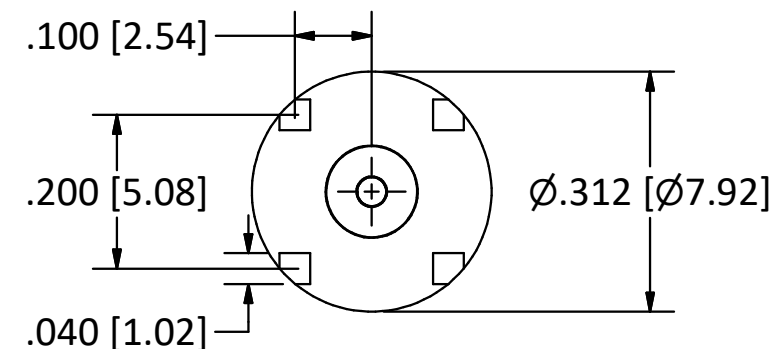
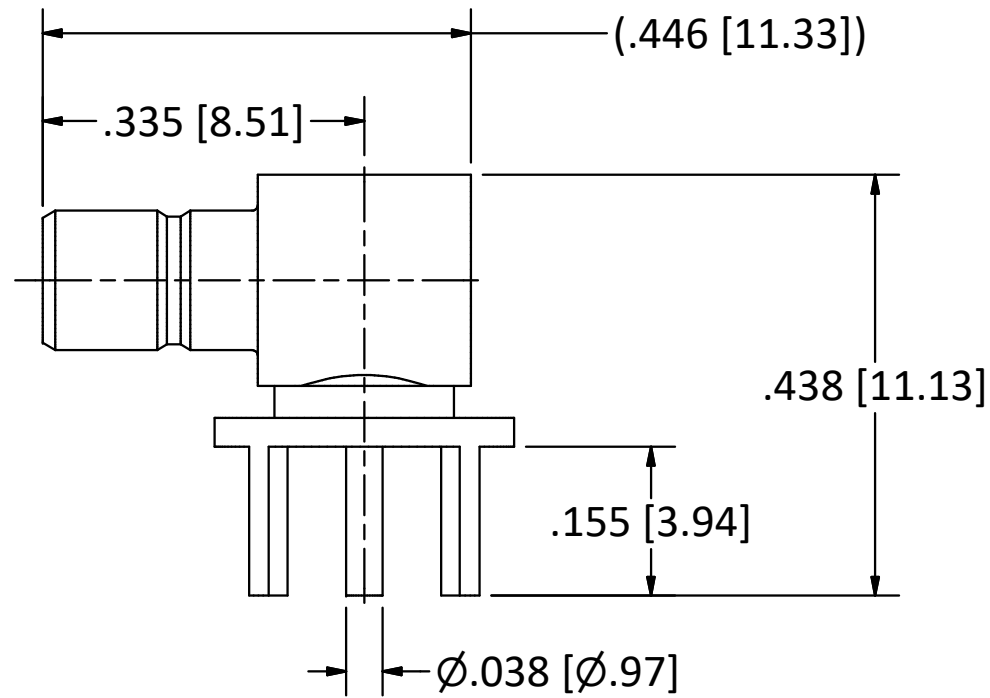
3

2

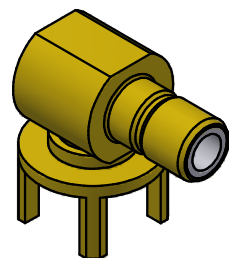
1



RECOMMENDED MOUNTING HOLES



- NOTES:
 1. SPECIFICATIONS PER IDS-09J.
 2. MAGNETISM: <1.00000 mu.



SCALE 2.5 : 1

REV.	DESCRIPTION	DATE	BY
E	PER ECN 9860	4/09/09	JEM
D	PER ECN 9405	5/23/08	JEM
C	PER ECN 7079	5/23/03	HN
B	PER ECN 4190	11/25/97	HN
A	PER ECN 1917	3/27/92	PP

This drawing embodies a proprietary design of The Phoenix Company of Chicago, Inc., Naugatuck, CT 06770. All design, manufacturing, reproduction, use, sale, and other rights regarding the same are expressly reserved. The information in this drawing may be covered completely or in part by patents and/or patents pending.

WARNING - THIS DOCUMENT CONTAINS TECHNICAL DATA WHOSE EXPORT IS RESTRICTED BY THE ARMS EXPORT CONTROL ACT (TITLE 22, U.S.C., SEC 2751, ET. SEQ.) OR THE EXPORT ADMINISTRATION ACT OF 1979, AS AMENDED, TITLE 50, U.S.C., APP 2401 ET SEQ. VIOLATIONS OF THESE EXPORT LAWS ARE SUBJECT TO SEVERE CRIMINAL PENALTIES. DISSEMINATE IN ACCORDANCE WITH PROVISIONS OF DOD DIRECTIVE 5230.25.

Filename: ver2\Autodesk Inventor Data Base\Assemblies\09 Series\09-3450-00J-CU.idw

UNLESS OTHERWISE SPECIFIED, PHOENIX WORKMANSHIP STANDARDS APPLY DIMENSIONS IN INCHES OR (METRIC)

DO NOT SCALE PRINTS
 TOLERANCES ARE:
 FRACTIONS: ± 1/64
 DECIMALS: .XX ± .01
 .XXX ± .003
 ANGLES: ± 1/2°

32

APPROVALS	DATE
DRAWN YS	3/27/1992
CHECKED JEM	3/27/1992
QA	
MFG	
ENGINEER EK	3/27/1992
APPROVED JEM	3/27/1992

The **PHOENIX** Company of Chicago, Inc.

22 GREAT HILL RD., NAUGATUCK, CT 06770
 WWW.PHOENIXOFCHICAGO.COM
 PHONE: (800) 323-9562 FAX:(630) 206-1801

TITLE
SMB RIGHT ANGLE JACK, PRINTED CIRCUIT MOUNT

SIZE	FSCM	DWG NO	REV	PLATING OPT.
B	58167	09-3450-00J	E	
SCALE	5 : 1	F.S.R. #	SHEET	1 OF 1

4

3

2

1