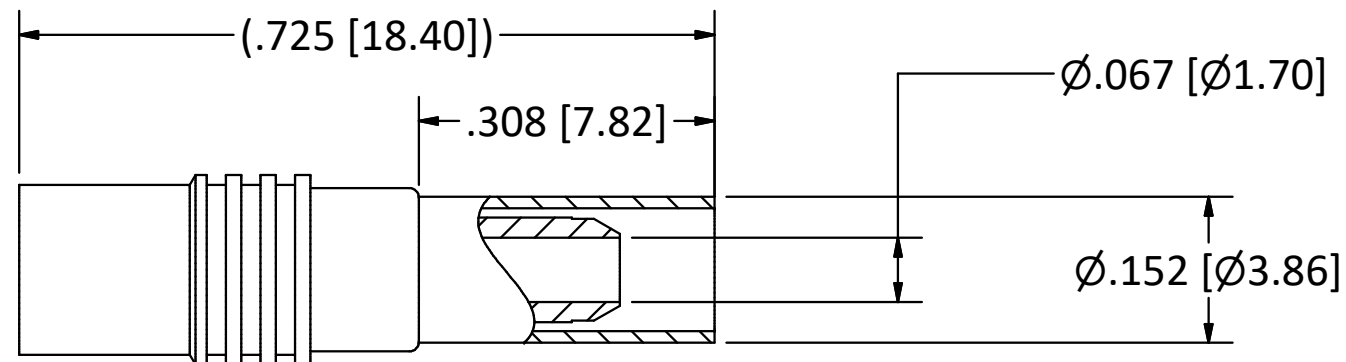
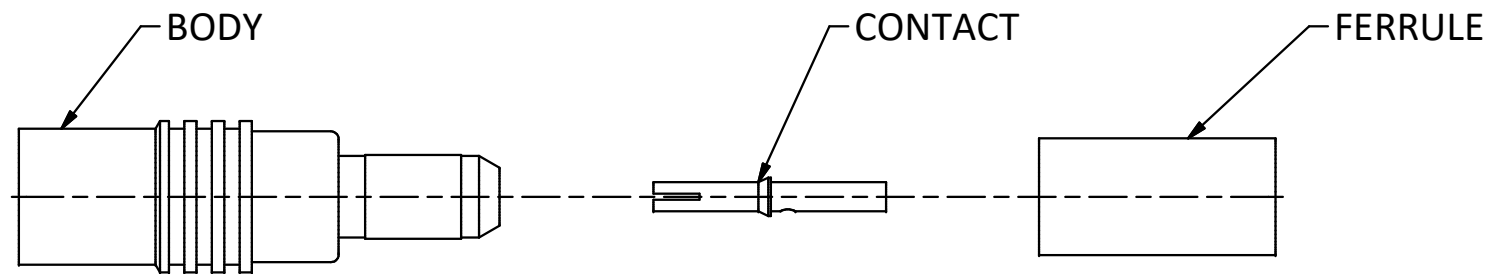


4

3

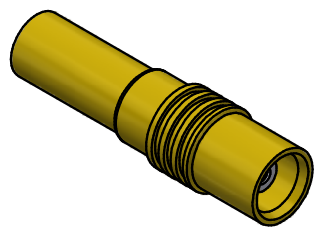
2

1



NOTES:

- 1. SPECIFICATIONS PER IDS-13J.
- 2. CONTACT AND FERRULE SHIPPED LOOSE.
- 3. ACCOMMODATES RG-174, RG-179, RG-187, RG-188, OR RG-316 CABLE.
- 4. CRIMP USING .128 HEX DIE (M22520/5-03).
- 5. MAGNETISM: <1.00000 mu.



SCALE 2.5 : 1

<p>This drawing embodies a proprietary design of The Phoenix Company of Chicago, Inc., Naugatuck, CT 06770. All design, manufacturing, reproduction, use, sale, and other rights regarding the same are expressly reserved. The information in this drawing may be covered completely or in part by patents and/or patents pending.</p>				<p>WARNING - THIS DOCUMENT CONTAINS TECHNICAL DATA WHOSE EXPORT IS RESTRICTED BY THE ARMS EXPORT CONTROL ACT (TITLE 22, U.S.C., SEC 2751, ET. SEQ.) OR THE EXPORT ADMINISTRATION ACT OF 1979, AS AMENDED, TITLE 50, U.S.C., APP 2401 ET SEQ. VIOLATIONS OF THESE EXPORT LAWS ARE SUBJECT TO SEVERE CRIMINAL PENALTIES. DISSEMINATE IN ACCORDANCE WITH PROVISIONS OF DOD DIRECTIVE 5230.25.</p>		<p>Filename: ver2\Autodesk Inventor Data Base\Assemblies\13 Series\13-1900-0670J-CU.idw</p>		<p>The PHOENIX Company of Chicago, Inc.</p> <p>22 GREAT HILL RD., NAUGATUCK, CT 06770 WWW.PHOENIXOFCHICAGO.COM PHONE: (800) 323-9562 FAX:(630) 206-1801</p>													
						<p>UNLESS OTHERWISE SPECIFIED, PHOENIX WORKMANSHIP STANDARDS APPLY DIMENSIONS IN INCHES OR (METRIC)</p> <p>DO NOT SCALE PRINTS</p> <p>TOLERANCES ARE: FRACTIONS: ± 1/64 DECIMALS: .XX ± .01 .XXX ± .003 ANGLES: ± 1/2°</p>		<table border="1"> <thead> <tr> <th>APPROVALS</th> <th>DATE</th> </tr> </thead> <tbody> <tr> <td>DRAWN MS</td> <td>4/8/2010</td> </tr> <tr> <td>CHECKED JEM</td> <td>4/8/2010</td> </tr> <tr> <td>QA</td> <td></td> </tr> <tr> <td>MFG</td> <td></td> </tr> <tr> <td>ENGINEER MS</td> <td>4/8/2010</td> </tr> <tr> <td>APPROVED JEM</td> <td>4/8/2010</td> </tr> </tbody> </table>		APPROVALS	DATE	DRAWN MS	4/8/2010	CHECKED JEM	4/8/2010	QA		MFG		ENGINEER MS	4/8/2010
APPROVALS	DATE																				
DRAWN MS	4/8/2010																				
CHECKED JEM	4/8/2010																				
QA																					
MFG																					
ENGINEER MS	4/8/2010																				
APPROVED JEM	4/8/2010																				
<table border="1"> <thead> <tr> <th>REV.</th> <th>DESCRIPTION</th> <th>DATE</th> <th>BY</th> </tr> </thead> <tbody> <tr> <td>E</td> <td>PER ECN 10756</td> <td>11/30/10</td> <td>JEM</td> </tr> <tr> <td>D</td> <td>PER ECN 10271</td> <td>04/08/10</td> <td>JEM</td> </tr> </tbody> </table>		REV.	DESCRIPTION	DATE	BY	E	PER ECN 10756	11/30/10	JEM	D	PER ECN 10271	04/08/10	JEM			<p>SIZE B FSCM 58167 DWG NO 13-1900-0670J REV E PLATING OPT.</p>		<p>SCALE 2.5 : 1 F.S.R. # SHEET 1 OF 1</p>			
REV.	DESCRIPTION	DATE	BY																		
E	PER ECN 10756	11/30/10	JEM																		
D	PER ECN 10271	04/08/10	JEM																		

4

3

2

1