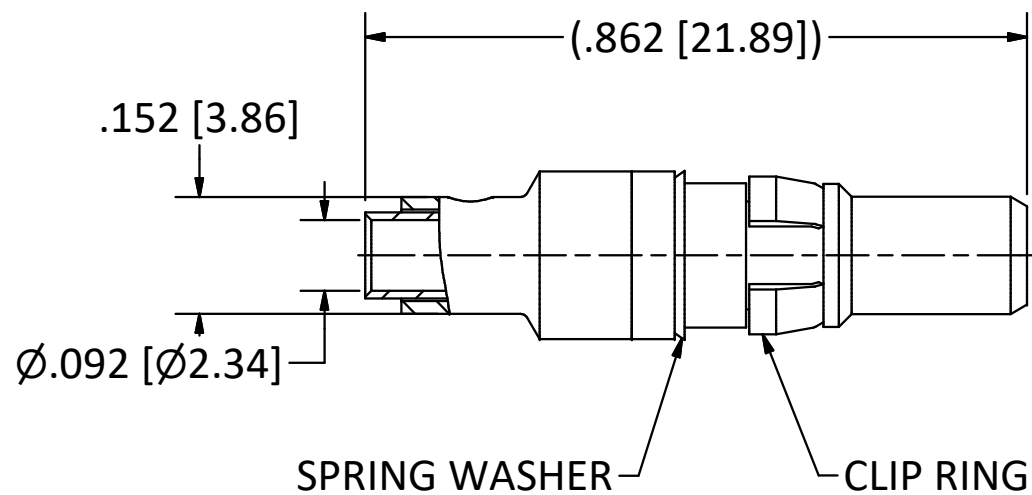
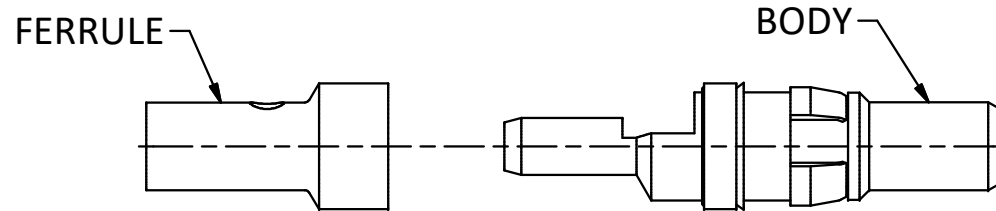


4

3

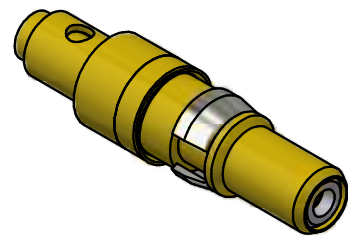
2

1



NOTES:

- 1. SPECIFICATIONS PER IDS-15J.
  - 2. FERRULE SHIPPED LOOSE.
  - 3. ACCOMMODATES RG-405 (.086 SEMI-RIGID) OR EQUIVALENT FLEXIBLE CABLE.
  - 4. MAGNETISM: <1.00000 mu.
- HOUSING:** D-SUBMINIATURE, SIZE 8 CAVITY.



SCALE 2.5 : 1

<p>This drawing embodies a proprietary design of The Phoenix Company of Chicago, Inc., Naugatuck, CT 06770. All design, manufacturing, reproduction, use, sale, and other rights regarding the same are expressly reserved. The information in this drawing may be covered completely or in part by patents and/or patents pending.</p>				<p>WARNING - THIS DOCUMENT CONTAINS TECHNICAL DATA WHOSE EXPORT IS RESTRICTED BY THE ARMS EXPORT CONTROL ACT (TITLE 22, U.S.C., SEC 2751, ET. SEQ.) OR THE EXPORT ADMINISTRATION ACT OF 1979, AS AMENDED, TITLE 50, U.S.C., APP 2401 ET SEQ. VIOLATIONS OF THESE EXPORT LAWS ARE SUBJECT TO SEVERE CRIMINAL PENALTIES. DISSEMINATE IN ACCORDANCE WITH PROVISIONS OF DOD DIRECTIVE 5230.25.</p>		<p>Filename: ver2\Autodesk Inventor Data Base\Assemblies\15 Series\15-0020-0860J-CU.idw</p>		<p><b>The PHOENIX Company of Chicago, Inc.</b></p> <p>22 GREAT HILL RD., NAUGATUCK, CT 06770 WWW.PHOENIXOFCHICAGO.COM PHONE: (800) 323-9562 FAX:(630) 206-1801</p>													
						<p>UNLESS OTHERWISE SPECIFIED, PHOENIX WORKMANSHIP STANDARDS APPLY DIMENSIONS IN INCHES OR (METRIC)</p> <p>DO NOT SCALE PRINTS</p> <p>TOLERANCES ARE: FRACTIONS: ± 1/64 DECIMALS: .XX ± .01 .XXX ± .003 ANGLES: ± 1/2°</p>		<table border="1"> <thead> <tr> <th>APPROVALS</th> <th>DATE</th> </tr> </thead> <tbody> <tr> <td>DRAWN JEM</td> <td>11/14/2013</td> </tr> <tr> <td>CHECKED JEM</td> <td>11/14/2013</td> </tr> <tr> <td>QA</td> <td></td> </tr> <tr> <td>MFG</td> <td></td> </tr> <tr> <td>ENGINEER JEM</td> <td>11/14/2013</td> </tr> <tr> <td>APPROVED JEM</td> <td>11/14/2013</td> </tr> </tbody> </table>		APPROVALS	DATE	DRAWN JEM	11/14/2013	CHECKED JEM	11/14/2013	QA		MFG		ENGINEER JEM	11/14/2013
APPROVALS	DATE																				
DRAWN JEM	11/14/2013																				
CHECKED JEM	11/14/2013																				
QA																					
MFG																					
ENGINEER JEM	11/14/2013																				
APPROVED JEM	11/14/2013																				
<table border="1"> <thead> <tr> <th>REV.</th> <th>DESCRIPTION</th> <th>DATE</th> <th>BY</th> </tr> </thead> <tbody> <tr> <td>E</td> <td>ECN 11802</td> <td>11/14/13</td> <td>JEM</td> </tr> </tbody> </table>		REV.	DESCRIPTION	DATE	BY	E	ECN 11802	11/14/13	JEM	<p>SIZE <b>B</b></p>		<p>FSCM 58167</p>		<p>DWG NO <b>15-0020-0860J</b></p>		<p>REV E</p>		<p>PLATING OPT.</p>			
REV.	DESCRIPTION	DATE	BY																		
E	ECN 11802	11/14/13	JEM																		
				<p>SCALE 4:1</p>		<p>F.S.R. #</p>		<p>SHEET 1 OF 1</p>													

4

3

2

1