

4

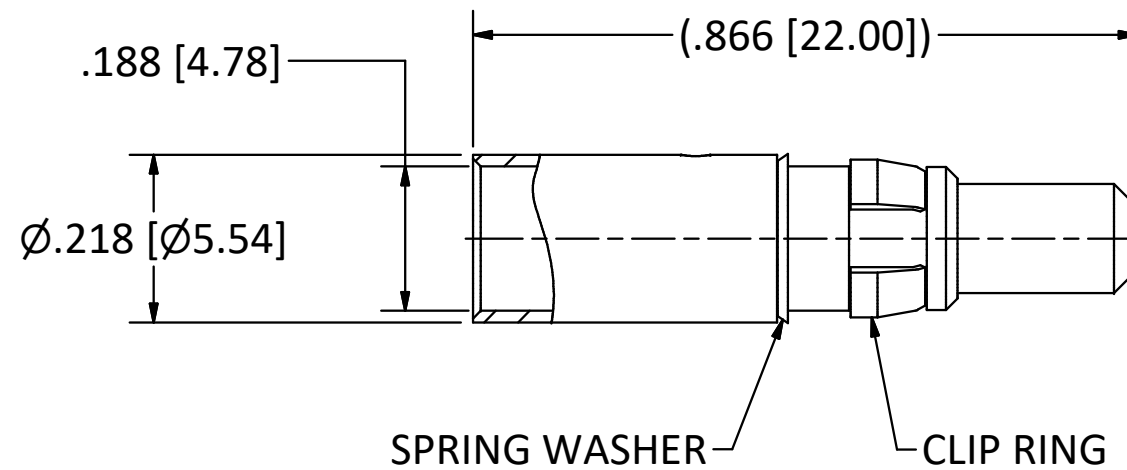
3

2

1

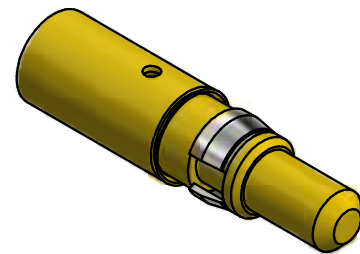
B

B



NOTES:

- 1. SPECIFICATIONS PER IDS-15P.
- 2. ACCOMMODATES 8 AWG STRANDED WIRE.
- HOUSING:** D-SUBMINIATURE, SIZE 8 CAVITY.



SCALE 2.5 : 1

4

3

2

1

A

A

<p>This drawing embodies a proprietary design of The Phoenix Company of Chicago, Inc., Naugatuck, CT 06770. All design, manufacturing, reproduction, use, sale, and other rights regarding the same are expressly reserved. The information in this drawing may be covered completely or in part by patents and/or patents pending.</p>				<p>WARNING - THIS DOCUMENT CONTAINS TECHNICAL DATA WHOSE EXPORT IS RESTRICTED BY THE ARMS EXPORT CONTROL ACT (TITLE 22, U.S.C., SEC 2751, ET. SEQ.) OR THE EXPORT ADMINISTRATION ACT OF 1979, AS AMENDED, TITLE 50, U.S.C., APP 2401 ET SEQ. VIOLATIONS OF THESE EXPORT LAWS ARE SUBJECT TO SEVERE CRIMINAL PENALTIES. DISSEMINATE IN ACCORDANCE WITH PROVISIONS OF DOD DIRECTIVE 5230.25.</p>		<p>Filename: \\Autodesk Inventor Data Base\Assemblies\78 Series\78-1080-0670-CU-Layout for C Sized Drawing.idw</p>		<p>The PHOENIX Company of Chicago, Inc. 22 GREAT HILL RD., NAUGATUCK, CT 06770 WWW.PHOENIXOFCHICAGO.COM PHONE: (800) 323-9562 FAX:(630) 206-1801</p>																																																													
						<p>UNLESS OTHERWISE SPECIFIED, PHOENIX WORKMANSHIP STANDARDS APPLY DIMENSIONS IN INCHES OR (METRIC)</p> <p>DO NOT SCALE PRINTS</p> <p>TOLERANCES ARE: FRACTIONS: ± 1/64 DECIMALS: .XX ± .01 .XXX ± .003 ANGLES: ± 1/2'</p>						<table border="1"> <thead> <tr> <th>APPROVALS</th> <th>DATE</th> </tr> </thead> <tbody> <tr> <td>DRAWN MY</td> <td>6/21/1995</td> </tr> <tr> <td>CHECKED HN</td> <td>6/21/1995</td> </tr> <tr> <td>QA</td> <td></td> </tr> <tr> <td>MFG</td> <td></td> </tr> <tr> <td>ENGINEER EW</td> <td>6/21/1995</td> </tr> <tr> <td>APPROVED HN</td> <td>6/21/1995</td> </tr> </tbody> </table>		APPROVALS	DATE	DRAWN MY	6/21/1995	CHECKED HN	6/21/1995	QA		MFG		ENGINEER EW	6/21/1995	APPROVED HN	6/21/1995	<p>TITLE HIGH POWER, PDM PLUG, CRIMP TERMINATION</p>																																									
APPROVALS	DATE																																																																				
DRAWN MY	6/21/1995																																																																				
CHECKED HN	6/21/1995																																																																				
QA																																																																					
MFG																																																																					
ENGINEER EW	6/21/1995																																																																				
APPROVED HN	6/21/1995																																																																				
<table border="1"> <thead> <tr> <th>REV</th> <th>DESCRIPTION</th> <th>DATE</th> <th>BY</th> </tr> </thead> <tbody> <tr> <td>F</td> <td>PER ECN 13565</td> <td>11/6/19</td> <td>JEM</td> </tr> <tr> <td>E</td> <td>PER ECN 10572</td> <td>8/30/10</td> <td>JEM</td> </tr> <tr> <td>D</td> <td>PER ECN 4606</td> <td>7/30/98</td> <td>HN</td> </tr> <tr> <td>C</td> <td>PER ECN 2982</td> <td>6/29/95</td> <td>HN</td> </tr> <tr> <td>B</td> <td>PER ECN 2694</td> <td>6/21/95</td> <td>HN</td> </tr> <tr> <td>REV</td> <td>DESCRIPTION</td> <td>DATE</td> <td>BY</td> </tr> </tbody> </table>		REV	DESCRIPTION	DATE	BY	F	PER ECN 13565	11/6/19	JEM	E	PER ECN 10572	8/30/10	JEM	D	PER ECN 4606	7/30/98	HN	C	PER ECN 2982	6/29/95	HN	B	PER ECN 2694	6/21/95	HN	REV	DESCRIPTION	DATE	BY	<p>UNLESS OTHERWISE SPECIFIED, PHOENIX WORKMANSHIP STANDARDS APPLY DIMENSIONS IN INCHES OR (METRIC)</p> <p>DO NOT SCALE PRINTS</p> <p>TOLERANCES ARE: FRACTIONS: ± 1/64 DECIMALS: .XX ± .01 .XXX ± .003 ANGLES: ± 1/2'</p>		<table border="1"> <thead> <tr> <th>APPROVALS</th> <th>DATE</th> </tr> </thead> <tbody> <tr> <td>DRAWN MY</td> <td>6/21/1995</td> </tr> <tr> <td>CHECKED HN</td> <td>6/21/1995</td> </tr> <tr> <td>QA</td> <td></td> </tr> <tr> <td>MFG</td> <td></td> </tr> <tr> <td>ENGINEER EW</td> <td>6/21/1995</td> </tr> <tr> <td>APPROVED HN</td> <td>6/21/1995</td> </tr> </tbody> </table>		APPROVALS	DATE	DRAWN MY	6/21/1995	CHECKED HN	6/21/1995	QA		MFG		ENGINEER EW	6/21/1995	APPROVED HN	6/21/1995	<table border="1"> <thead> <tr> <th>SIZE</th> <th>FSCM</th> <th>DWG NO</th> <th>REV</th> <th>PLATING OPT.</th> </tr> </thead> <tbody> <tr> <td>B</td> <td>58167</td> <td>15-0080-0001</td> <td>F</td> <td>A, B, C, D</td> </tr> </tbody> </table>		SIZE	FSCM	DWG NO	REV	PLATING OPT.	B	58167	15-0080-0001	F	A, B, C, D	<table border="1"> <thead> <tr> <th>SCALE</th> <th>F.S.R. #</th> <th>SHEET</th> <th>OF</th> </tr> </thead> <tbody> <tr> <td>4 : 1</td> <td></td> <td>1</td> <td>1</td> </tr> </tbody> </table>		SCALE	F.S.R. #	SHEET	OF	4 : 1		1	1
REV	DESCRIPTION	DATE	BY																																																																		
F	PER ECN 13565	11/6/19	JEM																																																																		
E	PER ECN 10572	8/30/10	JEM																																																																		
D	PER ECN 4606	7/30/98	HN																																																																		
C	PER ECN 2982	6/29/95	HN																																																																		
B	PER ECN 2694	6/21/95	HN																																																																		
REV	DESCRIPTION	DATE	BY																																																																		
APPROVALS	DATE																																																																				
DRAWN MY	6/21/1995																																																																				
CHECKED HN	6/21/1995																																																																				
QA																																																																					
MFG																																																																					
ENGINEER EW	6/21/1995																																																																				
APPROVED HN	6/21/1995																																																																				
SIZE	FSCM	DWG NO	REV	PLATING OPT.																																																																	
B	58167	15-0080-0001	F	A, B, C, D																																																																	
SCALE	F.S.R. #	SHEET	OF																																																																		
4 : 1		1	1																																																																		