

4

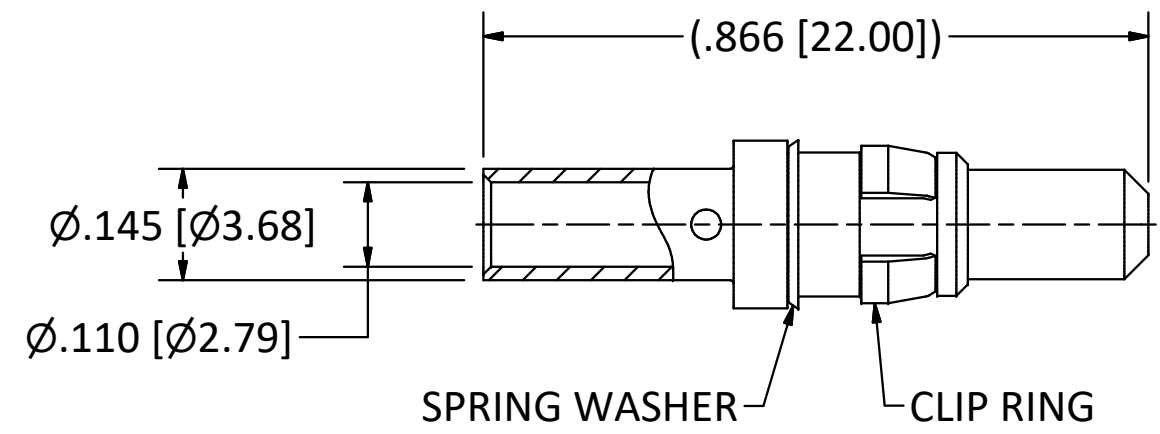
3

2

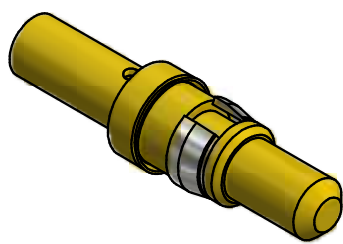
1

B

B



- NOTES:
 1. SPECIFICATIONS PER IDS-15P.
 2. ACCOMMODATES 12 OR 14 AWG STRANDED WIRE.
HOUSING: D-SUBMINIATURE, SIZE 8 CAVITY.



SCALE 2.5 : 1

4

3

2

1

A

A

This drawing embodies a proprietary design of The Phoenix Company of Chicago, Inc., Naugatuck, CT 06770. All design, manufacturing, reproduction, use, sale, and other rights regarding the same are expressly reserved. The information in this drawing may be covered completely or in part by patents and/or patents pending.				WARNING - THIS DOCUMENT CONTAINS TECHNICAL DATA WHOSE EXPORT IS RESTRICTED BY THE ARMS EXPORT CONTROL ACT (TITLE 22, U.S.C., SEC 2751, ET. SEQ.) OR THE EXPORT ADMINISTRATION ACT OF 1979, AS AMENDED, TITLE 50, U.S.C., APP 2401 ET SEQ. VIOLATIONS OF THESE EXPORT LAWS ARE SUBJECT TO SEVERE CRIMINAL PENALTIES. DISSEMINATE IN ACCORDANCE WITH PROVISIONS OF DOD DIRECTIVE 5230.25.		Filename: \Autodesk Inventor Data Base\Assemblies\78 Series\78-1080-0670-CU-Layout for C Sized Drawing.idw		The PHOENIX Company of Chicago, Inc. 22 GREAT HILL RD., NAUGATUCK, CT 06770 WWW.PHOENIXOFCHICAGO.COM PHONE: (800) 323-9562 FAX:(630) 206-1801																															
						UNLESS OTHERWISE SPECIFIED, PHOENIX WORKMANSHIP STANDARDS APPLY DIMENSIONS IN INCHES OR (METRIC) DO NOT SCALE PRINTS TOLERANCES ARE: FRACTIONS: $\pm 1/64$ DECIMALS: $.XX \pm .01$ $.XXX \pm .003$ ANGLES: $\pm 1/2^\circ$						<table border="1"> <thead> <tr> <th>APPROVALS</th> <th>DATE</th> </tr> </thead> <tbody> <tr> <td>DRAWN EW</td> <td>5/28/1995</td> </tr> <tr> <td>CHECKED HN</td> <td>5/28/1995</td> </tr> <tr> <td>QA</td> <td></td> </tr> <tr> <td>MFG</td> <td></td> </tr> <tr> <td>ENGINEER EW</td> <td>5/28/1995</td> </tr> <tr> <td>APPROVED HN</td> <td>5/28/1995</td> </tr> </tbody> </table>		APPROVALS	DATE	DRAWN EW	5/28/1995	CHECKED HN	5/28/1995	QA		MFG		ENGINEER EW	5/28/1995	APPROVED HN	5/28/1995	<table border="1"> <tr> <td colspan="4">TITLE</td> </tr> <tr> <td colspan="4" style="text-align: center;">HIGH POWER, PDM PLUG, CRIMP TERMINATION</td> </tr> <tr> <td>SIZE B</td> <td>FSCM 58167</td> <td>DWG NO 15-0080-0002</td> <td>REV E</td> <td>PLATING OPT. A, B, C, D</td> </tr> <tr> <td colspan="2">SCALE 4 : 1</td> <td>F.S.R. #</td> <td colspan="2">SHEET 1 OF 1</td> </tr> </table>				TITLE				HIGH POWER, PDM PLUG, CRIMP TERMINATION			
APPROVALS	DATE																																						
DRAWN EW	5/28/1995																																						
CHECKED HN	5/28/1995																																						
QA																																							
MFG																																							
ENGINEER EW	5/28/1995																																						
APPROVED HN	5/28/1995																																						
TITLE																																							
HIGH POWER, PDM PLUG, CRIMP TERMINATION																																							
SIZE B	FSCM 58167	DWG NO 15-0080-0002	REV E	PLATING OPT. A, B, C, D																																			
SCALE 4 : 1		F.S.R. #	SHEET 1 OF 1																																				
E	PER ECN 10514	8/13/10	JEM																																				
D	PER ECN 6141	6/1/01	HN																																				
C	PER ECN 5821	2/5/01	HN																																				
B	PER ECN 2982	6/28/95	HN																																				
REV	DESCRIPTION	DATE	BY																																				