

4

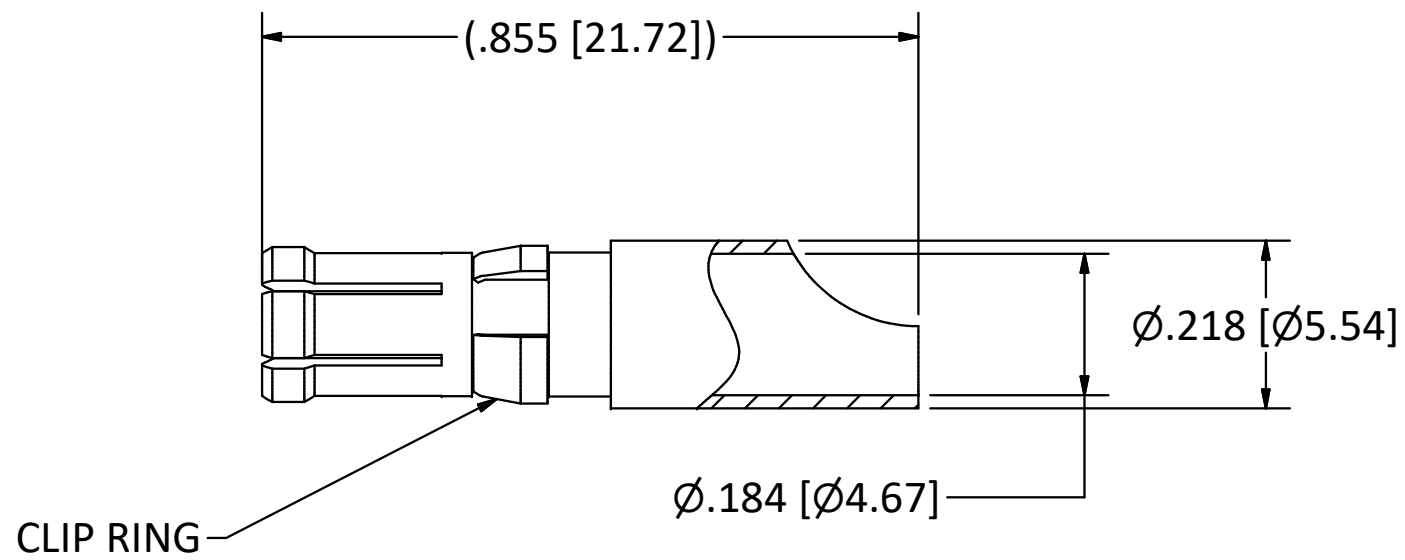
3

2

1

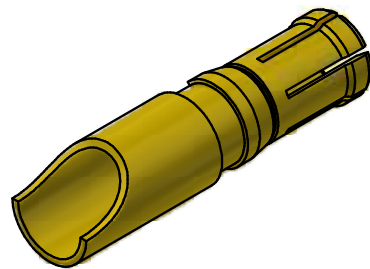
B

B



NOTES:

- 1. SPECIFICATIONS PER IDS-15J.
 - 2. ACCOMMODATES 8 AWG STRANDED WIRE.
 - 3. MAGNETISM: < 1.00000 mu.
- HOUSING:** D-SUBMINIATURE, SIZE 8 CAVITY.



SCALE 2.5 : 1

4

3

2

1

A

A

<p>This drawing embodies a proprietary design of The Phoenix Company of Chicago, Inc., Naugatuck, CT 06770. All design, manufacturing, reproduction, use, sale, and other rights regarding the same are expressly reserved. The information in this drawing may be covered completely or in part by patents and/or patents pending.</p>				<p>WARNING - THIS DOCUMENT CONTAINS TECHNICAL DATA WHOSE EXPORT IS RESTRICTED BY THE ARMS EXPORT CONTROL ACT (TITLE 22, U.S.C., SEC 2751, ET. SEQ.) OR THE EXPORT ADMINISTRATION ACT OF 1979, AS AMENDED, TITLE 50, U.S.C., APP 2401 ET SEQ. VIOLATIONS OF THESE EXPORT LAWS ARE SUBJECT TO SEVERE CRIMINAL PENALTIES. DISSEMINATE IN ACCORDANCE WITH PROVISIONS OF DOD DIRECTIVE 5230.25.</p>		<p>Filename: ver2\Autodesk Inventor Data Base\Assemblies\15 Series\15-1020-0001J-CU.idw</p>		<p>The PHOENIX Company of Chicago, Inc. 22 GREAT HILL RD., NAUGATUCK, CT 06770 WWW.PHOENIXOFCHICAGO.COM PHONE: (800) 323-9562 FAX:(630) 206-1801</p>											
						<p>UNLESS OTHERWISE SPECIFIED, PHOENIX WORKMANSHIP STANDARDS APPLY DIMENSIONS IN INCHES OR (METRIC)</p> <p>DO NOT SCALE PRINTS</p> <p>TOLERANCES ARE: FRACTIONS: $\pm 1/64$ DECIMALS: $.XX \pm .01$ $.XXX \pm .003$ ANGLES: $\pm 1/2^\circ$</p>						<table border="1"> <thead> <tr> <th>APPROVALS</th> <th>DATE</th> </tr> </thead> <tbody> <tr> <td>DRAWN EY</td> <td>1/28/2013</td> </tr> <tr> <td>CHECKED JEM</td> <td>1/28/2013</td> </tr> <tr> <td>QA</td> <td></td> </tr> <tr> <td>MFG</td> <td></td> </tr> <tr> <td>ENGINEER JEM</td> <td>1/28/2013</td> </tr> <tr> <td>APPROVED JEM</td> <td>1/28/2013</td> </tr> </tbody> </table>		APPROVALS	DATE	DRAWN EY	1/28/2013	CHECKED JEM	1/28/2013
APPROVALS	DATE																		
DRAWN EY	1/28/2013																		
CHECKED JEM	1/28/2013																		
QA																			
MFG																			
ENGINEER JEM	1/28/2013																		
APPROVED JEM	1/28/2013																		
<table border="1"> <thead> <tr> <th>D</th> <th>PER ECN 11559</th> <th>01/28/13</th> <th>JEM</th> </tr> <tr> <th>REV.</th> <th>DESCRIPTION</th> <th>DATE</th> <th>BY</th> </tr> </thead> <tbody> <tr> <td> </td> <td> </td> <td> </td> <td> </td> </tr> </tbody> </table>		D	PER ECN 11559	01/28/13	JEM	REV.	DESCRIPTION	DATE	BY					<p>SIZE B FSCM 58167 DWG NO 15-1020-0001J REV D PLATING OPT.</p>		<p>SCALE 4 : 1 F.S.R. # SHEET 1 OF 1</p>			
D	PER ECN 11559	01/28/13	JEM																
REV.	DESCRIPTION	DATE	BY																