

4

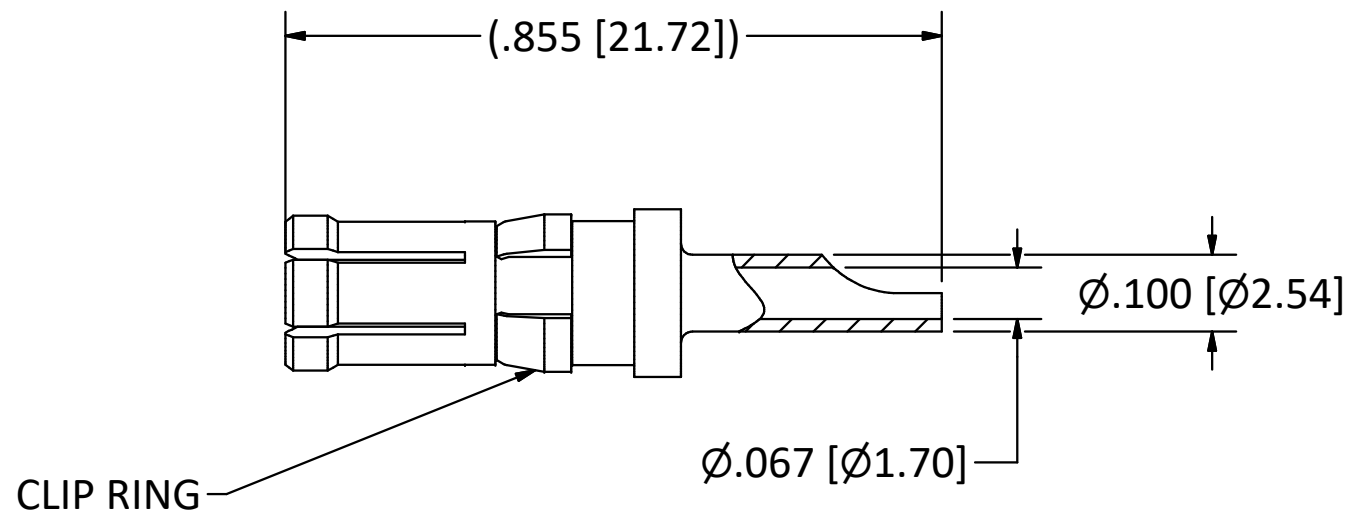
3

2

1

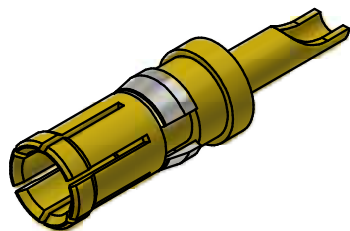
B

B



NOTES:

- 1. SPECIFICATIONS PER IDS-15P.
 - 2. ACCOMMODATES 16 OR 18 AWG STRANDED WIRE.
 - 3. MAGNETISM: < 1.00000 mu.
- HOUSING:** D-SUBMINIATURE, SIZE 8 CAVITY.



SCALE 2.5 : 1

4

3

2

1

A

A

<p>This drawing embodies a proprietary design of The Phoenix Company of Chicago, Inc., Naugatuck, CT 06770. All design, manufacturing, reproduction, use, sale, and other rights regarding the same are expressly reserved. The information in this drawing may be covered completely or in part by patents and/or patents pending.</p>				<p>WARNING - THIS DOCUMENT CONTAINS TECHNICAL DATA WHOSE EXPORT IS RESTRICTED BY THE ARMS EXPORT CONTROL ACT (TITLE 22, U.S.C., SEC 2751, ET. SEQ.) OR THE EXPORT ADMINISTRATION ACT OF 1979, AS AMENDED, TITLE 50, U.S.C., APP 2401 ET SEQ. VIOLATIONS OF THESE EXPORT LAWS ARE SUBJECT TO SEVERE CRIMINAL PENALTIES. DISSEMINATE IN ACCORDANCE WITH PROVISIONS OF DOD DIRECTIVE 5230.25.</p>			<p>Filename: ver2\Autodesk Inventor Data Base\Assemblies\15 Series\15-1020-0003J-CU.idw</p>			<p>The PHOENIX Company of Chicago, Inc. 22 GREAT HILL RD., NAUGATUCK, CT 06770 WWW.PHOENIXOFCHICAGO.COM PHONE: (800) 323-9562 FAX:(630) 206-1801</p>											
							<p>UNLESS OTHERWISE SPECIFIED, PHOENIX WORKMANSHIP STANDARDS APPLY DIMENSIONS IN INCHES OR (METRIC)</p> <p>DO NOT SCALE PRINTS</p> <p>TOLERANCES ARE: FRACTIONS: $\pm 1/64$ DECIMALS: $.XX \pm .01$ $.XXX \pm .003$ ANGLES: $\pm 1/2^\circ$</p>						<table border="1"> <thead> <tr> <th>APPROVALS</th> <th>DATE</th> </tr> </thead> <tbody> <tr> <td>DRAWN MY</td> <td>1/4/1999</td> </tr> <tr> <td>CHECKED HN</td> <td>1/4/1999</td> </tr> <tr> <td>QA</td> <td></td> </tr> <tr> <td>MFG</td> <td></td> </tr> <tr> <td>ENGINEER DLD</td> <td>1/4/1999</td> </tr> <tr> <td>APPROVED HN</td> <td>1/4/1999</td> </tr> </tbody> </table>		APPROVALS	DATE	DRAWN MY	1/4/1999	CHECKED HN	1/4/1999	QA
APPROVALS	DATE																				
DRAWN MY	1/4/1999																				
CHECKED HN	1/4/1999																				
QA																					
MFG																					
ENGINEER DLD	1/4/1999																				
APPROVED HN	1/4/1999																				
<table border="1"> <thead> <tr> <th>REV.</th> <th>DESCRIPTION</th> <th>DATE</th> <th>BY</th> </tr> </thead> <tbody> <tr> <td>F</td> <td>PER ECN 7213</td> <td>11/25/03</td> <td>HN</td> </tr> <tr> <td>G</td> <td>PER ECN 10520</td> <td>08/16/10</td> <td>JEM</td> </tr> </tbody> </table>			REV.	DESCRIPTION	DATE	BY	F	PER ECN 7213	11/25/03	HN	G	PER ECN 10520	08/16/10	JEM	<p>SIZE B FSCM 58167</p>		<p>DWG NO 15-1020-0003J</p>		<p>REV G</p>	<p>PLATING OPT.</p>	
REV.	DESCRIPTION	DATE	BY																		
F	PER ECN 7213	11/25/03	HN																		
G	PER ECN 10520	08/16/10	JEM																		
<p>SCALE 4 : 1</p>				<p>F.S.R. #</p>		<p>SHEET 1 OF 1</p>															