

4

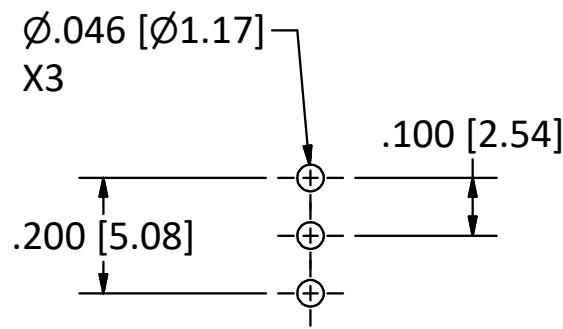
3

2

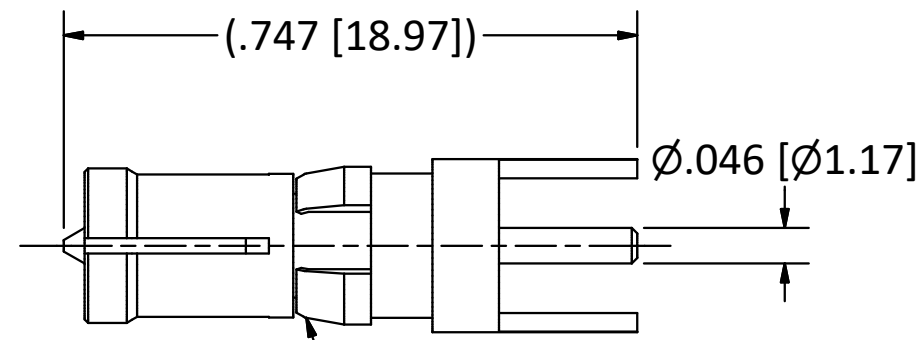
1

B

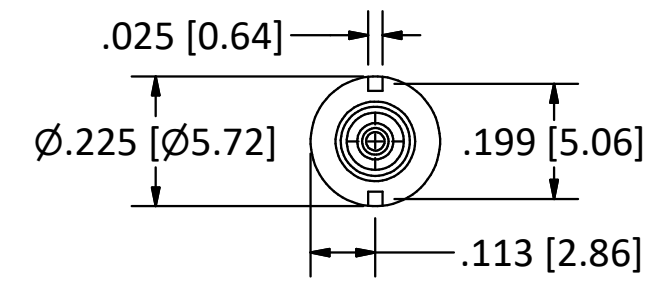
B



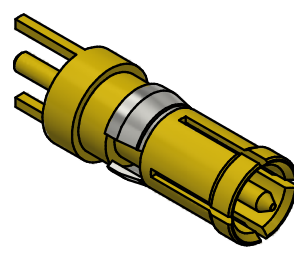
RECOMMENDED MOUNTING HOLES



CLIP RING



- NOTES:  
 1. SPECIFICATIONS PER IDS-15J.  
 2. MAGNETISM: <1.00000 mu.  
**HOUSING:** D-SUBMINIATURE, SIZE 8 CAVITY, SHELL SIZE D.



SCALE 2.5: 1

REV.	DESCRIPTION	DATE	BY
H	ECN 10233	3/16/10	JEM
G	ECN 9582	10/22/08	JEM
F	ECN 6840	12/30/02	HN
E	ECN 3812	4/03/97	HN
D	ECN 2845	4/10/95	HN

This drawing embodies a proprietary design of The Phoenix Company of Chicago, Inc., Naugatuck, CT 06770. All design, manufacturing, reproduction, use, sale, and other rights regarding the same are expressly reserved. The information in this drawing may be covered completely or in part by patents and/or patents pending.

WARNING - THIS DOCUMENT CONTAINS TECHNICAL DATA WHOSE EXPORT IS RESTRICTED BY THE ARMS EXPORT CONTROL ACT (TITLE 22, U.S.C., SEC 2751, ET. SEQ.) OR THE EXPORT ADMINISTRATION ACT OF 1979, AS AMENDED, TITLE 50, U.S.C., APP 2401 ET SEQ. VIOLATIONS OF THESE EXPORT LAWS ARE SUBJECT TO SEVERE CRIMINAL PENALTIES. DISSEMINATE IN ACCORDANCE WITH PROVISIONS OF DOD DIRECTIVE 5230.25.

Filename: ver2\Autodesk Inventor Data Base\Assemblies\15 Series\15-1450-63J-CU.idw		
UNLESS OTHERWISE SPECIFIED, PHOENIX WORKMANSHIP STANDARDS APPLY DIMENSIONS IN INCHES OR (METRIC)  DO NOT SCALE PRINTS  TOLERANCES ARE: FRACTIONS: ± 1/64 DECIMALS: .XX ± .01 .XXX ± .003 ANGLES: ± 1/2°	APPROVALS	DATE
	DRAWN EY	8/31/1992
	CHECKED HN	8/31/1992
	QA	
	MFG	
	ENGINEER JEM	8/31/1992
APPROVED HN	8/31/1992	

**The PHOENIX Company of Chicago, Inc.**  
 22 GREAT HILL RD., NAUGATUCK, CT 06770  
 WWW.PHOENIXOFCHICAGO.COM  
 PHONE: (800) 323-9562 FAX:(630) 206-1801

TITLE  
**PDM STRAIGHT JACK, PRINTED CIRCUIT MOUNT**

SIZE B	FSCM 58167	DWG NO <b>15-1450-63J</b>	REV H	PLATING OPT.
SCALE 4 : 1		F.S.R. #	SHEET 1 OF 1	

4

3

2

1

A

A