

4

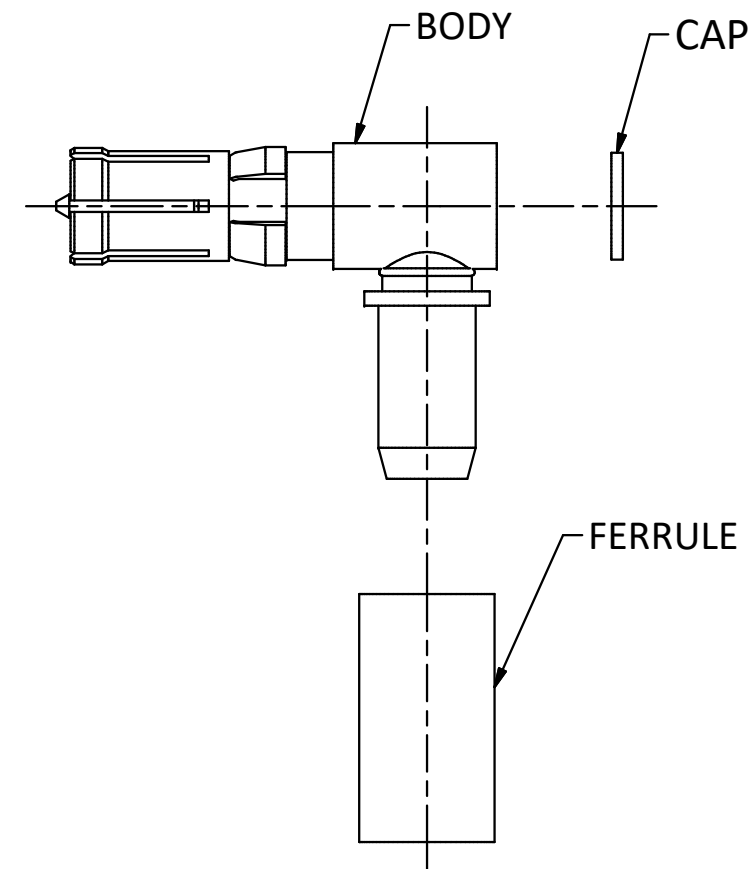
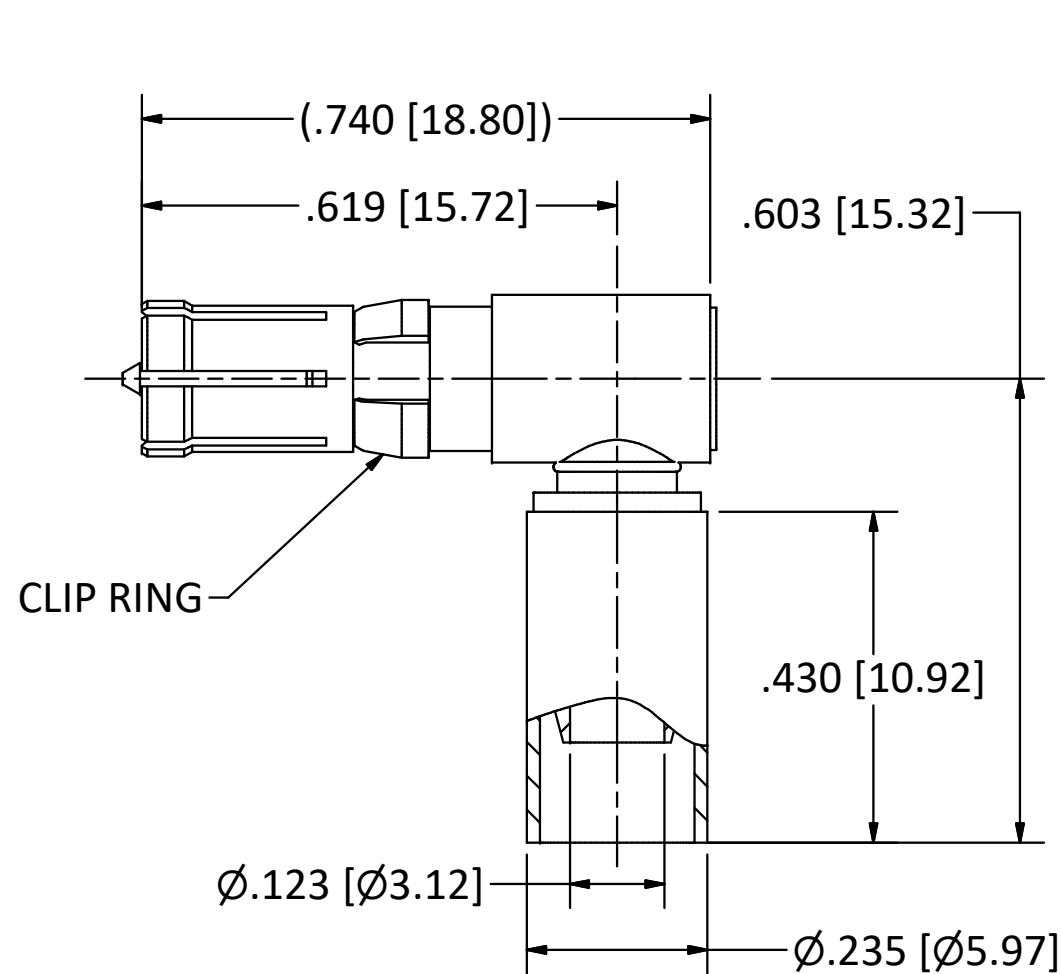
3

2

1

B

B

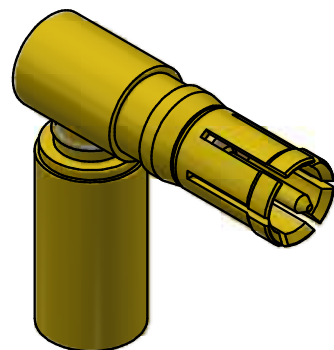


NOTES:

- 1. SPECIFICATIONS PER IDS-15J.
 - 2. CAP AND FERRULE SHIPPED LOOSE.
 - 3. ACCOMMODATES RG-58, RG-141, OR RG-303 CABLE.
 - 4. MAGNETISM: < 1.00000 mu.
- HOUSING:** D-SUBMINIATURE, SIZE 8 CAVITY.

A

A



SCALE 2.5 : 1

4

3

2

1

				<p>This drawing embodies a proprietary design of The Phoenix Company of Chicago, Inc., Naugatuck, CT 06770. All design, manufacturing, reproduction, use, sale, and other rights regarding the same are expressly reserved. The information in this drawing may be covered completely or in part by patents and/or patents pending.</p>	<p>WARNING - THIS DOCUMENT CONTAINS TECHNICAL DATA WHOSE EXPORT IS RESTRICTED BY THE ARMS EXPORT CONTROL ACT (TITLE 22, U.S.C., SEC 2751, ET. SEQ.) OR THE EXPORT ADMINISTRATION ACT OF 1979, AS AMENDED, TITLE 50, U.S.C., APP 2401 ET SEQ. VIOLATIONS OF THESE EXPORT LAWS ARE SUBJECT TO SEVERE CRIMINAL PENALTIES. DISSEMINATE IN ACCORDANCE WITH PROVISIONS OF DOD DIRECTIVE 5230.25.</p>	<p>Filename: ver2\Autodesk Inventor Data Base\Assemblies\15 Series\15-1580-1201J-CU.idw</p>		<p>The PHOENIX Company of Chicago, Inc. 22 GREAT HILL RD., NAUGATUCK, CT 06770 WWW.PHOENIXOFCHICAGO.COM PHONE: (800) 323-9562 FAX:(630) 206-1801</p>																										
<table border="1"> <tr> <td>D</td> <td>PER ECN 10581</td> <td>09/02/10</td> <td>JEM</td> </tr> <tr> <td>C</td> <td>PER ECN 7776</td> <td>01/04/05</td> <td>JEM</td> </tr> <tr> <td>REV.</td> <td>DESCRIPTION</td> <td>DATE</td> <td>BY</td> </tr> </table>		D	PER ECN 10581			09/02/10	JEM			C	PER ECN 7776	01/04/05	JEM	REV.	DESCRIPTION	DATE	BY	<table border="1"> <tr> <td>UNLESS OTHERWISE SPECIFIED, PHOENIX WORKMANSHIP STANDARDS APPLY DIMENSIONS IN INCHES OR (METRIC)</td> <td>APPROVALS</td> <td>DATE</td> </tr> <tr> <td rowspan="5">DO NOT SCALE PRINTS TOLERANCES ARE: FRACTIONS: ± 1/64 DECIMALS: .XX ± .01 .XXX ± .003 ANGLES: ± 1/2°</td> <td>DRAWN</td> <td>1/4/2005</td> </tr> <tr> <td>CHECKED</td> <td>1/4/2005</td> </tr> <tr> <td>QA</td> <td></td> </tr> <tr> <td>MFG</td> <td></td> </tr> <tr> <td>ENGINEER</td> <td>1/4/2005</td> </tr> <tr> <td>APPROVED</td> <td>JEM</td> <td></td> </tr> </table>		UNLESS OTHERWISE SPECIFIED, PHOENIX WORKMANSHIP STANDARDS APPLY DIMENSIONS IN INCHES OR (METRIC)	APPROVALS	DATE	DO NOT SCALE PRINTS TOLERANCES ARE: FRACTIONS: ± 1/64 DECIMALS: .XX ± .01 .XXX ± .003 ANGLES: ± 1/2°	DRAWN	1/4/2005	CHECKED	1/4/2005	QA		MFG		ENGINEER	1/4/2005	APPROVED
D	PER ECN 10581	09/02/10	JEM																															
C	PER ECN 7776	01/04/05	JEM																															
REV.	DESCRIPTION	DATE	BY																															
UNLESS OTHERWISE SPECIFIED, PHOENIX WORKMANSHIP STANDARDS APPLY DIMENSIONS IN INCHES OR (METRIC)	APPROVALS	DATE																																
DO NOT SCALE PRINTS TOLERANCES ARE: FRACTIONS: ± 1/64 DECIMALS: .XX ± .01 .XXX ± .003 ANGLES: ± 1/2°	DRAWN	1/4/2005																																
	CHECKED	1/4/2005																																
	QA																																	
	MFG																																	
	ENGINEER	1/4/2005																																
APPROVED	JEM																																	
		SIZE B	FSCM 58167	DWG NO 15-1580-1201J	REV D	PLATING OPT.	SCALE 2.5 : 1		F.S.R. #	SHEET 1 OF 1																								

4

3

2

1