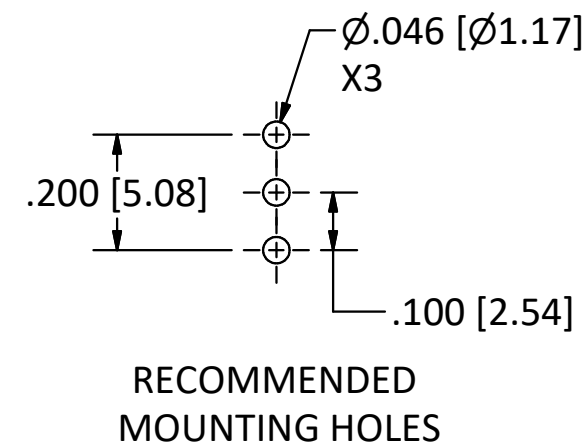
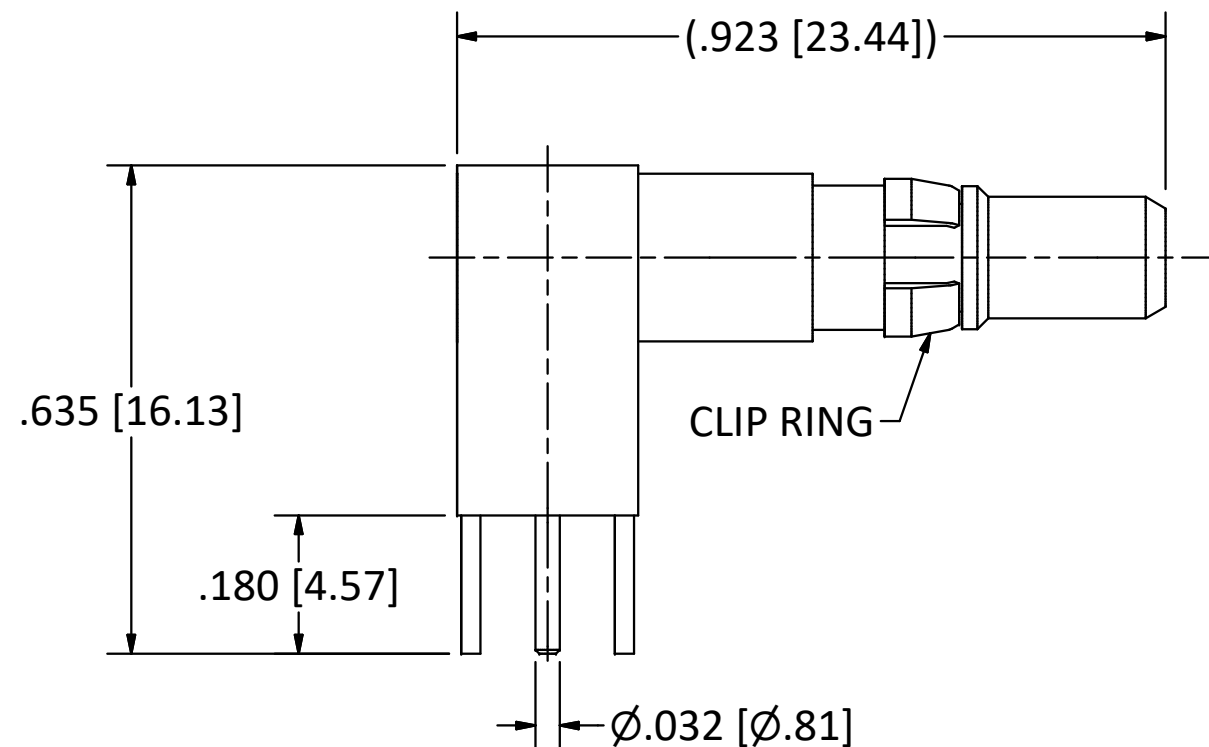
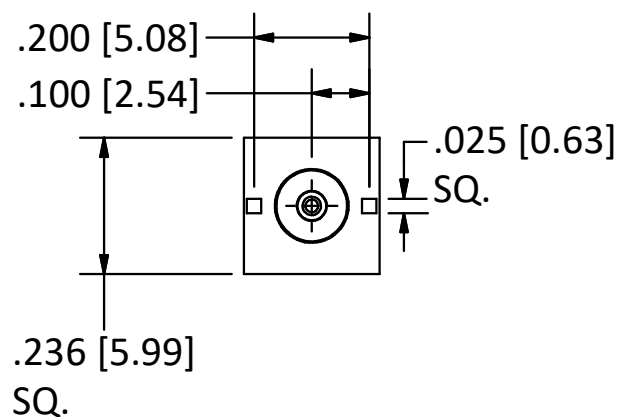


4

3

2

1

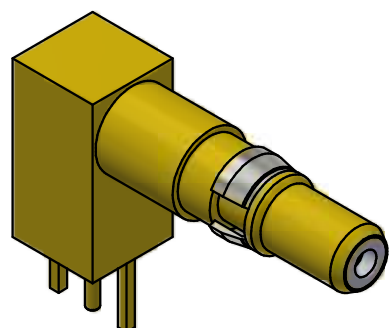


NOTES:

1. SPECIFICATIONS PER IDS-15J.

2. MAGNETISM: <1.00000 mu.

HOUSING: D-SUBMINIATURE, SIZE 8 CAVITY, SHELL SIZE D.



SCALE 2.5: 1

REV.	DESCRIPTION	DATE	BY
H	ECN 11655	4/30/13	JEM
G	ECN 10574	8/31/10	JEM
F	ECN 7834	2/9/05	EM
E	ECN 5698	11/29/00	HN
D	ECN 4720	9/29/98	HN

This drawing embodies a proprietary design of The Phoenix Company of Chicago, Inc., Naugatuck, CT 06770. All design, manufacturing, reproduction, use, sale, and other rights regarding the same are expressly reserved. The information in this drawing may be covered completely or in part by patents and/or patents pending.

WARNING - THIS DOCUMENT CONTAINS TECHNICAL DATA WHOSE EXPORT IS RESTRICTED BY THE ARMS EXPORT CONTROL ACT (TITLE 22, U.S.C., SEC 2751, ET. SEQ.) OR THE EXPORT ADMINISTRATION ACT OF 1979, AS AMENDED, TITLE 50, U.S.C., APP 2401 ET SEQ. VIOLATIONS OF THESE EXPORT LAWS ARE SUBJECT TO SEVERE CRIMINAL PENALTIES. DISSEMINATE IN ACCORDANCE WITH PROVISIONS OF DOD DIRECTIVE 5230.25.

Filename: ver2\Autodesk Inventor Data Base\Assemblies\15 Series\15-2450-63J-CU.idw

UNLESS OTHERWISE SPECIFIED, PHOENIX WORKMANSHIP STANDARDS APPLY DIMENSIONS IN INCHES OR (METRIC)

DO NOT SCALE PRINTS
TOLERANCES ARE:
FRACTIONS: ± 1/64
DECIMALS: .XX ± .01
.XXX ± .003
ANGLES: ± 1/2°

32√

	APPROVALS	DATE
DRAWN	EK	3/3/1993
CHECKED	HN	6/3/1993
QA		
MFG		
ENGINEER	JV	6/3/1993
APPROVED	HN	6/3/1993

The PHOENIX Company of Chicago, Inc.

22 GREAT HILL RD., NAUGATUCK, CT 06770
WWW.PHOENIXOFCHICAGO.COM
PHONE: (800) 323-9562 FAX:(630) 206-1801

TITLE
PDM RIGHT ANGLE PLUG, PRINTED CIRCUIT MOUNT

SIZE	FSCM	DWG NO	REV	PLATING OPT.
B	58167	15-2450-63J	H	
SCALE	4: 1	F.S.R. #	SHEET 1	OF 1

4

3

2

1