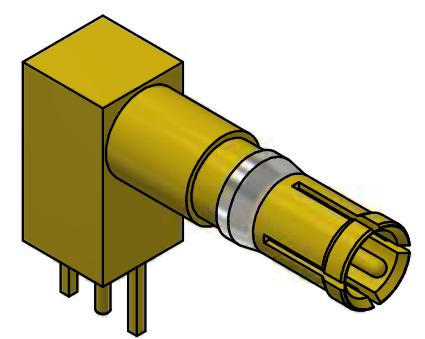


NOTES:
 1. SPECIFICATIONS PER IDS-15J.
 2. MAGNETISM: <1.00000 mu.
HOUSING: D-SUBMINIATURE, SIZE 8 CAVITY, SHELL SIZE D.



SCALE 2.5 : 1

REV.	DESCRIPTION	DATE	BY
H	PER ECN 13643	1/17/20	JEM
G	PER ECN 13460	8/22/19	JEM
F	PER ECN 10504	8/12/10	JEM
E	PER ECN 9382	5/12/08	JEM
D	PER ECN 7835	2/16/05	JEM

This drawing embodies a proprietary design of The Phoenix Company of Chicago, Inc., Naugatuck, CT 06770. All design, manufacturing, reproduction, use, sale, and other rights regarding the same are expressly reserved. The information in this drawing may be covered completely or in part by patents and/or patents pending.

WARNING - THIS DOCUMENT CONTAINS TECHNICAL DATA WHOSE EXPORT IS RESTRICTED BY THE ARMS EXPORT CONTROL ACT (TITLE 22, U.S.C., SEC 2751, ET. SEQ.) OR THE EXPORT ADMINISTRATION ACT OF 1979, AS AMENDED, TITLE 50, U.S.C., APP 2401 ET SEQ. VIOLATIONS OF THESE EXPORT LAWS ARE SUBJECT TO SEVERE CRIMINAL PENALTIES. DISSEMINATE IN ACCORDANCE WITH PROVISIONS OF DOD DIRECTIVE 5230.25.

Filename: ver2\Autodesk Inventor Data Base\Assemblies\15 Series\15-3450-63J-CU.idw		
UNLESS OTHERWISE SPECIFIED, PHOENIX WORKMANSHIP STANDARDS APPLY DIMENSIONS IN INCHES OR (METRIC) DO NOT SCALE PRINTS TOLERANCES ARE: FRACTIONS: ± 1/64 DECIMALS: .XX ± .01 .XXX ± .003 ANGLES: ± 1/2°	APPROVALS	DATE
	DRAWN MY	2/16/2005
	CHECKED HN	2/16/2005
	QA	
	MFG	
	ENGINEER JSV	2/16/2005
APPROVED HN	2/16/2005	

The PHOENIX Company of Chicago, Inc.
 22 GREAT HILL RD., NAUGATUCK, CT 06770
 WWW.PHOENIXOFCHICAGO.COM
 PHONE: (800) 323-9562 FAX:(630) 206-1801

TITLE
PDM RIGHT ANGLE JACK, PRINTED CIRCUIT MOUNT

SIZE B	FSCM 58167	DWG NO 15-3450-63J	REV H	PLATING OPT.
SCALE 4 : 1		F.S.R. #	SHEET 1 OF 1	