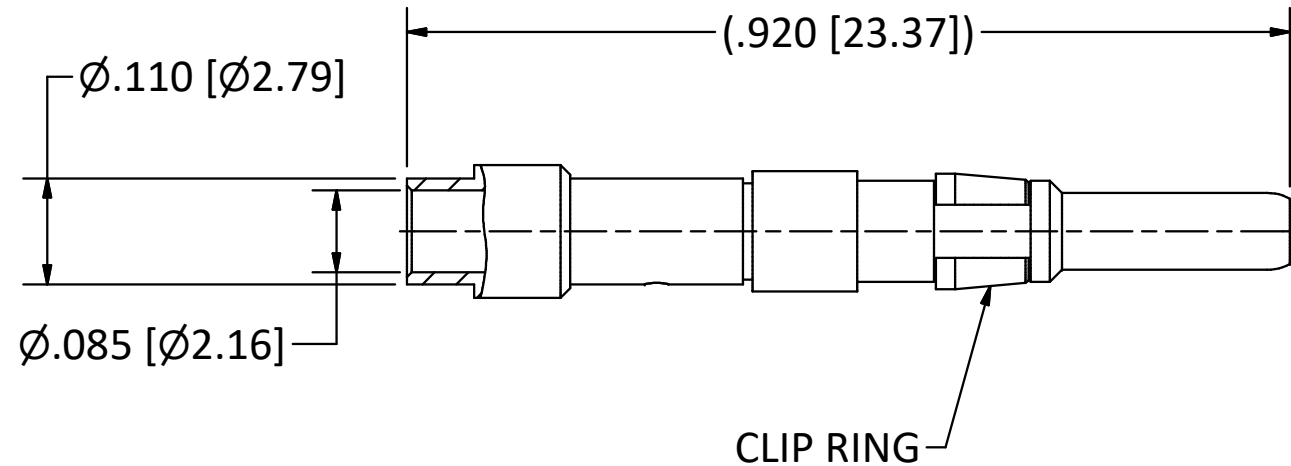
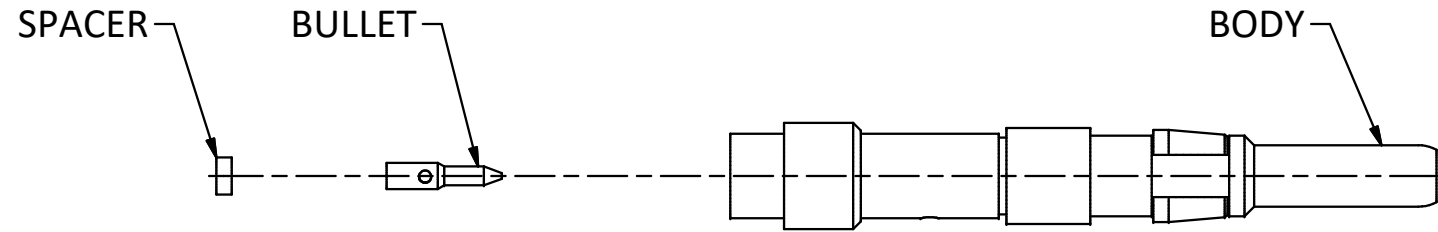


4

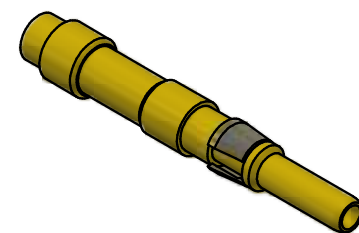
3

2

1



- NOTES:  
 1. SPECIFICATIONS PER IDS-156.  
 2. BULLET AND SPACER SHIPPED LOOSE.  
 3. ACCOMMODATES RG-174, RG-179, RG-187, RG-188, OR RG-316 CABLE.  
**HOUSING:** PRC AND CUSTOM, SIZE 16 CAVITY.



SCALE 2.5 : 1

B	PER ECN 12735	12/5/17	RMB
A	REL. PER ECN 12429	2/21/17	RMB
REV	DESCRIPTION	DATE	BY

This drawing embodies a proprietary design of The Phoenix Company of Chicago, Inc., Naugatuck, CT 06770. All design, manufacturing, reproduction, use, sale, and other rights regarding the same are expressly reserved. The information in this drawing may be covered completely or in part by patents and/or patents pending.

WARNING - THIS DOCUMENT CONTAINS TECHNICAL DATA WHOSE EXPORT IS RESTRICTED BY THE ARMS EXPORT CONTROL ACT (TITLE 22, U.S.C., SEC 2751, ET. SEQ.) OR THE EXPORT ADMINISTRATION ACT OF 1979, AS AMENDED, TITLE 50, U.S.C., APP 2401 ET SEQ. VIOLATIONS OF THESE EXPORT LAWS ARE SUBJECT TO SEVERE CRIMINAL PENALTIES. DISSEMINATE IN ACCORDANCE WITH PROVISIONS OF DOD DIRECTIVE 5230.25.

Filename: ver2\Autodesk Inventor Data Base\Assemblies\156 Series\156-0202-0671-CU.idw		
UNLESS OTHERWISE SPECIFIED, PHOENIX WORKMANSHIP STANDARDS APPLY DIMENSIONS IN INCHES OR (METRIC)  DO NOT SCALE PRINTS  TOLERANCES ARE: FRACTIONS: $\pm 1/64$ DECIMALS: $.XX \pm .01$ $.XXX \pm .003$ ANGLES: $\pm 1/2^\circ$	APPROVALS	DATE
	DRAWN JEM	1/18/2017
	CHECKED RMB	1/18/2017
	QA	
	MFG	
ENGINEER JEM	1/18/2017	
APPROVED RMB	1/18/2017	

<b>The PHOENIX Company of Chicago, Inc.</b>					
22 GREAT HILL RD., NAUGATUCK, CT 06770 WWW.PHOENIXOFCHICAGO.COM PHONE: (800) 323-9562 FAX:(630) 206-1801					
TITLE <b>PKZ® PLUG, DIRECT SOLDER TERMINATION</b>					
SIZE <b>B</b>	FSCM 58167	DWG NO <b>156-0202-0671</b>	REV B	PLATING OPT. A	
SCALE 5 : 1	F.S.R. #	SHEET 1	OF 1		

4

3

2

1