

4

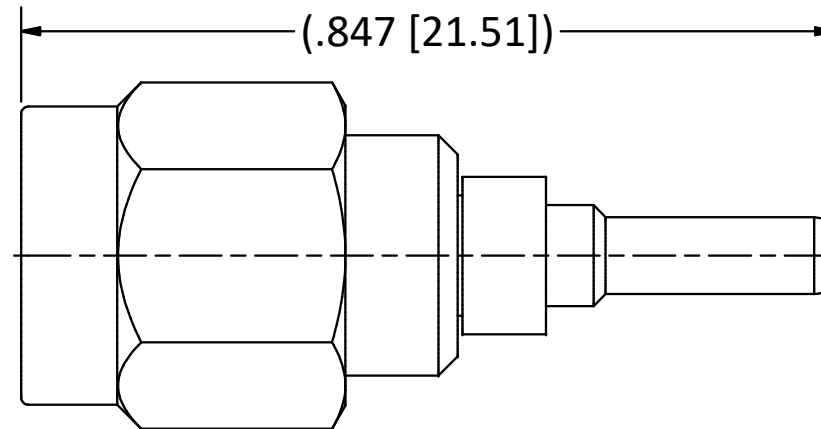
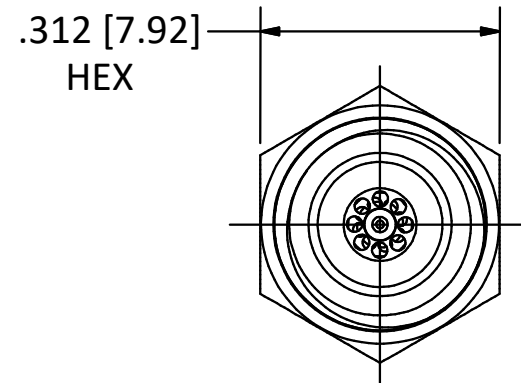
3

2

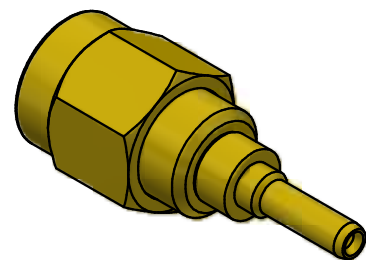
1

B

B



NOTES:  
1. SPECIFICATIONS PER IDS-156 AND IDS-2\_4 (2.4mm).



SCALE 2.5 : 1

4

3

2

1

A

A

<p><b>This drawing embodies a proprietary design of The Phoenix Company of Chicago, Inc., Naugatuck, CT 06770. All design, manufacturing, reproduction, use, sale, and other rights regarding the same are expressly reserved. The information in this drawing may be covered completely or in part by patents and/or patents pending.</b></p>				<p>WARNING - THIS DOCUMENT CONTAINS TECHNICAL DATA WHOSE EXPORT IS RESTRICTED BY THE ARMS EXPORT CONTROL ACT (TITLE 22, U.S.C., SEC 2751, ET. SEQ.) OR THE EXPORT ADMINISTRATION ACT OF 1979, AS AMENDED, TITLE 50, U.S.C., APP 2401 ET SEQ. VIOLATIONS OF THESE EXPORT LAWS ARE SUBJECT TO SEVERE CRIMINAL PENALTIES. DISSEMINATE IN ACCORDANCE WITH PROVISIONS OF DOD DIRECTIVE 5230.25.</p>		<p>Filename: ver2\Autodesk Inventor Data Base\Adaptors\1562_4\1562_4-0000-00-CU.idw</p>		<p><b>The PHOENIX Company of Chicago, Inc.</b> 22 GREAT HILL RD., NAUGATUCK, CT 06770 WWW.PHOENIXOFCHICAGO.COM PHONE: (800) 323-9562 FAX:(630) 206-1801</p>												
						<p>UNLESS OTHERWISE SPECIFIED, PHOENIX WORKMANSHIP STANDARDS APPLY DIMENSIONS IN INCHES OR (METRIC)</p> <p>DO NOT SCALE PRINTS</p> <p>TOLERANCES ARE: FRACTIONS: ± 1/64 DECIMALS: .XX ± .01 .XXX ± .003 ANGLES: ± 1/2°</p>					<table border="1"> <thead> <tr> <th>APPROVALS</th> <th>DATE</th> </tr> </thead> <tbody> <tr> <td>DRAWN JEM</td> <td>1/10/2017</td> </tr> <tr> <td>CHECKED RMB</td> <td>1/10/2017</td> </tr> <tr> <td>QA</td> <td></td> </tr> <tr> <td>MFG</td> <td></td> </tr> <tr> <td>ENGINEER JEM</td> <td>1/10/2017</td> </tr> <tr> <td>APPROVED RMB</td> <td>1/10/2017</td> </tr> </tbody> </table>		APPROVALS	DATE	DRAWN JEM	1/10/2017	CHECKED RMB	1/10/2017	QA	
APPROVALS	DATE																			
DRAWN JEM	1/10/2017																			
CHECKED RMB	1/10/2017																			
QA																				
MFG																				
ENGINEER JEM	1/10/2017																			
APPROVED RMB	1/10/2017																			
<table border="1"> <thead> <tr> <th>A</th> <th>REL PER ECN</th> <th>DATE</th> <th>SPS</th> </tr> </thead> <tbody> <tr> <td>01</td> <td>PRELIMINARY</td> <td>1/10/17</td> <td>RMB</td> </tr> <tr> <th>REV</th> <th>DESCRIPTION</th> <th>DATE</th> <th>BY</th> </tr> </tbody> </table>		A	REL PER ECN	DATE	SPS	01	PRELIMINARY	1/10/17	RMB	REV	DESCRIPTION	DATE	BY	<p>SIZE <b>B</b></p>		<p>FSCM 58167</p>	<p>DWG NO <b>1562_4-0000-00</b></p>		<p>REV A</p>	<p>PLATING OPT. G</p>
A	REL PER ECN	DATE	SPS																	
01	PRELIMINARY	1/10/17	RMB																	
REV	DESCRIPTION	DATE	BY																	
				<p>SCALE 5:1</p>		<p>F.S.R. #</p>		<p>SHEET 1 OF 1</p>												