

4

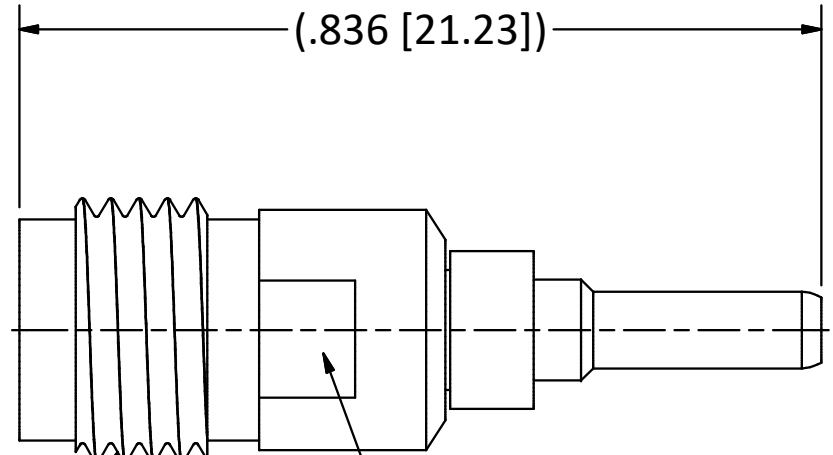
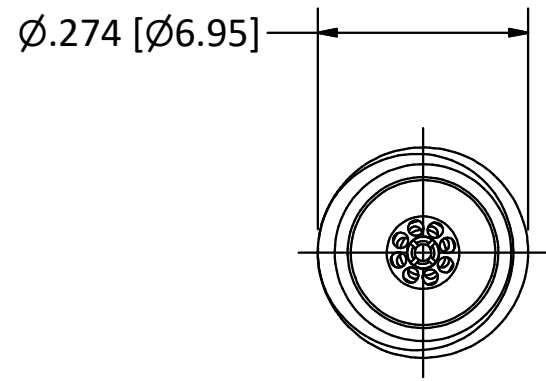
3

2

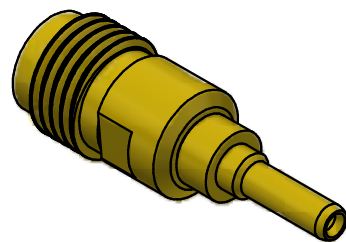
1

B

B



NOTES:
1. SPECIFICATIONS PER IDS-156 AND IDS-2_4 (2.4mm).



SCALE 2.5 : 1

4

3

2

1

A

A

<table border="1"> <tr> <td>A</td> <td>PER ECN 12722</td> <td>12/4/17</td> <td>SPS</td> </tr> <tr> <td>01</td> <td>PRELIMINARY</td> <td>1/5/17</td> <td>RMB</td> </tr> <tr> <td>REV</td> <td>DESCRIPTION</td> <td>DATE</td> <td>BY</td> </tr> </table>				A	PER ECN 12722	12/4/17	SPS	01	PRELIMINARY	1/5/17	RMB	REV	DESCRIPTION	DATE	BY	<p>This drawing embodies a proprietary design of The Phoenix Company of Chicago, Inc., Naugatuck, CT 06770. All design, manufacturing, reproduction, use, sale, and other rights regarding the same are expressly reserved. The information in this drawing may be covered completely or in part by patents and/or patents pending.</p>	<p>WARNING - THIS DOCUMENT CONTAINS TECHNICAL DATA WHOSE EXPORT IS RESTRICTED BY THE ARMS EXPORT CONTROL ACT (TITLE 22, U.S.C., SEC 2751, ET. SEQ.) OR THE EXPORT ADMINISTRATION ACT OF 1979, AS AMENDED, TITLE 50, U.S.C., APP 2401 ET SEQ. VIOLATIONS OF THESE EXPORT LAWS ARE SUBJECT TO SEVERE CRIMINAL PENALTIES. DISSEMINATE IN ACCORDANCE WITH PROVISIONS OF DOD DIRECTIVE 5230.25.</p>	Filename: ver2\Autodesk Inventor Data Base\Adaptors\1562_4\1562_4-0100-00-CU.idw		<p>The PHOENIX Company of Chicago, Inc.</p> <p>22 GREAT HILL RD., NAUGATUCK, CT 06770 WWW.PHOENIXOFCHICAGO.COM</p> <p>PHONE: (800) 323-9562 FAX:(630) 206-1801</p>		<p>TITLE</p> <p>ADAPTER, PkZ® PLUG TO 2.4mm RECEPTACLE</p>	
				A	PER ECN 12722	12/4/17	SPS																
01	PRELIMINARY	1/5/17	RMB																				
REV	DESCRIPTION	DATE	BY																				
UNLESS OTHERWISE SPECIFIED, PHOENIX WORKMANSHIP STANDARDS APPLY DIMENSIONS IN INCHES OR (METRIC)		APPROVALS	DATE	DO NOT SCALE PRINTS TOLERANCES ARE: FRACTIONS: ± 1/64 DECIMALS: .XX ± .01 .XXX ± .003 ANGLES: ± 1/2°	DRAWN JEM 1/5/2017	CHECKED RMB 1/5/2017	QA MFG	ENGINEER JEM 1/5/2017	APPROVED RMB 1/5/2017	SIZE B	FSCM 58167	DWG NO 1562_4-0100-00	REV A	PLATING OPT. G									
					SCALE 5:1		F.S.R. #		SHEET 1 OF 1														