

4

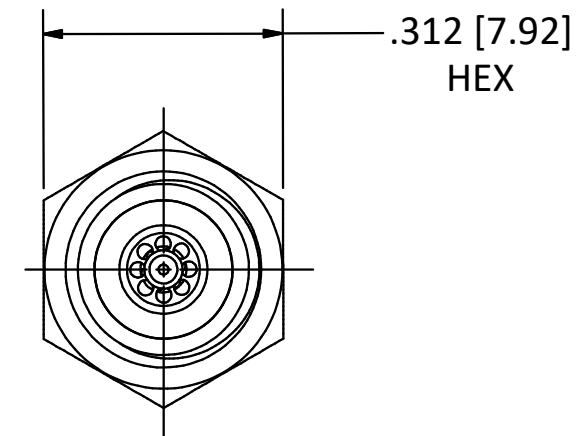
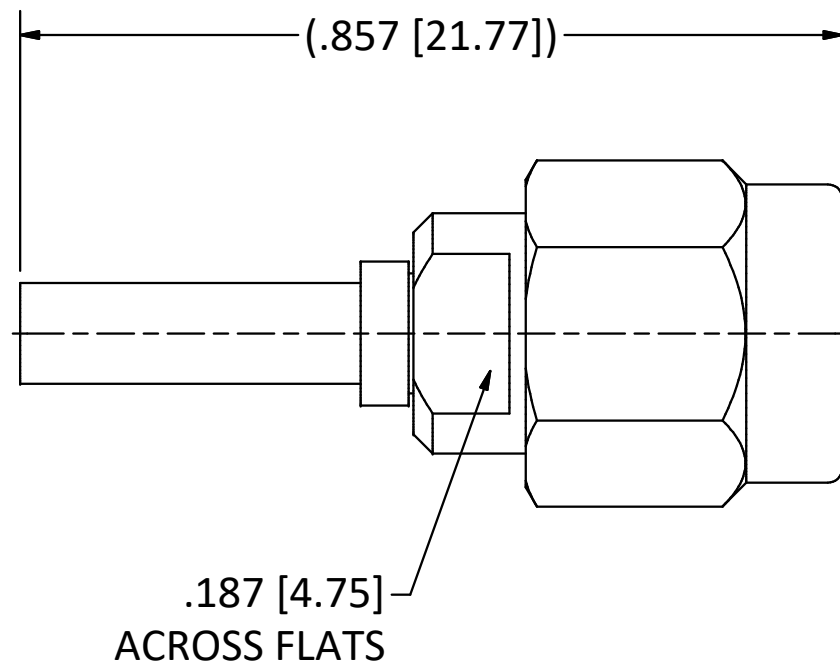
3

2

1

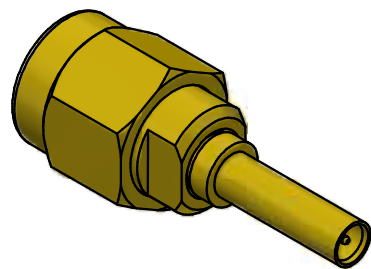
B

B



NOTES:

1. SPECIFICATIONS PER IDS-156 AND IDS-2_9 (2.92mm).



SCALE 2.5: 1

F	PER ECN 12720	12/1/17	SPS
E	PER ECN 12520	5/25/17	RMB
D	PER ECN 12381	10/25/16	RMB
C	PER ECN 12302	4/26/16	RMB
B	PER ECN 12139	4/2/15	JEM
A	ECN 11940	8/1/14	JEM
REV.	DESCRIPTION	DATE	BY

This drawing embodies a proprietary design of The Phoenix Company of Chicago, Inc., Naugatuck, CT 06770. All design, manufacturing, reproduction, use, sale, and other rights regarding the same are expressly reserved. The information in this drawing may be covered completely or in part by patents and/or patents pending.

WARNING - THIS DOCUMENT CONTAINS TECHNICAL DATA WHOSE EXPORT IS RESTRICTED BY THE ARMS EXPORT CONTROL ACT (TITLE 22, U.S.C., SEC 2751, ET. SEQ.) OR THE EXPORT ADMINISTRATION ACT OF 1979, AS AMENDED, TITLE 50, U.S.C., APP 2401 ET SEQ. VIOLATIONS OF THESE EXPORT LAWS ARE SUBJECT TO SEVERE CRIMINAL PENALTIES. DISSEMINATE IN ACCORDANCE WITH PROVISIONS OF DOD DIRECTIVE 5230.25.

Filename: \\Autodesk Inventor Data Base\Assemblies\78 Series\78-1080-0670-CU-Layout for C Sized Drawing.idw

UNLESS OTHERWISE SPECIFIED, PHOENIX WORKMANSHIP STANDARDS APPLY DIMENSIONS IN INCHES OR (METRIC)

DO NOT SCALE PRINTS
TOLERANCES ARE:
FRACTIONS: ± 1/64
DECIMALS: .XX ± .01
.XXX ± .003
ANGLES: ± 1/2°

32√

APPROVALS	DATE
DRAWN ssumanam	8/1/2017
CHECKED	
QA	
MFG	
ENGINEER	
APPROVED	

The **PHOENIX** Company of Chicago, Inc.

22 GREAT HILL RD., NAUGATUCK, CT 06770
WWW.PHOENIXOFCHICAGO.COM
PHONE: (800) 323-9562 FAX:(630) 206-1801

TITLE
ADAPTER, PkZ® RECEPTACLE TO 2.92mm PLUG

SIZE B	FSCM 58167	DWG NO 1562_9-1000-00	REV F	PLATING OPT.
SCALE 5 : 1	F.S.R. #	SHEET 1	OF 1	

4

3

2

1

A

A