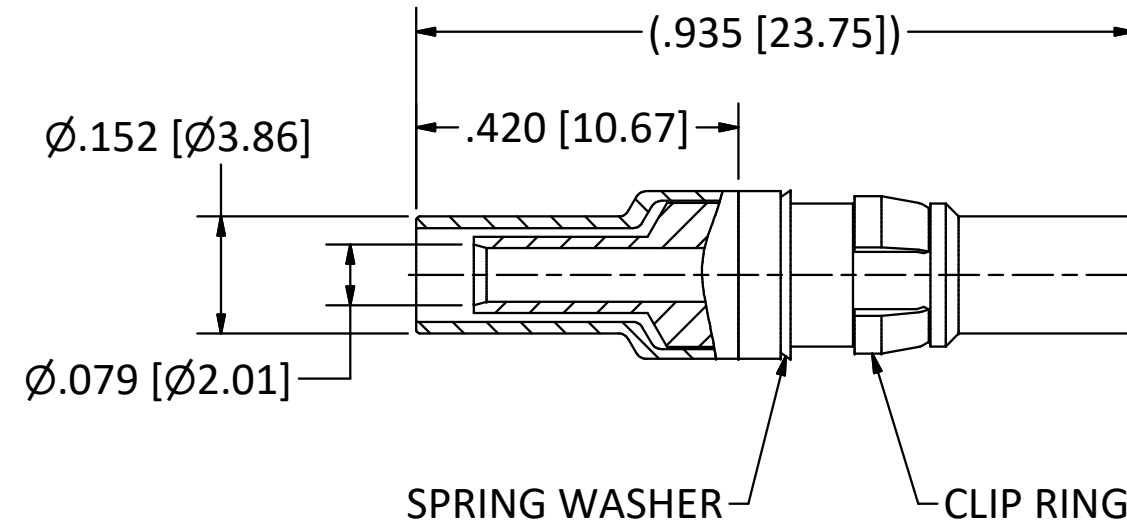
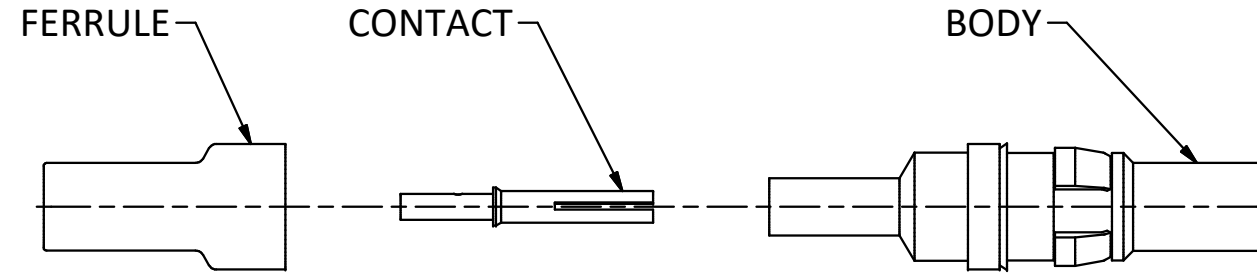


4

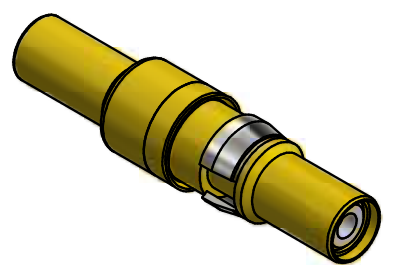
3

2

1



- NOTES:
1. SPECIFICATIONS PER IDS-16.
 2. CONTACT AND FERRULE SHIPPED LOOSE.
 3. ACCOMMODATES RG-179 CABLE.
- HOUSING:** D-SUBMINIATURE, SIZE 8 CAVITY.



SCALE 2.5 : 1

REV	DESCRIPTION	DATE	BY
H	PER ECN 12577	8/7/17	JEM
G	PER ECN 12325	6/17/16	RMB
F	PERECN 10671	11/4/10	JEM
E	PER ECN 9728	1/5/09	JEM
D	PER ECN 5098	8/9/99	HN

This drawing embodies a proprietary design of The Phoenix Company of Chicago, Inc., Naugatuck, CT 06770. All design, manufacturing, reproduction, use, sale, and other rights regarding the same are expressly reserved. The information in this drawing may be covered completely or in part by patents and/or patents pending.

WARNING - THIS DOCUMENT CONTAINS TECHNICAL DATA WHOSE EXPORT IS RESTRICTED BY THE ARMS EXPORT CONTROL ACT (TITLE 22, U.S.C., SEC 2751, ET. SEQ.) OR THE EXPORT ADMINISTRATION ACT OF 1979, AS AMENDED, TITLE 50, U.S.C., APP 2401 ET SEQ. VIOLATIONS OF THESE EXPORT LAWS ARE SUBJECT TO SEVERE CRIMINAL PENALTIES. DISSEMINATE IN ACCORDANCE WITH PROVISIONS OF DOD DIRECTIVE 5230.25.

Filename: ver2\Autodesk Inventor Data Base\Assemblies\16 Series\16-0090-0675-CU.idw		
UNLESS OTHERWISE SPECIFIED, PHOENIX WORKMANSHIP STANDARDS APPLY DIMENSIONS IN INCHES OR (METRIC)	APPROVALS	DATE
	DRAWN MY	9/28/1992
	CHECKED HN	9/28/1992
	QA	
	MFG	
	ENGINEER MS	9/28/1992
APPROVED HN	9/28/1992	
DO NOT SCALE PRINTS		
TOLERANCES ARE: FRACTIONS: ± 1/64 DECIMALS: .XX ± .01 .XXX ± .003 ANGLES: ± 1/2°		

The PHOENIX Company of Chicago, Inc.
 22 GREAT HILL RD., NAUGATUCK, CT 06770
 WWW.PHOENIXOFCHICAGO.COM
 PHONE: (800) 323-9562 FAX:(630) 206-1801

TITLE
75 OHM, PDM PLUG, DOUBLE-CRIMP TERMINATION

SIZE B	FSCM 58167	DWG NO 16-0090-0675	REV H	PLATING OPT. A, B, C, D
SCALE 4 : 1	F.S.R. #	SHEET 1 OF 1		

4

3

2

1