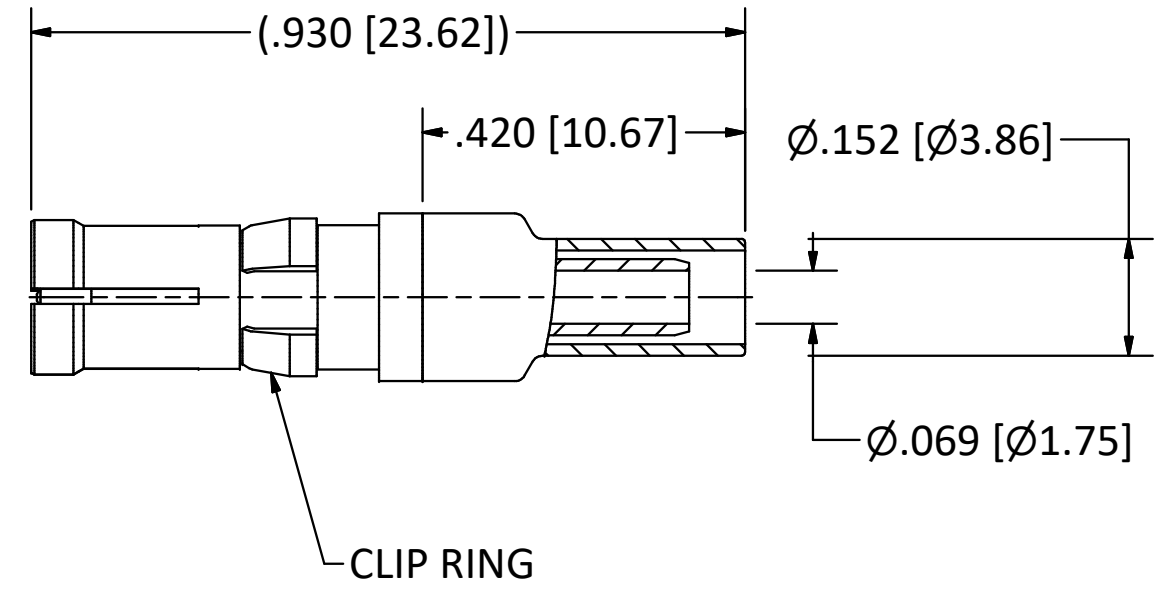
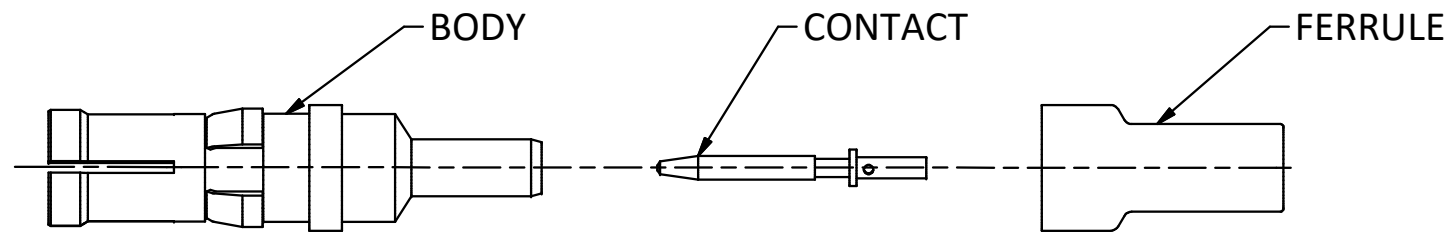


4

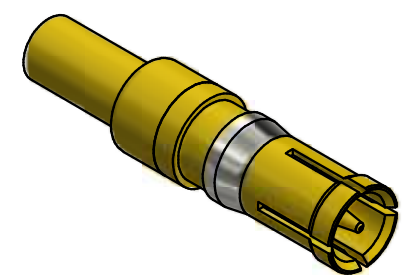
3

2

1



- NOTES:
- SPECIFICATIONS PER IDS-16.
 - CONTACT AND FERRULE SHIPPED LOOSE.
 - ACCOMMODATES RG-179 CABLE.
- HOUSING:** D-SUBMINIATURE, SIZE 8 CAVITY.



SCALE 2.5 : 1

E	PER ECN 10676	11/4/10	JEM
D	PER ECN 7660	10/6/04	JM
C	PER ECN 6733	9/17/02	HN
B	PER ECN 4658	8/25/98	HN
A	RELEASED	9/29/92	HN
REV	DESCRIPTION	DATE	BY

This drawing embodies a proprietary design of The Phoenix Company of Chicago, Inc., Naugatuck, CT 06770. All design, manufacturing, reproduction, use, sale, and other rights regarding the same are expressly reserved. The information in this drawing may be covered completely or in part by patents and/or patents pending.

WARNING - THIS DOCUMENT CONTAINS TECHNICAL DATA WHOSE EXPORT IS RESTRICTED BY THE ARMS EXPORT CONTROL ACT (TITLE 22, U.S.C., SEC 2751, ET. SEQ.) OR THE EXPORT ADMINISTRATION ACT OF 1979, AS AMENDED, TITLE 50, U.S.C., APP 2401 ET SEQ. VIOLATIONS OF THESE EXPORT LAWS ARE SUBJECT TO SEVERE CRIMINAL PENALTIES. DISSEMINATE IN ACCORDANCE WITH PROVISIONS OF DOD DIRECTIVE 5230.25.

Filename: ver2\Autodesk Inventor Data Base\Assemblies\16 Series\16-1090-0673-CU.idw		
UNLESS OTHERWISE SPECIFIED, PHOENIX WORKMANSHIP STANDARDS APPLY DIMENSIONS IN INCHES OR (METRIC) DO NOT SCALE PRINTS TOLERANCES ARE: FRACTIONS: ± 1/64 DECIMALS: .XX ± .01 .XXX ± .003 ANGLES: ± 1/2'	APPROVALS	DATE
	DRAWN YS	9/29/1992
	CHECKED HN	9/29/1992
	QA	
	MFG	
	ENGINEER PRP	9/29/1992
APPROVED HN	9/29/1992	

The PHOENIX Company of Chicago, Inc.
 22 GREAT HILL RD., NAUGATUCK, CT 06770
 WWW.PHOENIXOFCHICAGO.COM
 PHONE: (800) 323-9562 FAX:(630) 206-1801

TITLE
**75 OHM, PDM RECEPTACLE,
 DOUBLE-CRIMP TERMINATION**

SIZE B	FSCM 58167	DWG NO 16-1090-0673	REV E	PLATING OPT. A, B, C, D
SCALE 4 : 1	F.S.R. #	SHEET 1 OF 1		

4

3

2

1