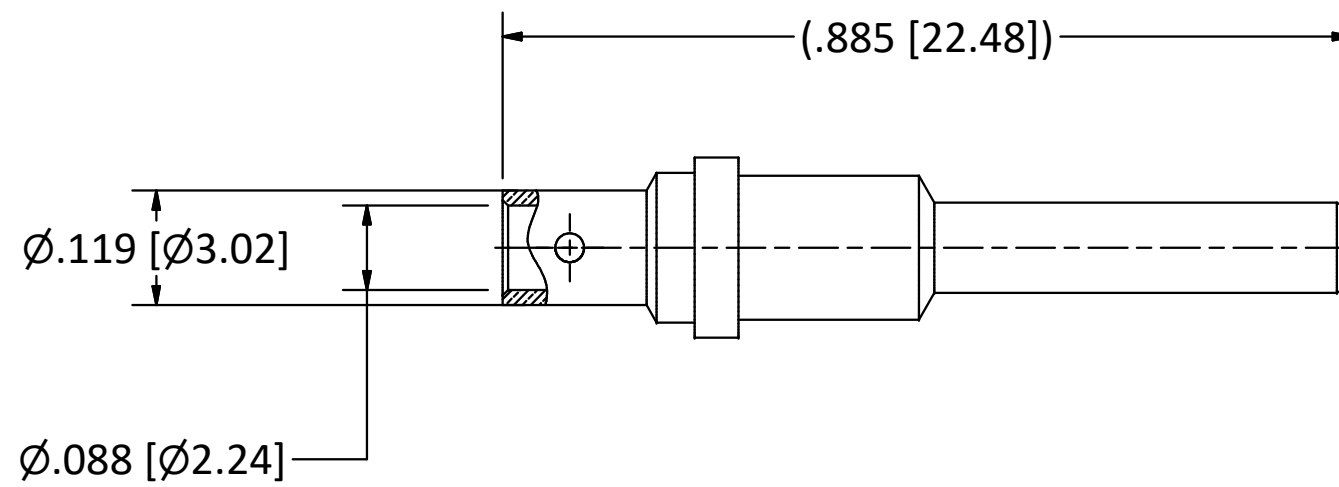
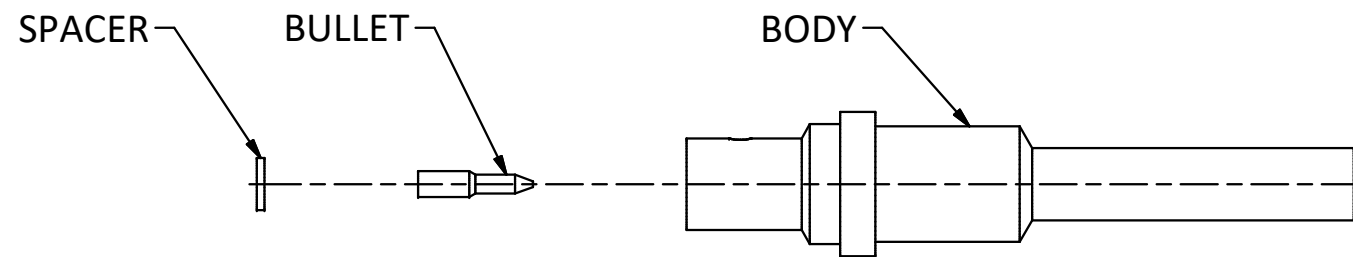


4

3

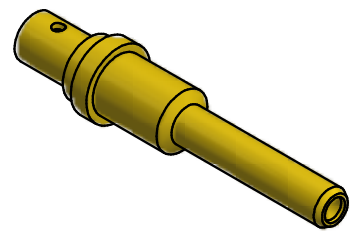
2

1



NOTES:

- 1. SPECIFICATIONS PER IDS-168.
 - 2. BULLET AND SPACER SHIPPED LOOSE.
 - 3. ACCOMMODATES RG-174, RG-179, RG-187, RG-188, OR RG-316 CABLE.
 - 4. FREQUENCY: DC TO 3 GHz.
- HOUSING:** ARINC 600 CONNECTOR PER MIL-C-83527/3, SIZE 12 CAVITY.



SCALE 2.5 : 1

C	PER ECN 13332	4/9/2020	JEM
B	PER ECN 13163	10/26/18	JEM
A	PER ECN 12553	7/11/2017	RMB
REV	DESCRIPTION	DATE	BY

This drawing embodies a proprietary design of The Phoenix Company of Chicago, Inc., Naugatuck, CT 06770. All design, manufacturing, reproduction, use, sale, and other rights regarding the same are expressly reserved. The information in this drawing may be covered completely or in part by patents and/or patents pending.

WARNING - THIS DOCUMENT CONTAINS TECHNICAL DATA WHOSE EXPORT IS RESTRICTED BY THE ARMS EXPORT CONTROL ACT (TITLE 22, U.S.C., SEC 2751, ET. SEQ.) OR THE EXPORT ADMINISTRATION ACT OF 1979, AS AMENDED, TITLE 50, U.S.C., APP 2401 ET SEQ. VIOLATIONS OF THESE EXPORT LAWS ARE SUBJECT TO SEVERE CRIMINAL PENALTIES. DISSEMINATE IN ACCORDANCE WITH PROVISIONS OF DOD DIRECTIVE 5230.25.

Filename: B_C_Size_Formats.idw

UNLESS OTHERWISE SPECIFIED, PHOENIX WORKMANSHIP STANDARDS APPLY DIMENSIONS IN INCHES OR (METRIC)

DO NOT SCALE PRINTS
TOLERANCES ARE:
FRACTIONS: ± 1/64
DECIMALS: .XX ± .01
.XXX ± .003
ANGLES: ± 1/2°



APPROVALS	DATE
DRAWN JEM	7/11/2017
CHECKED RMB	7/11/2017
QA	
MFG	
ENGINEER JEM	7/11/2017
APPROVED RMB	7/11/2017

The **PHOENIX** Company of Chicago, Inc.

22 GREAT HILL RD., NAUGATUCK, CT 06770
WWW.PHOENIXOFCHICAGO.COM
PHONE: (800) 323-9562 FAX:(630) 206-1801

TITLE
PKZ® PLUG, DIRECT SOLDER TERMINATION

SIZE B	FSCM 58167	DWG NO 168-0020-0670	REV	PLATING OPT. A, C
SCALE 5 : 1	F.S.R. #	SHEET 1	OF 1	

4

3

2

1