

4

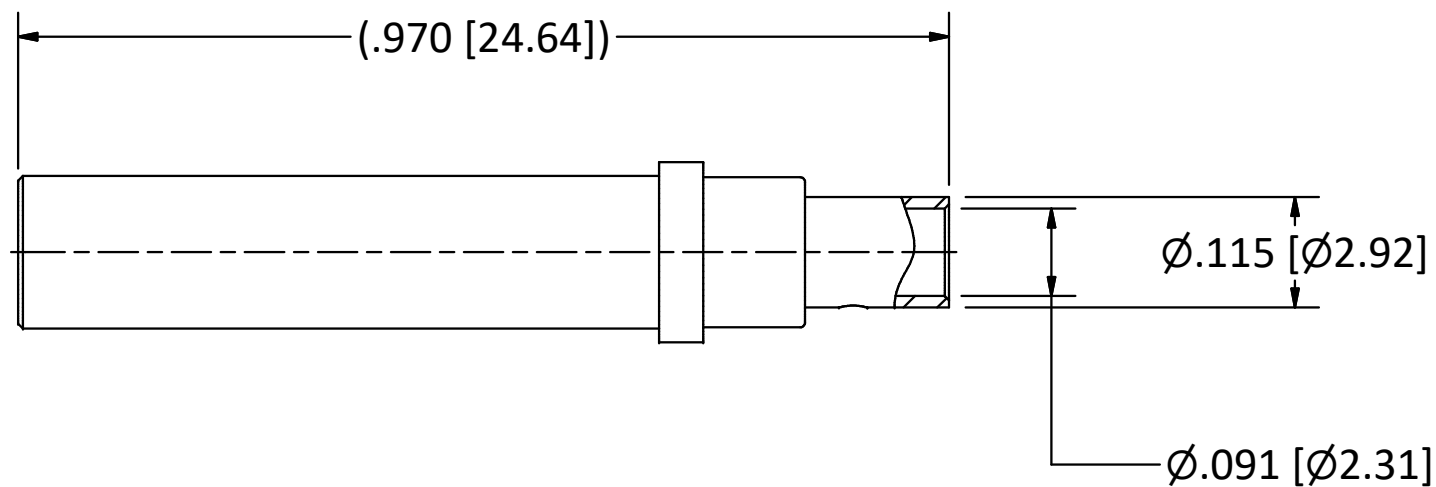
3

2

1

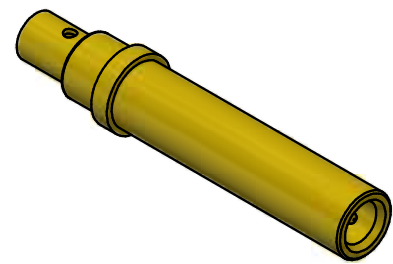
B

B



NOTES:

- 1. SPECIFICATIONS PER IDS-168.
 - 2. ACCOMMODATES RG-405 (.086 SEMI-RIGID) OR EQUIVALENT FLEXIBLE CABLE.
- HOUSING:** ARINC 600 CONNECTOR PER MIL-C-83527/3, SIZE 12 CAVITY.



SCALE 2.5 : 1

REV	DESCRIPTION	DATE	BY
G	PER ECN 13349	6/12/2019	RMB
F	PER ECN 13163	10/26/2018	RMB
E	PER ECN 12668	10/16/2017	JEM
D	PER ECN 12295	3/17/2016	RMB
C	PER ECN 12240	10/27/2015	RMB
B	PER ECN 12222	9/28/2015	RMB
A	PER ECN 12197	8/12/2015	JEM
01	PRELIMINARY	8/10/2015	JEM

This drawing embodies a proprietary design of The Phoenix Company of Chicago, Inc., Naugatuck, CT 06770. All design, manufacturing, reproduction, use, sale, and other rights regarding the same are expressly reserved. The information in this drawing may be covered completely or in part by patents and/or patents pending.

WARNING - THIS DOCUMENT CONTAINS TECHNICAL DATA WHOSE EXPORT IS RESTRICTED BY THE ARMS EXPORT CONTROL ACT (TITLE 22, U.S.C., SEC 2751, ET. SEQ.) OR THE EXPORT ADMINISTRATION ACT OF 1979, AS AMENDED, TITLE 50, U.S.C., APP 2401 ET SEQ. VIOLATIONS OF THESE EXPORT LAWS ARE SUBJECT TO SEVERE CRIMINAL PENALTIES. DISSEMINATE IN ACCORDANCE WITH PROVISIONS OF DOD DIRECTIVE 5230.25.

Filename: ver2\Autodesk Inventor Data Base\Assemblies\168 Series\168-1020-0860-CU.idw

UNLESS OTHERWISE SPECIFIED, PHOENIX WORKMANSHIP STANDARDS APPLY DIMENSIONS IN INCHES OR (METRIC)	APPROVALS	DATE
DO NOT SCALE PRINTS TOLERANCES ARE: FRACTIONS: ± 1/64 DECIMALS: .XX ± .01 .XXX ± .003 ANGLES: ± 1/2°	DRAWN	8/10/2015
	CHECKED	8/10/2015
	QA	
	MFG	
	ENGINEER	8/10/2015
	APPROVED	8/10/2015

The PHOENIX Company of Chicago, Inc.
 22 GREAT HILL RD., NAUGATUCK, CT 06770
 WWW.PHOENIXOFCHICAGO.COM
 PHONE: (800) 323-9562 FAX:(630) 206-1801

TITLE PkZ® RECEPTACLE, DIRECT SOLDER TERMINATION					
SIZE B	FSCM 58167	DWG NO 168-1020-0860	REV G	PLATING OPT. A, C	
SCALE 5 : 1	F.S.R. #	SHEET 1	OF 1		

4

3

2

1

A

A