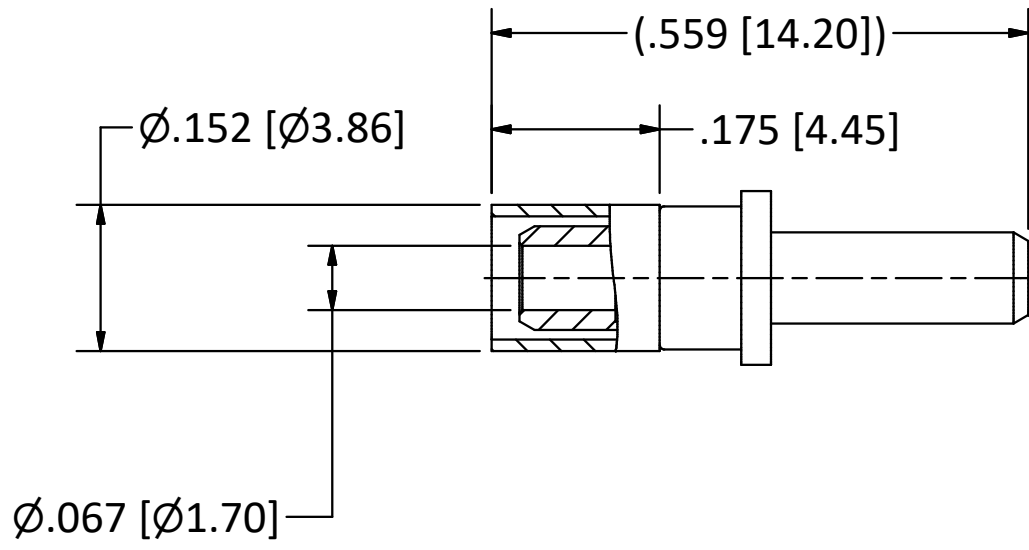
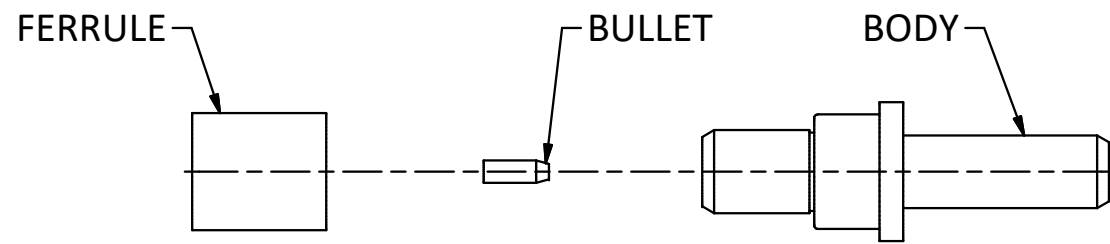


4

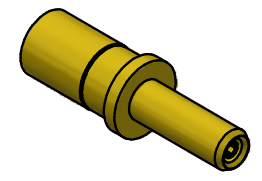
3

2

1



- NOTES:
1. SPECIFICATIONS PER IDS-178.
 2. BULLET AND FERRULE SHIPPED LOOSE.
 3. ACCOMMODATES RG-174, RG-179, RG-187, RG-188, OR RG-316 CABLE.
- HOUSING:** MIL-C-38999 SERIES I-IV AND MIGHTY MOUSE SERIES 80, SIZE 12 CAVITY.



SCALE 2.5 : 1

<p>This drawing embodies a proprietary design of The Phoenix Company of Chicago, Inc., Naugatuck, CT 06770. All design, manufacturing, reproduction, use, sale, and other rights regarding the same are expressly reserved. The information in this drawing may be covered completely or in part by patents and/or patents pending.</p>				<p>WARNING - THIS DOCUMENT CONTAINS TECHNICAL DATA WHOSE EXPORT IS RESTRICTED BY THE ARMS EXPORT CONTROL ACT (TITLE 22, U.S.C., SEC 2751, ET. SEQ.) OR THE EXPORT ADMINISTRATION ACT OF 1979, AS AMENDED, TITLE 50, U.S.C., APP 2401 ET SEQ. VIOLATIONS OF THESE EXPORT LAWS ARE SUBJECT TO SEVERE CRIMINAL PENALTIES. DISSEMINATE IN ACCORDANCE WITH PROVISIONS OF DOD DIRECTIVE 5230.25.</p>		<p>Filename: ver2\Autodesk Inventor Data Base\Assemblies\178 Series\178-0081-0670-CU.idw</p>		<p>The PHOENIX Company of Chicago, Inc.</p> <p>22 GREAT HILL RD., NAUGATUCK, CT 06770 WWW.PHOENIXOFCHICAGO.COM</p> <p>PHONE: (800) 323-9562 FAX:(630) 206-1801</p>													
						<p>UNLESS OTHERWISE SPECIFIED, PHOENIX WORKMANSHIP STANDARDS APPLY DIMENSIONS IN INCHES OR (METRIC)</p> <p>DO NOT SCALE PRINTS</p> <p>TOLERANCES ARE: FRACTIONS: $\pm 1/64$ DECIMALS: $.XX \pm .01$ $.XXX \pm .003$ ANGLES: $\pm 1/2^\circ$</p>		<table border="1"> <thead> <tr> <th>APPROVALS</th> <th>DATE</th> </tr> </thead> <tbody> <tr> <td>DRAWN SST</td> <td>9/13/2018</td> </tr> <tr> <td>CHECKED JEM</td> <td>9/13/2018</td> </tr> <tr> <td>QA</td> <td></td> </tr> <tr> <td>MFG</td> <td></td> </tr> <tr> <td>ENGINEER SST</td> <td>9/13/2018</td> </tr> <tr> <td>APPROVED JEM</td> <td>9/13/2018</td> </tr> </tbody> </table>		APPROVALS	DATE	DRAWN SST	9/13/2018	CHECKED JEM	9/13/2018	QA		MFG		ENGINEER SST	9/13/2018
APPROVALS	DATE																				
DRAWN SST	9/13/2018																				
CHECKED JEM	9/13/2018																				
QA																					
MFG																					
ENGINEER SST	9/13/2018																				
APPROVED JEM	9/13/2018																				
<table border="1"> <thead> <tr> <th>B</th> <th>PER ECN 13292</th> <th>4/22/19</th> <th>JEM</th> </tr> </thead> <tbody> <tr> <td>A</td> <td>REL. PER ECN 13097</td> <td>9/13/18</td> <td>JEM</td> </tr> <tr> <th>REV</th> <th>DESCRIPTION</th> <th>DATE</th> <th>BY</th> </tr> </tbody> </table>		B	PER ECN 13292	4/22/19	JEM	A	REL. PER ECN 13097	9/13/18	JEM	REV	DESCRIPTION	DATE	BY			<p>SIZE B FSCM 58167 DWG NO 178-0081-0670 REV B PLATING OPT. A</p>		<p>SCALE 5 : 1 F.S.R. # SHEET 1 OF 1</p>			
B	PER ECN 13292	4/22/19	JEM																		
A	REL. PER ECN 13097	9/13/18	JEM																		
REV	DESCRIPTION	DATE	BY																		

4

3

2

1