

4

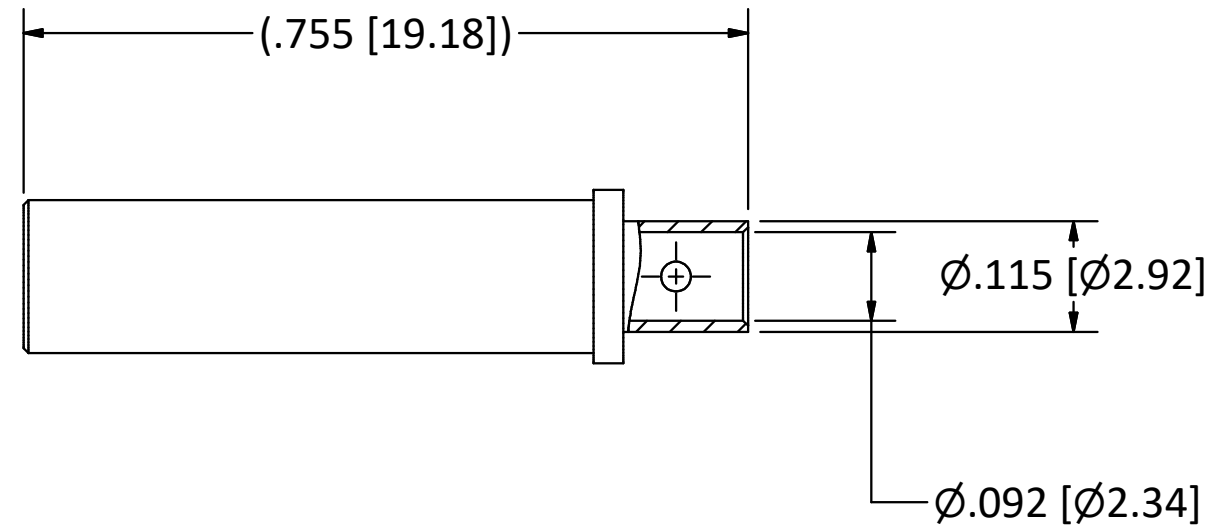
3

2

1

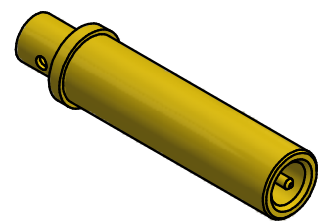
B

B



NOTES:

- 1. SPECIFICATIONS PER IDS-178.
 - 2. ACCOMMODATES RG-405 (.086 SEMI-RIGID) OR EQUIVALENT FLEXIBLE CABLE.
- HOUSING:** MIL-C-38999 SERIES I, III, & IV, SIZE 12 CAVITY.



SCALE 2.5 : 1

4

3

2

1

A

A

<table border="1"> <tr> <td>E</td> <td>PER ECN 13292</td> <td>4/23/19</td> <td>JEM</td> </tr> <tr> <td>D</td> <td>PER ECN 13022</td> <td>6/29/18</td> <td>JEM</td> </tr> <tr> <td>C</td> <td>PER ECN 12972</td> <td>6/4/18</td> <td>JEM</td> </tr> <tr> <td>B</td> <td>PER ECN 12745</td> <td>12/18/17</td> <td>RMB</td> </tr> <tr> <td>A</td> <td>REL. PER ECN 12662</td> <td>10/10/17</td> <td>RMB</td> </tr> <tr> <td>REV</td> <td>DESCRIPTION</td> <td>DATE</td> <td>BY</td> </tr> </table>				E	PER ECN 13292	4/23/19	JEM	D	PER ECN 13022	6/29/18	JEM	C	PER ECN 12972	6/4/18	JEM	B	PER ECN 12745	12/18/17	RMB	A	REL. PER ECN 12662	10/10/17	RMB	REV	DESCRIPTION	DATE	BY	<p>This drawing embodies a proprietary design of The Phoenix Company of Chicago, Inc., Naugatuck, CT 06770. All design, manufacturing, reproduction, use, sale, and other rights regarding the same are expressly reserved. The information in this drawing may be covered completely or in part by patents and/or patents pending.</p>	<p>WARNING - THIS DOCUMENT CONTAINS TECHNICAL DATA WHOSE EXPORT IS RESTRICTED BY THE ARMS EXPORT CONTROL ACT (TITLE 22, U.S.C., SEC 2751, ET. SEQ.) OR THE EXPORT ADMINISTRATION ACT OF 1979, AS AMENDED, TITLE 50, U.S.C., APP 2401 ET SEQ. VIOLATIONS OF THESE EXPORT LAWS ARE SUBJECT TO SEVERE CRIMINAL PENALTIES. DISSEMINATE IN ACCORDANCE WITH PROVISIONS OF DOD DIRECTIVE 5230.25.</p>	<p>Filename: \\Autodesk Inventor Data Base\Assemblies\78 Series\78-1080-0670-CU-Layout for C Sized Drawing.idw</p>		<p>The PHOENIX Company of Chicago, Inc.</p> <p>22 GREAT HILL RD., NAUGATUCK, CT 06770 WWW.PHOENIXOFCHICAGO.COM</p> <p>PHONE: (800) 323-9562 FAX:(630) 206-1801</p>	
				E	PER ECN 13292	4/23/19	JEM																										
D	PER ECN 13022	6/29/18	JEM																														
C	PER ECN 12972	6/4/18	JEM																														
B	PER ECN 12745	12/18/17	RMB																														
A	REL. PER ECN 12662	10/10/17	RMB																														
REV	DESCRIPTION	DATE	BY																														
<p>UNLESS OTHERWISE SPECIFIED, PHOENIX WORKMANSHIP STANDARDS APPLY DIMENSIONS IN INCHES OR (METRIC)</p> <p>DO NOT SCALE PRINTS</p> <p>TOLERANCES ARE: FRACTIONS: ± 1/64 DECIMALS: .XX ± .01 .XXX ± .003 ANGLES: ± 1/2°</p>	<table border="1"> <tr> <th>APPROVALS</th> <th>DATE</th> </tr> <tr> <td>DRAWN JEM</td> <td>10/11/2017</td> </tr> <tr> <td>CHECKED RMB</td> <td>10/11/2017</td> </tr> <tr> <td>QA</td> <td></td> </tr> <tr> <td>MFG</td> <td></td> </tr> <tr> <td>ENGINEER JEM</td> <td>10/11/2017</td> </tr> <tr> <td>APPROVED RMB</td> <td>10/11/2017</td> </tr> </table>	APPROVALS	DATE	DRAWN JEM	10/11/2017	CHECKED RMB	10/11/2017	QA		MFG		ENGINEER JEM	10/11/2017	APPROVED RMB	10/11/2017	<p>TITLE PkZ® RECEPTACLE, DIRECT SOLDER TERMINATION</p>		<p>SIZE B</p>	<p>FSCM 58167</p>	<p>DWG NO 178-1021-0863</p>	<p>REV A</p>	<p>PLATING OPT. A, C</p>											
APPROVALS	DATE																																
DRAWN JEM	10/11/2017																																
CHECKED RMB	10/11/2017																																
QA																																	
MFG																																	
ENGINEER JEM	10/11/2017																																
APPROVED RMB	10/11/2017																																
SCALE 5 : 1		F.S.R. #		SHEET 1 OF 1																													