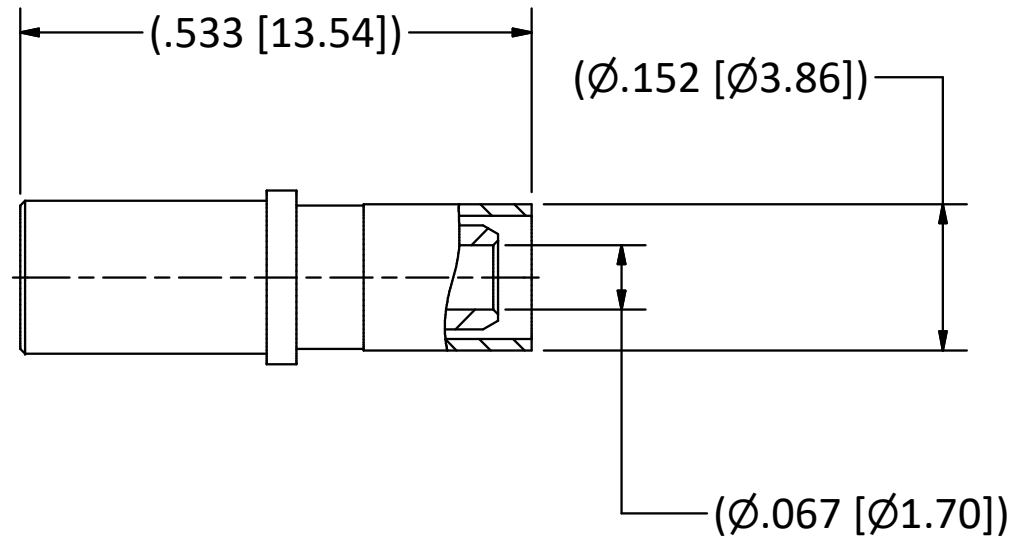
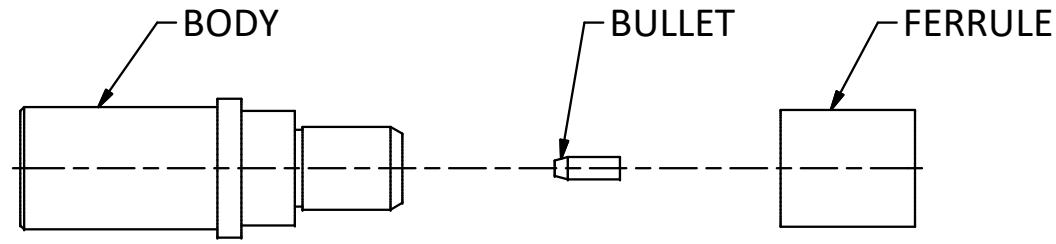


4

3

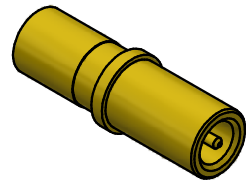
2

1



NOTES:

- 1. SPECIFICATIONS PER IDS-178.
 - 2. BULLET AND FERRULE SHIPPED LOOSE.
 - 3. ACCOMMODATES RG-174, RG-179, RG-187, RG-188, OR RG-316 CABLE.
 - 4. FREQUENCY RANGE: DC TO 3 GHz.
- HOUSING:** MIL-C-38999 SERIES II AND MIGHTY MOUSE SERIES 80, SIZE 12 CAVITY.



SCALE 2.5 : 1

<p>This drawing embodies a proprietary design of The Phoenix Company of Chicago, Inc., Naugatuck, CT 06770. All design, manufacturing, reproduction, use, sale, and other rights regarding the same are expressly reserved. The information in this drawing may be covered completely or in part by patents and/or patents pending.</p>				<p>WARNING - THIS DOCUMENT CONTAINS TECHNICAL DATA WHOSE EXPORT IS RESTRICTED BY THE ARMS EXPORT CONTROL ACT (TITLE 22, U.S.C., SEC 2751, ET. SEQ.) OR THE EXPORT ADMINISTRATION ACT OF 1979, AS AMENDED, TITLE 50, U.S.C., APP 2401 ET SEQ. VIOLATIONS OF THESE EXPORT LAWS ARE SUBJECT TO SEVERE CRIMINAL PENALTIES. DISSEMINATE IN ACCORDANCE WITH PROVISIONS OF DOD DIRECTIVE 5230.25.</p>		<p>Filename: \\Autodesk Inventor Data Base\Assemblies\78 Series\78-1080-0670-CU-Layout for C Sized Drawing.idw</p>		<p>The PHOENIX Company of Chicago, Inc. 22 GREAT HILL RD., NAUGATUCK, CT 06770 WWW.PHOENIXOFCHICAGO.COM PHONE: (800) 323-9562 FAX:(630) 206-1801</p>													
						<p>UNLESS OTHERWISE SPECIFIED, PHOENIX WORKMANSHIP STANDARDS APPLY DIMENSIONS IN INCHES OR (METRIC)</p> <p>DO NOT SCALE PRINTS</p> <p>TOLERANCES ARE: FRACTIONS: ± 1/64 DECIMALS: .XX ± .01 .XXX ± .003 ANGLES: ± 1/2°</p>		<table border="1"> <thead> <tr> <th>APPROVALS</th> <th>DATE</th> </tr> </thead> <tbody> <tr> <td>DRAWN SS</td> <td>2/16/2018</td> </tr> <tr> <td>CHECKED JEM</td> <td>2/16/2018</td> </tr> <tr> <td>QA</td> <td></td> </tr> <tr> <td>MFG</td> <td></td> </tr> <tr> <td>ENGINEER SPS</td> <td>2/16/2018</td> </tr> <tr> <td>APPROVED JEM</td> <td>2/16/2018</td> </tr> </tbody> </table>		APPROVALS	DATE	DRAWN SS	2/16/2018	CHECKED JEM	2/16/2018	QA		MFG		ENGINEER SPS	2/16/2018
APPROVALS	DATE																				
DRAWN SS	2/16/2018																				
CHECKED JEM	2/16/2018																				
QA																					
MFG																					
ENGINEER SPS	2/16/2018																				
APPROVED JEM	2/16/2018																				
<table border="1"> <thead> <tr> <th>A</th> <th>REL PER ECN</th> <th>DATE</th> <th>BY</th> </tr> </thead> <tbody> <tr> <td>REL PER ECN 13395</td> <td>7/10/19</td> <td>JEM</td> <td></td> </tr> <tr> <th>REV</th> <th>DESCRIPTION</th> <th>DATE</th> <th>BY</th> </tr> </tbody> </table>		A	REL PER ECN	DATE	BY	REL PER ECN 13395	7/10/19	JEM		REV	DESCRIPTION	DATE	BY	<p>SIZE B FSCM 58167 DWG NO 178-1083-0670</p>		<p>REV A PLATING OPT. A, B, C, D</p>		<p>SCALE 2.5 : 1 F.S.R. # SHEET 1 OF 1</p>			
A	REL PER ECN	DATE	BY																		
REL PER ECN 13395	7/10/19	JEM																			
REV	DESCRIPTION	DATE	BY																		

4

3

2

1