

4

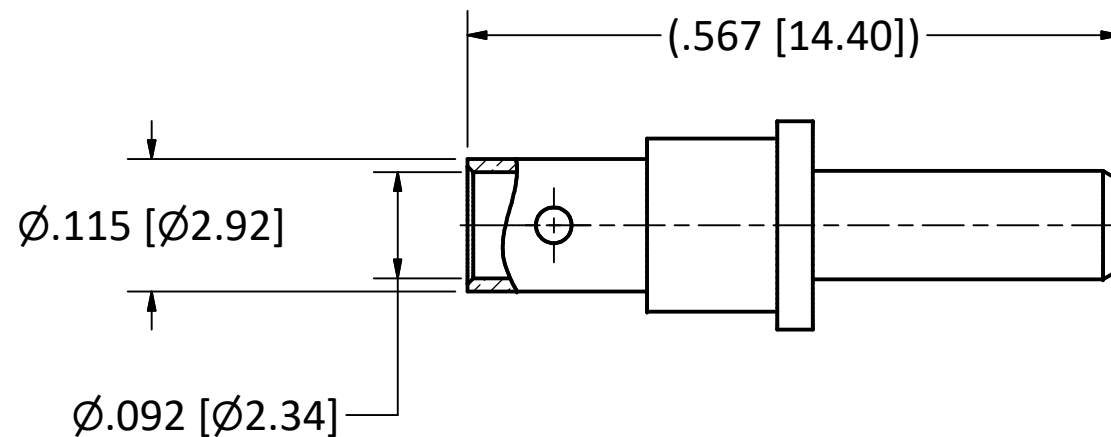
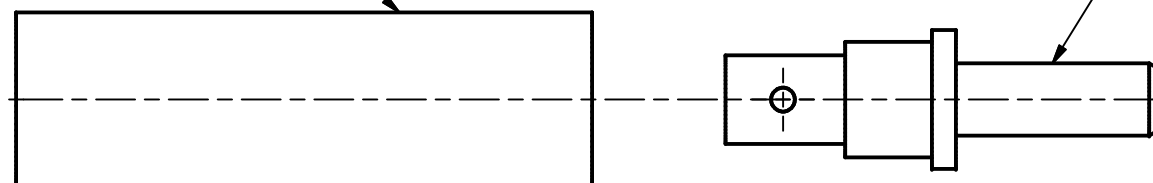
3

2

1

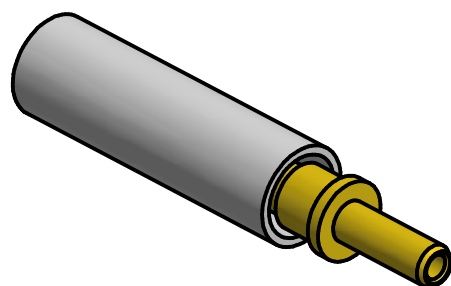
SHRINK TUBING

PLUG



NOTES:

- 1. SPECIFICATIONS PER IDS-178L.
- 2. SHRINK TUBING SUPPLIED LOOSE.
- 3. ACCOMMODATES RG-405 (.086 SEMI-RIGID) OR EQUIVALENT FLEXIBLE CABLE.
- 4. FREQUENCY: DC TO 18 GHz.
- 5. HOUSING: MIL-C-38999 SERIES I-IV AND MIGHTY MOUSE HOUSINGS, SIZE 12 CAVITY.
- 6. DOES NOT MATE WITH OTHER INDUSTRY-STANDARD SIZE 12 CONTACTS.



SCALE 2.5 : 1

<table border="1"> <tr> <td>A</td> <td>PER ECN 14391</td> <td>4/18/2024</td> <td>SPS</td> </tr> <tr> <td>REV</td> <td>DESCRIPTION</td> <td>DATE</td> <td>BY</td> </tr> </table>				A	PER ECN 14391	4/18/2024	SPS	REV	DESCRIPTION	DATE	BY	<p>THE INFORMATION AND DESIGNS DISCLOSED IN THIS DOCUMENT ARE CONFIDENTIAL AND/OR PROPRIETARY TO THE PHOENIX COMPANY OF CHICAGO INC. AND MAY NOT BE USED FOR MANUFACTURING, REPRODUCED, DISCLOSED TO OTHERS OR FOR ANY OTHER PURPOSE WITHOUT THE EXPRESS WRITTEN CONSENT OF THE PHOENIX COMPANY OF CHICAGO INC.</p>	<p>WARNING - THIS DOCUMENT CONTAINS TECHNICAL DATA WHOSE EXPORT IS RESTRICTED BY THE ARMS EXPORT CONTROL ACT (TITLE 22, U.S.C., SEC 2751, ET. SEQ.) OR THE EXPORT ADMINISTRATION ACT OF 1979, AS AMENDED, TITLE 50, U.S.C., APP 2401 ET SEQ. VIOLATIONS OF THESE EXPORT LAWS ARE SUBJECT TO SEVERE CRIMINAL PENALTIES. DISSEMINATE IN ACCORDANCE WITH PROVISIONS OF DOD DIRECTIVE 5230.25.</p>	<p>UNLESS OTHERWISE SPECIFIED, PHOENIX WORKMANSHIP STANDARDS APPLY DIMENSIONS IN INCHES OR (METRIC)</p>		<p>APPROVALS</p>		<p>DATE</p>		<p>The PHOENIX Company of Chicago, Inc.</p> <p>22 GREAT HILL RD., NAUGATUCK, CT 06770 WWW.PHOENIXOFCHICAGO.COM</p> <p>PHONE: (800) 323-9562 FAX:(630) 206-1801</p>			
				A	PER ECN 14391	4/18/2024	SPS																
REV	DESCRIPTION	DATE	BY																				
<p>DO NOT SCALE PRINTS</p> <p>TOLERANCES ARE: FRACTIONS: $\pm 1/64$ DECIMALS: $.XX \pm .01$ $.XXX \pm .003$ ANGLES: $\pm 1/2^\circ$</p>		<p>DRAWN</p> <p>RA</p>	<p>4/11/2024</p>	<p>CHECKED</p> <p>SPS</p>	<p>4/11/2024</p>	<p>QA</p>	<p>MFG</p>	<p>TITLE</p> <p>PKZ® PLUG, DIRECT SOLDER TERMINATION</p>															
				<p>ENGINEER</p> <p>SPS</p>	<p>4/11/2024</p>	<p>APPROVED</p> <p>SPS</p>	<p>4/11/2024</p>	<p>SIZE</p> <p>B</p>	<p>FSCM</p> <p>58167</p>	<p>DWG NO</p> <p>178L-0021-0863</p>	<p>REV</p> <p>A</p>	<p>PLATING OPT.</p> <p>A, C</p>	<p>SCALE</p>		<p>F.S.R. #</p>	<p>SHEET 1 OF 1</p>							

4

3

2

1