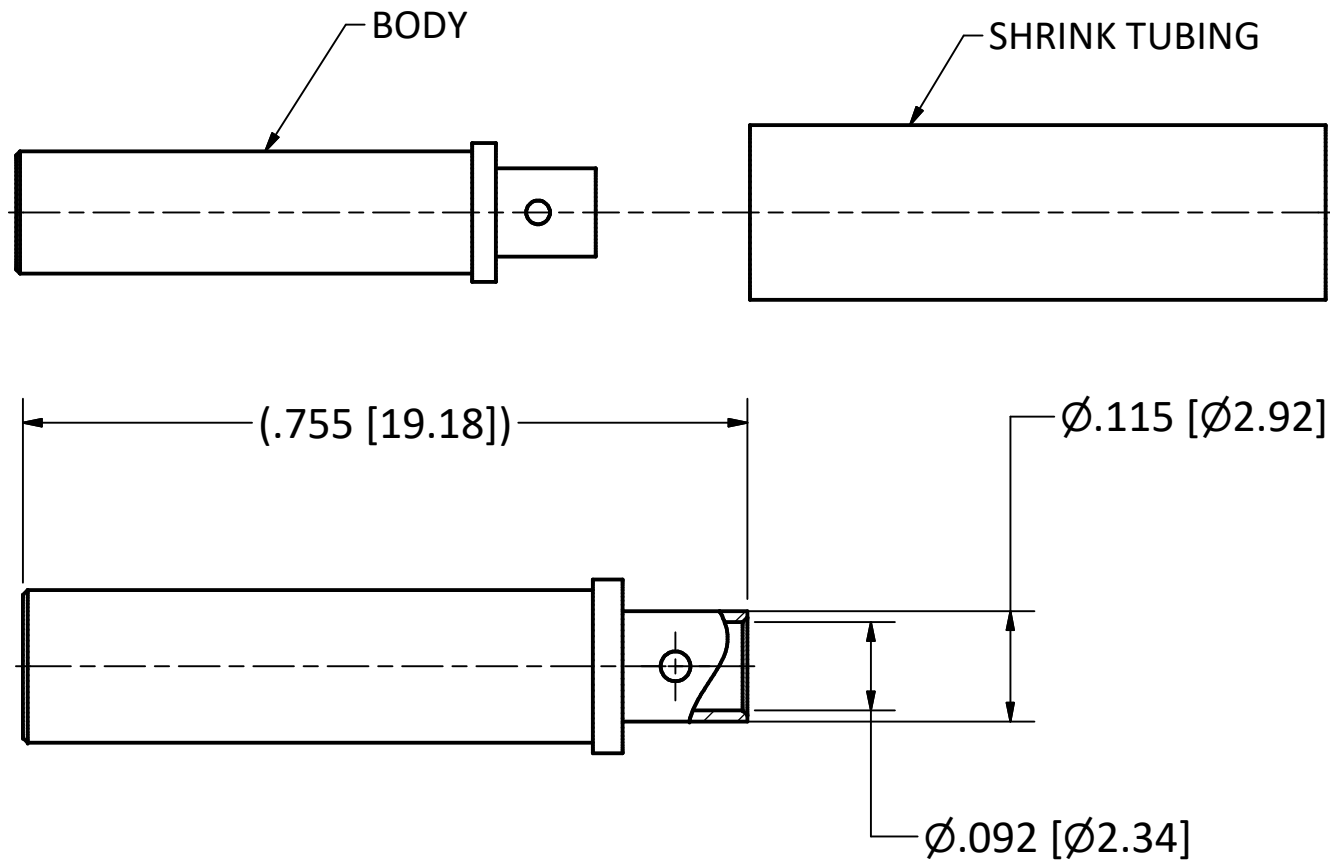


4

3

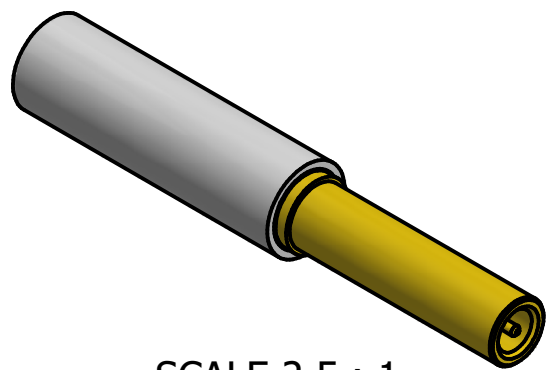
2

1



NOTES:

- 1. SPECIFICATIONS PER IDS-178L.
- 2. SHRINK TUBING SUPPLIED LOOSE.
- 3. ACCOMMODATES RG-405 (.086 SEMI-RIGID) OR EQUIVALENT FLEXIBLE CABLE.
- 4. FREQUENCY: DC TO 18 GHz.
- 5. HOUSING: MIL-C-38999 SERIES I, III, & IV AND MIGHTY MOUSE HOUSINGS, SIZE 12 CAVITY.
- 6. DOES NOT MATE WITH OTHER INDUSTRY-STANDARD SIZE 12 CONTACTS.



SCALE 2.5 : 1

<table border="1"> <tr> <td>A</td> <td>PER ECN 14391</td> <td>4/18/2024</td> <td>SPS</td> </tr> <tr> <td>REV</td> <td>DESCRIPTION</td> <td>DATE</td> <td>BY</td> </tr> </table>				A	PER ECN 14391	4/18/2024	SPS	REV	DESCRIPTION	DATE	BY	<p>This drawing embodies a proprietary design of The Phoenix Company of Chicago, Inc., Naugatuck, CT 06770. All design, manufacturing, reproduction, use, sale, and other rights regarding the same are expressly reserved. The information in this drawing may be covered completely or in part by patents and/or patents pending.</p>	<p>WARNING - THIS DOCUMENT CONTAINS TECHNICAL DATA WHOSE EXPORT IS RESTRICTED BY THE ARMS EXPORT CONTROL ACT (TITLE 22, U.S.C., SEC 2751, ET. SEQ.) OR THE EXPORT ADMINISTRATION ACT OF 1979, AS AMENDED, TITLE 50, U.S.C., APP 2401 ET SEQ. VIOLATIONS OF THESE EXPORT LAWS ARE SUBJECT TO SEVERE CRIMINAL PENALTIES. DISSEMINATE IN ACCORDANCE WITH PROVISIONS OF DOD DIRECTIVE 5230.25.</p>	<p>UNLESS OTHERWISE SPECIFIED, PHOENIX WORKMANSHIP STANDARDS APPLY DIMENSIONS IN INCHES OR (METRIC)</p> <p>DO NOT SCALE PRINTS</p> <p>TOLERANCES ARE: FRACTIONS: ± 1/64 DECIMALS: .XX ± .01 .XXX ± .003 ANGLES: ± 1/2°</p>		<table border="1"> <tr> <th>APPROVALS</th> <th>DATE</th> </tr> <tr> <td>DRAWN RA</td> <td>4/11/2024</td> </tr> <tr> <td>CHECKED SPS</td> <td>4/11/2024</td> </tr> <tr> <td>QA</td> <td></td> </tr> <tr> <td>MFG</td> <td></td> </tr> <tr> <td>ENGINEER SPS</td> <td>4/11/2024</td> </tr> <tr> <td>APPROVED SPS</td> <td>4/18/2024</td> </tr> </table>		APPROVALS	DATE	DRAWN RA	4/11/2024	CHECKED SPS	4/11/2024	QA		MFG		ENGINEER SPS	4/11/2024	APPROVED SPS	4/18/2024	<p>The PHOENIX Company of Chicago, Inc.</p> <p>22 GREAT HILL RD., NAUGATUCK, CT 06770 WWW.PHOENIXOFCHICAGO.COM</p> <p>PHONE: (800) 323-9562 FAX:(630) 206-1801</p>			
				A	PER ECN 14391	4/18/2024	SPS																												
REV	DESCRIPTION	DATE	BY																																
APPROVALS	DATE																																		
DRAWN RA	4/11/2024																																		
CHECKED SPS	4/11/2024																																		
QA																																			
MFG																																			
ENGINEER SPS	4/11/2024																																		
APPROVED SPS	4/18/2024																																		
<p>TITLE</p> <p>PkZ® RECEPTACLE, DIRECT SOLDER TERMINATION</p>						<p>SIZE</p> <p>B</p>	<p>FSCM</p> <p>58167</p>	<p>DWG NO</p> <p>178L-1021-0863</p>	<p>REV</p> <p>A</p>	<p>PLATING OPT.</p> <p>A, C</p>																									
<p>SCALE 5 : 1</p>						<p>F.S.R. #</p>		<p>SHEET 1 OF 1</p>																											

4

3

2

1