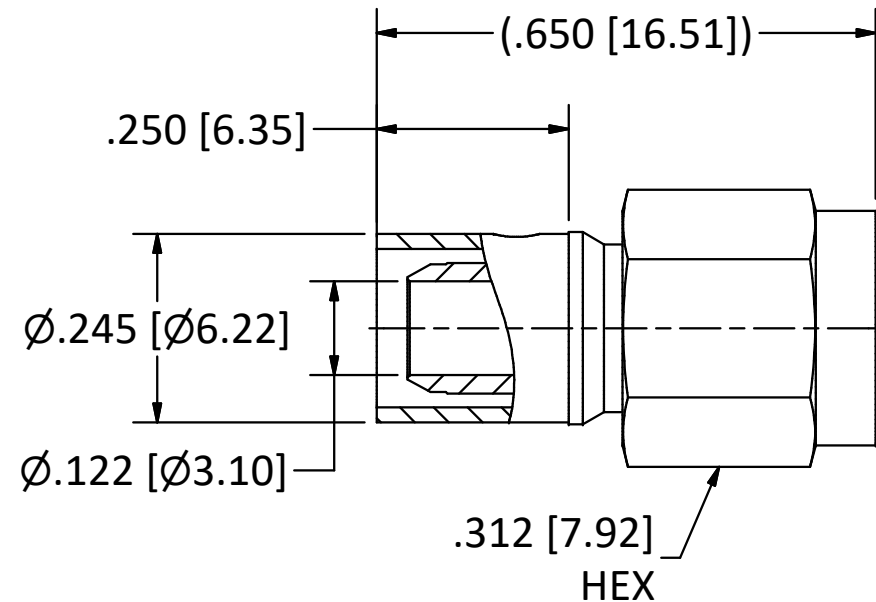
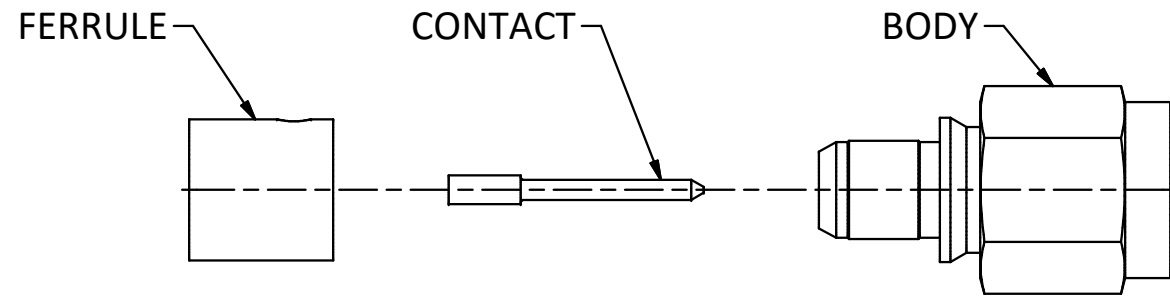


4

3

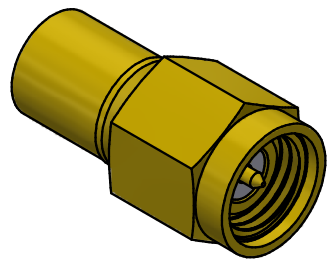
2

1



NOTES:

- 1. SPECIFICATIONS PER IDS-22J.
- 2. CONTACT AND FERRULE SHIPPED LOOSE.
- 3. ACCOMMODATES RG-58, RG-141, OR RG-303 CABLE.
- 4. MAGNETISM: <1.00000 mu.



SCALE 2.5 : 1

B	PER ECN 4698	9/16/98	HN
A	PER ECN 4672	8/27/98	HN
REV.	DESCRIPTION	DATE	BY

This drawing embodies a proprietary design of The Phoenix Company of Chicago, Inc., Naugatuck, CT 06770. All design, manufacturing, reproduction, use, sale, and other rights regarding the same are expressly reserved. The information in this drawing may be covered completely or in part by patents and/or patents pending.

WARNING - THIS DOCUMENT CONTAINS TECHNICAL DATA WHOSE EXPORT IS RESTRICTED BY THE ARMS EXPORT CONTROL ACT (TITLE 22, U.S.C., SEC 2751, ET. SEQ.) OR THE EXPORT ADMINISTRATION ACT OF 1979, AS AMENDED, TITLE 50, U.S.C., APP 2401 ET SEQ. VIOLATIONS OF THESE EXPORT LAWS ARE SUBJECT TO SEVERE CRIMINAL PENALTIES. DISSEMINATE IN ACCORDANCE WITH PROVISIONS OF DOD DIRECTIVE 5230.25.

Filename: ver2\Autodesk Inventor Data Base\Assemblies\2X Series\22-0200-1201J-CU.idw

UNLESS OTHERWISE SPECIFIED, PHOENIX WORKMANSHIP STANDARDS APPLY DIMENSIONS IN INCHES OR (METRIC)

DO NOT SCALE PRINTS
TOLERANCES ARE:
FRACTIONS: ± 1/64
DECIMALS: .XX ± .01
.XXX ± .003
ANGLES: ± 1/2°



APPROVALS	DATE
DRAWN EK	9/1/1998
CHECKED HN	9/1/1998
QA	
MFG	
ENGINEER EK	9/1/1998
APPROVED HN	9/1/1998

The PHOENIX Company of Chicago, Inc.

22 GREAT HILL RD., NAUGATUCK, CT 06770
WWW.PHOENIXOFCHICAGO.COM
PHONE: (800) 323-9562 FAX:(630) 206-1801

TITLE
SMA PLUG, DIRECT SOLDER TERMINATION

SIZE B	FSCM 58167	DWG NO 22-0200-1201J	REV B	PLATING OPT.
SCALE 4 : 1	F.S.R. #	SHEET 1 OF 1		

4

3

2

1