

4

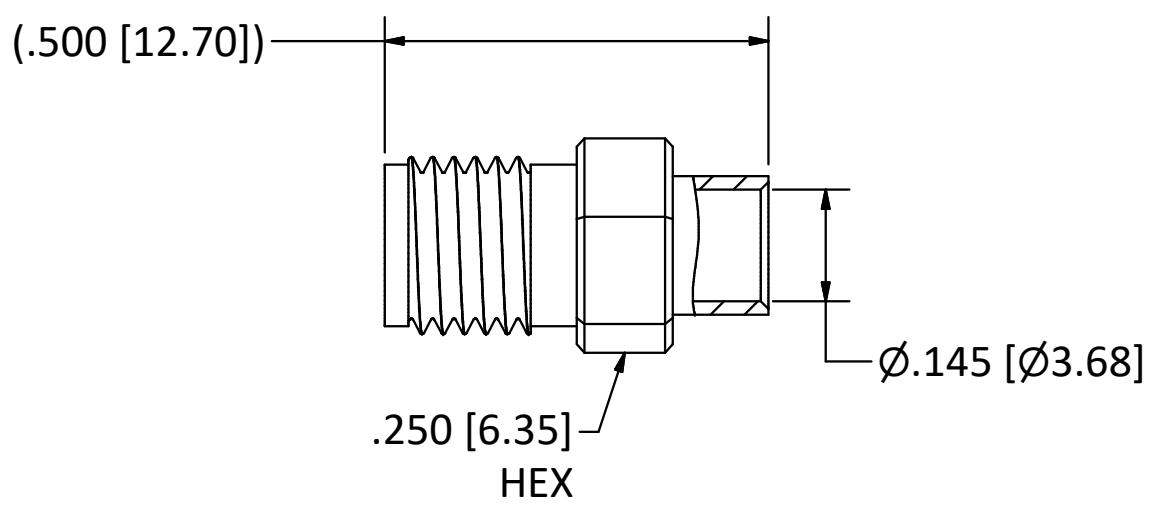
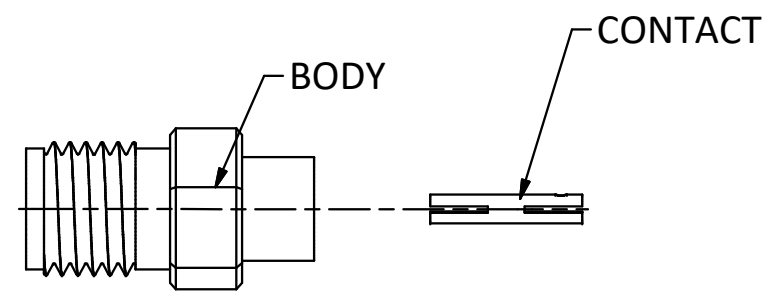
3

2

1

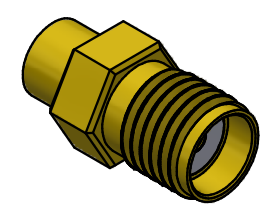
B

B



NOTES:

- 1. SPECIFICATIONS PER IDS-22J.
- 2. CONTACT SHIPPED LOOSE.
- 3. ACCOMMODATES RG-402 (.141 SEMI-RIGID) OR EQUIVALENT FLEXIBLE CABLE.
- 4. MAGNETISM: <1.00000 mu.



SCALE 2.5 : 1

4

3

2

1

A

A

This drawing embodies a proprietary design of The Phoenix Company of Chicago, Inc., Naugatuck, CT 06770. All design, manufacturing, reproduction, use, sale, and other rights regarding the same are expressly reserved. The information in this drawing may be covered completely or in part by patents and/or patents pending.				WARNING - THIS DOCUMENT CONTAINS TECHNICAL DATA WHOSE EXPORT IS RESTRICTED BY THE ARMS EXPORT CONTROL ACT (TITLE 22, U.S.C., SEC 2751, ET. SEQ.) OR THE EXPORT ADMINISTRATION ACT OF 1979, AS AMENDED, TITLE 50, U.S.C., APP 2401 ET SEQ. VIOLATIONS OF THESE EXPORT LAWS ARE SUBJECT TO SEVERE CRIMINAL PENALTIES. DISSEMINATE IN ACCORDANCE WITH PROVISIONS OF DOD DIRECTIVE 5230.25.			Filename: ver2\Autodesk Inventor Data Base\Assemblies\2X Series\22-1200-1418J-CU.idw			<b>The PHOENIX Company of Chicago, Inc.</b> 22 GREAT HILL RD., NAUGATUCK, CT 06770 WWW.PHOENIXOFCHICAGO.COM PHONE: (800) 323-9562 FAX:(630) 206-1801		
							UNLESS OTHERWISE SPECIFIED, PHOENIX WORKMANSHIP STANDARDS APPLY DIMENSIONS IN INCHES OR (METRIC)		APPROVALS DRAWN JEM CHECKED HN QA MFG ENGINEER JEM APPROVED HN			
DO NOT SCALE PRINTS TOLERANCES ARE: FRACTIONS: ± 1/64 DECIMALS: .XX ± .01 .XXX ± .003 ANGLES: ± 1/2°	$\sqrt[32]{}$	SIZE <b>B</b>	FSCM 58167	DWG NO <b>22-1200-1418J</b>		REV <b>B</b>	PLATING OPT.					
B PER ECN 10864 2/14/11 JEM A PER ECN 10836 1/21/11 JEM REV. DESCRIPTION DATE BY	SCALE 2.5 : 1	F.S.R. #		SHEET 1 OF 1								