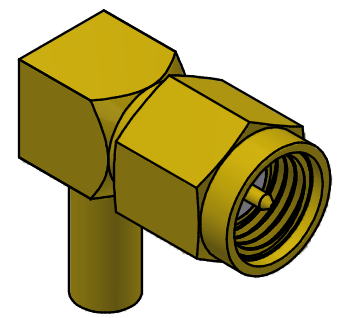


NOTES:

1. SPECIFICATIONS PER IDS-22.
2. EXPANSION PLUG AND FERRULE SHIPPED LOOSE.
3. ACCOMMODATES RG-174, RG-179, RG-187, RG-188, OR RG-316 CABLE.
4. MAGNETISM: < 1.00000 mu.



SCALE 2.5 : 1

REV.	DESCRIPTION	DATE	BY
H	PER ECN 13055	07/31/18	JEM
G	PER ECN 10894	03/10/11	JEM
F	PER ECN 10836	01/26/11	MS
E	PER ECN 10021	09/11/09	JEM

This drawing embodies a proprietary design of The Phoenix Company of Chicago, Inc., Naugatuck, CT 06770. All design, manufacturing, reproduction, use, sale, and other rights regarding the same are expressly reserved. The information in this drawing may be covered completely or in part by patents and/or patents pending.

WARNING - THIS DOCUMENT CONTAINS TECHNICAL DATA WHOSE EXPORT IS RESTRICTED BY THE ARMS EXPORT CONTROL ACT (TITLE 22, U.S.C., SEC 2751, ET. SEQ.) OR THE EXPORT ADMINISTRATION ACT OF 1979, AS AMENDED, TITLE 50, U.S.C., APP 2401 ET SEQ. VIOLATIONS OF THESE EXPORT LAWS ARE SUBJECT TO SEVERE CRIMINAL PENALTIES. DISSEMINATE IN ACCORDANCE WITH PROVISIONS OF DOD DIRECTIVE 5230.25.

Filename: ver2\Autodesk Inventor Data Base\Assemblies\2X Series\22-2800-0670J-CU.idw		
UNLESS OTHERWISE SPECIFIED, PHOENIX WORKMANSHIP STANDARDS APPLY DIMENSIONS IN INCHES OR (METRIC) DO NOT SCALE PRINTS TOLERANCES ARE: FRACTIONS: ± 1/64 DECIMALS: .XX ± .01 .XXX ± .003 ANGLES: ± 1/2°	APPROVALS	DATE
	DRAWN YT	9/11/2009
	CHECKED JEM	9/11/2009
	QA	
	MFG	
	ENGINEER YT	9/11/2009
APPROVED JEM	8/11/2009	

The PHOENIX Company of Chicago, Inc.			
22 GREAT HILL RD., NAUGATUCK, CT 06770 WWW.PHOENIXOFCHICAGO.COM PHONE: (800) 323-9562 FAX:(630) 206-1801			
TITLE SMA PLUG, R/A CRIMP TYPE			
SIZE B	FSCM 58167	DWG NO 22-2800-0670J	REV H
SCALE 4 : 1	F.S.R. #	SHEET 1	OF 1