

4

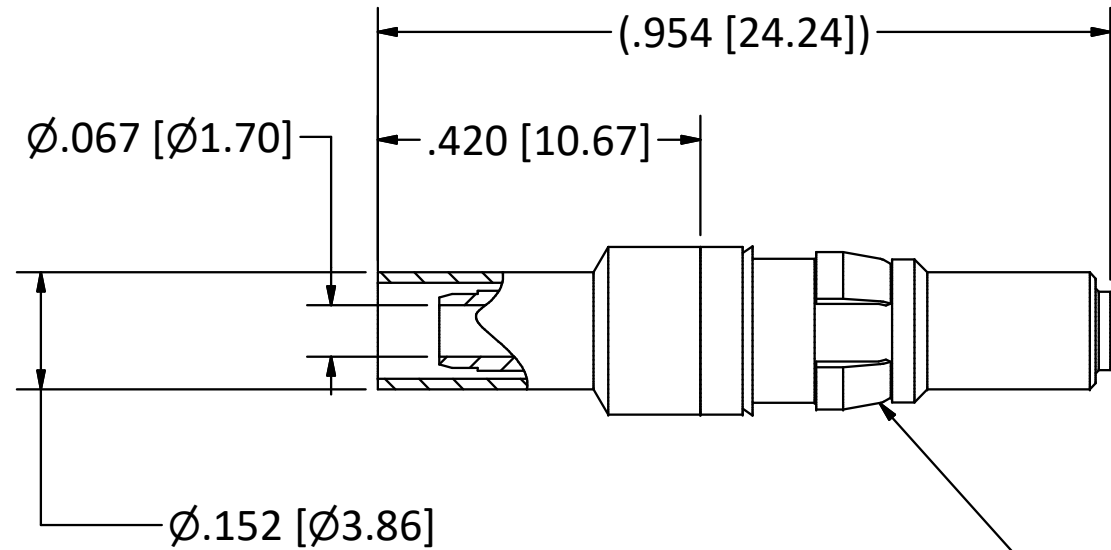
3

2

1

FERRULE

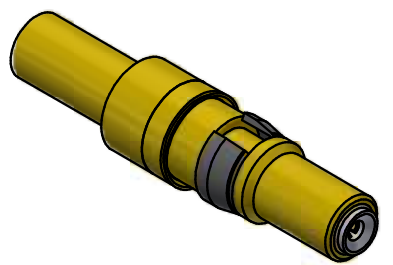
BODY



CLIP RING

NOTES:

- 1. SPECIFICATIONS PER IDS-24J.
- 2. FERRULE SHIPPED LOOSE.
- 3. ACCOMMODATES RG-174, RG-179, RG-187, RG-188, OR RG-316 CABLE.
- 4. MAGNETISM: <1.00000 mu.



SCALE 2.5 : 1

This drawing embodies a proprietary design of The Phoenix Company of Chicago, Inc., Naugatuck, CT 06770. All design, manufacturing, reproduction, use, sale, and other rights regarding the same are expressly reserved. The information in this drawing may be covered completely or in part by patents and/or patents pending.				WARNING - THIS DOCUMENT CONTAINS TECHNICAL DATA WHOSE EXPORT IS RESTRICTED BY THE ARMS EXPORT CONTROL ACT (TITLE 22, U.S.C., SEC 2751, ET. SEQ.) OR THE EXPORT ADMINISTRATION ACT OF 1979, AS AMENDED, TITLE 50, U.S.C., APP 2401 ET SEQ. VIOLATIONS OF THESE EXPORT LAWS ARE SUBJECT TO SEVERE CRIMINAL PENALTIES. DISSEMINATE IN ACCORDANCE WITH PROVISIONS OF DOD DIRECTIVE 5230.25.		Filename: ver2\Autodesk Inventor Data Base\Assemblies\24 Series\24-0080-0670J-CU.idw		<b>The PHOENIX Company of Chicago, Inc.</b> 22 GREAT HILL RD., NAUGATUCK, CT 06770 WWW.PHOENIXOFCHICAGO.COM PHONE: (800) 323-9562 FAX:(630) 206-1801											
						UNLESS OTHERWISE SPECIFIED, PHOENIX WORKMANSHIP STANDARDS APPLY DIMENSIONS IN INCHES OR (METRIC)  DO NOT SCALE PRINTS  TOLERANCES ARE: FRACTIONS: $\pm 1/64$ DECIMALS: .XX $\pm .01$ .XXX $\pm .003$ ANGLES: $\pm 1/2^\circ$				<table border="1"> <thead> <tr> <th>APPROVALS</th> <th>DATE</th> </tr> </thead> <tbody> <tr> <td>DRAWN RVR</td> <td>12/4/2002</td> </tr> <tr> <td>CHECKED HN</td> <td>12/4/2002</td> </tr> <tr> <td>QA</td> <td></td> </tr> <tr> <td>MFG</td> <td></td> </tr> <tr> <td>ENGINEER EW</td> <td>12/4/2002</td> </tr> <tr> <td>APPROVED HN</td> <td>12/4/2002</td> </tr> </tbody> </table>		APPROVALS	DATE	DRAWN RVR	12/4/2002	CHECKED HN	12/4/2002	QA	
APPROVALS	DATE																		
DRAWN RVR	12/4/2002																		
CHECKED HN	12/4/2002																		
QA																			
MFG																			
ENGINEER EW	12/4/2002																		
APPROVED HN	12/4/2002																		
<table border="1"> <thead> <tr> <th>REV.</th> <th>DESCRIPTION</th> <th>DATE</th> <th>BY</th> </tr> </thead> <tbody> <tr> <td>K</td> <td>PER ECN 6825</td> <td>12/04/02</td> <td>HN</td> </tr> </tbody> </table>		REV.	DESCRIPTION	DATE	BY	K	PER ECN 6825	12/04/02	HN	SIZE <b>B</b>		FSCM 58167		DWG NO <b>24-0080-0670J</b>		REV K		PLATING OPT.	
REV.	DESCRIPTION	DATE	BY																
K	PER ECN 6825	12/04/02	HN																
				SCALE 4 : 1		F.S.R. #		SHEET 1 OF 1											

4

3

2

1