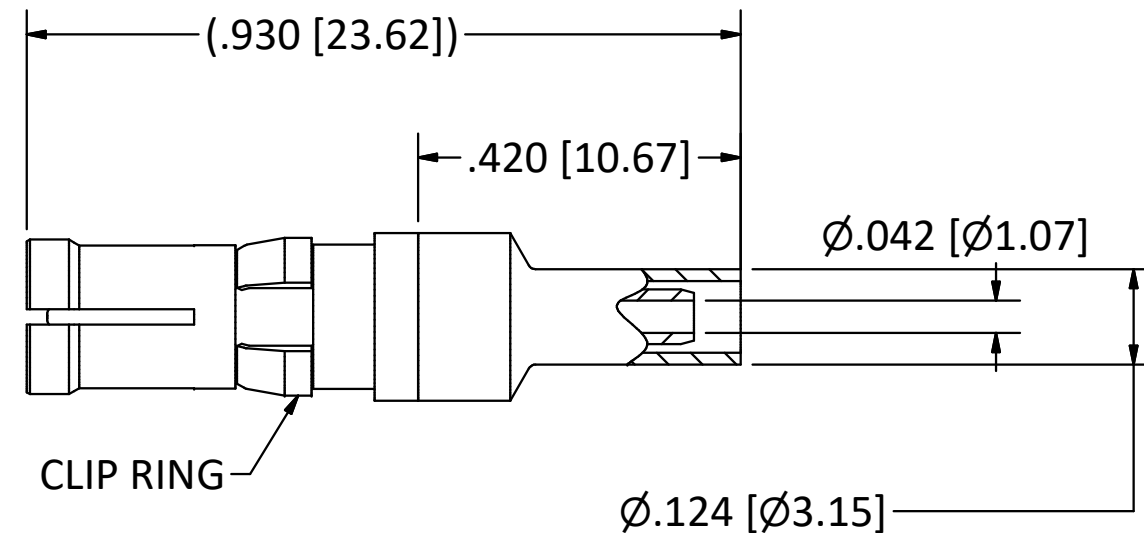
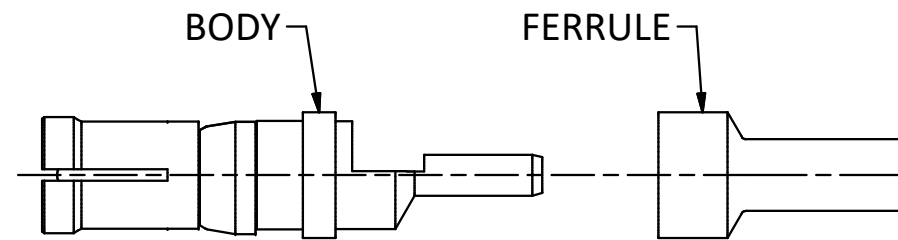


4

3

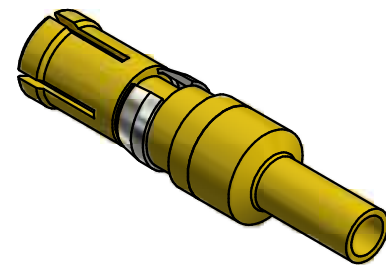
2

1



NOTES:

- 1. SPECIFICATIONS PER IDS-24J.
- 2. FERRULE SHIPPED LOOSE.
- 3. ACCOMMODATES RG-178 OR RG-196 CABLE.
- 4. MAGNETISM: <1.00000 mu.



SCALE 2.5 : 1

This drawing embodies a proprietary design of The Phoenix Company of Chicago, Inc., Naugatuck, CT 06770. All design, manufacturing, reproduction, use, sale, and other rights regarding the same are expressly reserved. The information in this drawing may be covered completely or in part by patents and/or patents pending.				WARNING - THIS DOCUMENT CONTAINS TECHNICAL DATA WHOSE EXPORT IS RESTRICTED BY THE ARMS EXPORT CONTROL ACT (TITLE 22, U.S.C., SEC 2751, ET. SEQ.) OR THE EXPORT ADMINISTRATION ACT OF 1979, AS AMENDED, TITLE 50, U.S.C., APP 2401 ET SEQ. VIOLATIONS OF THESE EXPORT LAWS ARE SUBJECT TO SEVERE CRIMINAL PENALTIES. DISSEMINATE IN ACCORDANCE WITH PROVISIONS OF DOD DIRECTIVE 5230.25.		Filename: ver2\Autodesk Inventor Data Base\Assemblies\24 Series\24-1080-0400J-CU.idw		The PHOENIX Company of Chicago, Inc. 22 GREAT HILL RD., NAUGATUCK, CT 06770 WWW.PHOENIXOFCHICAGO.COM PHONE: (800) 323-9562 FAX:(630) 206-1801											
						UNLESS OTHERWISE SPECIFIED, PHOENIX WORKMANSHIP STANDARDS APPLY DIMENSIONS IN INCHES OR (METRIC) DO NOT SCALE PRINTS TOLERANCES ARE: FRACTIONS: ± 1/64 DECIMALS: .XX ± .01 .XXX ± .003 ANGLES: ± 1/2°				<table border="1"> <thead> <tr> <th>APPROVALS</th> <th>DATE</th> </tr> </thead> <tbody> <tr> <td>DRAWN MY</td> <td>11/18/1983</td> </tr> <tr> <td>CHECKED HN</td> <td>11/18/1983</td> </tr> <tr> <td>QA</td> <td></td> </tr> <tr> <td>MFG</td> <td></td> </tr> <tr> <td>ENGINEER HN</td> <td>11/18/1983</td> </tr> <tr> <td>APPROVED HN</td> <td>11/18/1983</td> </tr> </tbody> </table>		APPROVALS	DATE	DRAWN MY	11/18/1983	CHECKED HN	11/18/1983	QA	
APPROVALS	DATE																		
DRAWN MY	11/18/1983																		
CHECKED HN	11/18/1983																		
QA																			
MFG																			
ENGINEER HN	11/18/1983																		
APPROVED HN	11/18/1983																		
F	PER ECN 7617	09/10/04	JEM	SIZE	FSCM	DWG NO	REV	PLATING OPT.											
REV.	DESCRIPTION	DATE	BY	B	58167	24-1080-0400J	F												
				SCALE	2.5 : 1	F.S.R. #	SHEET 1 OF 1												

4

3

2

1