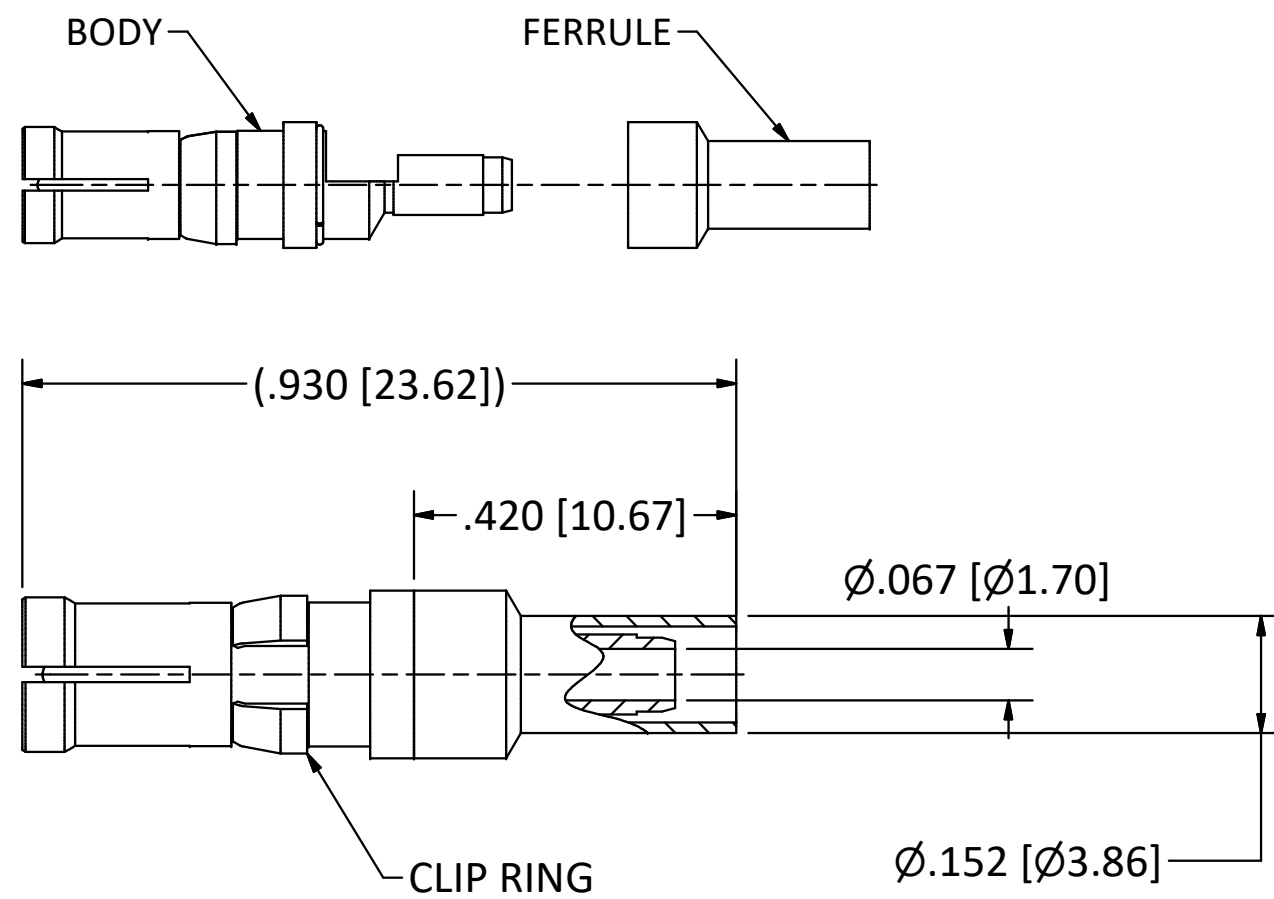


4

3

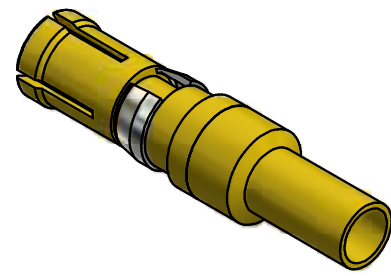
2

1



NOTES:

- 1. SPECIFICATIONS PER IDS-24J.
- 2. FERRULE SHIPPED LOOSE.
- 3. ACCOMMODATES RG-174, RG-179, RG-187, RG-188, OR RG-316 CABLE.
- 4. MAGNETISM: <1.00000 mu.



SCALE 2.5 : 1

This drawing embodies a proprietary design of The Phoenix Company of Chicago, Inc., Naugatuck, CT 06770. All design, manufacturing, reproduction, use, sale, and other rights regarding the same are expressly reserved. The information in this drawing may be covered completely or in part by patents and/or patents pending.				WARNING - THIS DOCUMENT CONTAINS TECHNICAL DATA WHOSE EXPORT IS RESTRICTED BY THE ARMS EXPORT CONTROL ACT (TITLE 22, U.S.C., SEC 2751, ET. SEQ.) OR THE EXPORT ADMINISTRATION ACT OF 1979, AS AMENDED, TITLE 50, U.S.C., APP 2401 ET SEQ. VIOLATIONS OF THESE EXPORT LAWS ARE SUBJECT TO SEVERE CRIMINAL PENALTIES. DISSEMINATE IN ACCORDANCE WITH PROVISIONS OF DOD DIRECTIVE 5230.25.		Filename: ver2\Autodesk Inventor Data Base\Assemblies\24 Series\24-1080-0670J-CU.idw		<b>The PHOENIX Company of Chicago, Inc.</b> 22 GREAT HILL RD., NAUGATUCK, CT 06770 WWW.PHOENIXOFCHICAGO.COM PHONE: (800) 323-9562 FAX:(630) 206-1801											
						UNLESS OTHERWISE SPECIFIED, PHOENIX WORKMANSHIP STANDARDS APPLY DIMENSIONS IN INCHES OR (METRIC)  DO NOT SCALE PRINTS  TOLERANCES ARE: FRACTIONS: ± 1/64 DECIMALS: .XX ± .01 .XXX ± .003 ANGLES: ± 1/2°				<table border="1"> <thead> <tr> <th>APPROVALS</th> <th>DATE</th> </tr> </thead> <tbody> <tr> <td>DRAWN EY</td> <td>8/1/1989</td> </tr> <tr> <td>CHECKED HN</td> <td>8/1/1989</td> </tr> <tr> <td>QA</td> <td></td> </tr> <tr> <td>MFG</td> <td></td> </tr> <tr> <td>ENGINEER YT</td> <td>8/1/1989</td> </tr> <tr> <td>APPROVED HN</td> <td>8/1/1989</td> </tr> </tbody> </table>		APPROVALS	DATE	DRAWN EY	8/1/1989	CHECKED HN	8/1/1989	QA	
APPROVALS	DATE																		
DRAWN EY	8/1/1989																		
CHECKED HN	8/1/1989																		
QA																			
MFG																			
ENGINEER YT	8/1/1989																		
APPROVED HN	8/1/1989																		
<table border="1"> <thead> <tr> <th>REV.</th> <th>DESCRIPTION</th> <th>DATE</th> <th>BY</th> </tr> </thead> <tbody> <tr> <td>F</td> <td>PER ECN 7144</td> <td>08/15/03</td> <td>HN</td> </tr> </tbody> </table>		REV.	DESCRIPTION	DATE	BY	F	PER ECN 7144	08/15/03	HN	SIZE <b>B</b> FSCM 58167 DWG NO <b>24-1080-0670J</b> REV F PLATING OPT.		SCALE 4 : 1 F.S.R. # SHEET 1 OF 1							
REV.	DESCRIPTION	DATE	BY																
F	PER ECN 7144	08/15/03	HN																

4

3

2

1