

4

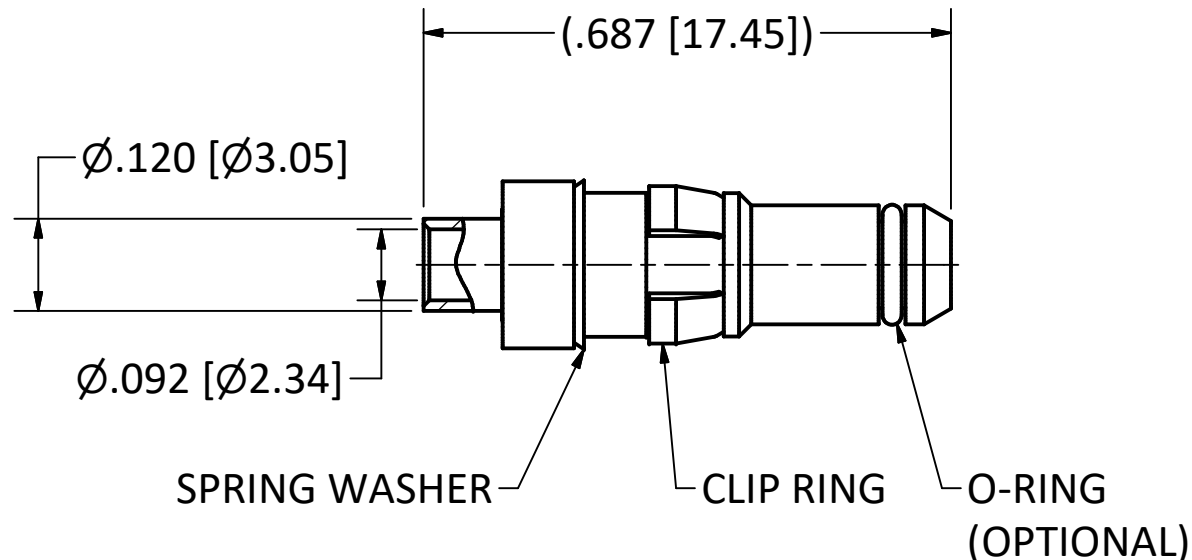
3

2

1

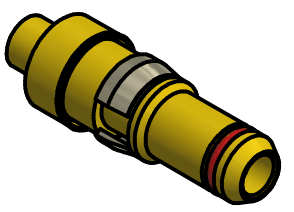
B

B



NOTES:  
 1. SPECIFICATIONS PER IDS-26.  
 2. ACCOMMODATES RG-405 (.086 SEMI-RIGID) OR EQUIVALENT FLEXIBLE CABLE.  
**HOUSING:** D-SUBMINIATURE, SIZE 8 CAVITY.

PART NUMBER	O-RING OPTIONS
26-0020-0860	NONE
26-0021-0860	ENVIRONMENTAL
26-0023-0860	EMI SPRING
26-0025-0860	GROUNDING RING



SCALE 2.5: 1

REV	DESCRIPTION	DATE	BY
K	PER ECN 10538	8/18/10	JEM
H	PER ECN 10442	6/30/10	JEM
G	PER ECN 10224	3/9/10	JEM
F	PER ECN 9912	5/6/09	JEM
E	PER ECN 9366	11/18/08	JEM

This drawing embodies a proprietary design of The Phoenix Company of Chicago, Inc., Naugatuck, CT 06770. All design, manufacturing, reproduction, use, sale, and other rights regarding the same are expressly reserved. The information in this drawing may be covered completely or in part by patents and/or patents pending.

WARNING - THIS DOCUMENT CONTAINS TECHNICAL DATA WHOSE EXPORT IS RESTRICTED BY THE ARMS EXPORT CONTROL ACT (TITLE 22, U.S.C., SEC 2751, ET. SEQ.) OR THE EXPORT ADMINISTRATION ACT OF 1979, AS AMENDED, TITLE 50, U.S.C., APP 2401 ET SEQ. VIOLATIONS OF THESE EXPORT LAWS ARE SUBJECT TO SEVERE CRIMINAL PENALTIES. DISSEMINATE IN ACCORDANCE WITH PROVISIONS OF DOD DIRECTIVE 5230.25.

Filename: ver2\Autodesk Inventor Data Base\Assemblies\26 Series\26-002X-0860-CU.idw

UNLESS OTHERWISE SPECIFIED, PHOENIX WORKMANSHIP STANDARDS APPLY DIMENSIONS IN INCHES OR (METRIC)	APPROVALS	DATE
DO NOT SCALE PRINTS TOLERANCES ARE: FRACTIONS: $\pm 1/64$ DECIMALS: $.XX \pm .01$ $.XXX \pm .003$ ANGLES: $\pm 1/2^\circ$	DRAWN	3/19/1996
	CHECKED	3/19/1996
	QA	
	MFG	
	ENGINEER	3/19/1996
	APPROVED	3/19/1996

**The PHOENIX Company of Chicago, Inc.**  
 22 GREAT HILL RD., NAUGATUCK, CT 06770  
 WWW.PHOENIXOFCHICAGO.COM  
 PHONE: (800) 323-9562 FAX:(630) 206-1801

TITLE: **PKZ<sup>®</sup> PLUG, DIRECT SOLDER TERMINATION**

SIZE	FSCM	DWG NO	REV	PLATING OPT.
B	58167	<b>26-002X-0860</b>	K	A, B, C, D

SCALE 4 : 1 F.S.R. # SHEET 1 OF 1

4

3

2

1

A

A